

MEKFARMER 150



ERPICE ROTANTE FISSO



Manuale d'uso e manutenzione "Istruzioni Originali"

- Prima di iniziare ad operare, leggere attentamente le istruzioni per l'uso
- Conservare il presente manuale per futura consultazione



Operating and Maintenance Manual "Original Instructions"

- Read these operating instructions carefully before using the machine
- Keep this manual for future reference

Manuel d'utilisation et d'entretien "Instructions Originales"

- Avant de commencer le travail, lisez attentivement les consignes d'utilisation
- Conservez ce manuel pour référence future

Betriebs- und Wartungsanleitung "Originalbetriebsanleitung"

- Bevor Sie mit der Arbeit beginnen, lesen Sie diese Betriebsanleitungen aufmerksam durch
- Bewahren Sie dieses Handbuch zum Nachschlagen

Manual de empleo y mantenimiento "Instrucciones Originales"

- Antes de empezar a operar con la máquina, leer atentamente las instrucciones para el empleo
- Mantenga este manual como referencia futura

Questo manuale è valido dalla matricola - This manual is valid from serial number - Ce manuel est valable à partir du numéro de série - Diese Handbuch ist gültig ab Seriennummer - Este manual es válido a partir del número de serie 2017E3100321

Codice documento - Document code - Code du document - Dokument
Ref. - Signatura del documento E3100008

Revisione n°/in data - Review #/Date - Révision n°/Date - Überprüfung
Nr./am - Revisión No./fecha 11 / 25.10.2017

Copia della Dichiarazione CE di Conformità • Copy of the EC Declaration of Conformity • Copie de la déclaration de conformité CE • Das Kopie der EG-Konformitätserklärung • Copia de la declaración de conformidad CE



BREVIGLIERI S.P.A. via Labriola, 2 - 37054 Nogara (Verona) Italia



I - DICHIARAZIONE DI CONFORMITÀ «CE»

Il costruttore dichiara che la macchina è conforme ai requisiti di sicurezza e salute previsti dalle Direttive Europee 2006/42/CE, alle norme EN ISO 4254-1, EN ISO 12100 ed alle norme EN ISO 4254-5 (erpic, zappatrici, sarchiatrici), EN ISO 4254-12 (trinciatrici), EN ISO 4254-13 (falciatrici), EN 10408 (semiatrici).

BG - ДЕКЛАРАЦИЯ ЗА СЪОТВЕТСТВИЕ «ЕО»

Производителят декларира, че машината отговаря на изискванията за безопасност и здраве, предвидени от европейска директива 2006/42/ЕО, EN ISO 4254-1, EN ISO 12100 и от стандарти EN ISO 4254-5 (Почвообработващи машини със задвижвани работни органи), EN ISO 4254-12 (Ротационни дискови и барабани косачки и раздробители), EN ISO 4254-13 (косачки), EN 10408 (сеялки).

CS - PROHLÁŠENÍ O SHODĚ «CE»

Výrobce prohlašuje, že stroj odpovídá všem příslušným požadavkům na bezpečnost a ochranu zdraví podle Směrnice 2006/42/ES, podle směrnice EN ISO 4254-1, EN ISO 12100 a směrnice EN ISO 4254-5 (kultivátory, brány, odplevelovače), EN ISO 4254-12 (drtiče), EN ISO 4254-13 (sekačky), EN 10408 (sečí stroje).

HR - «EZ» IZJAVA O SUKLADNOSTI

Proizvođač izjavljuje da je stroj u skladu sa sigurnosnim i zdravstvenim zahtjevima koje predviđa europska direktiva 2006/42/EZ, s normama HRN EN ISO 4254-1, HRN EN ISO 12100 te s normama HRN EN ISO 4254-5 (pokretani strojevi i oruđa za obradu tla), HRN EN ISO 4254-12 (kružne vertikalne kosilice i sitnice), EN ISO 4254-13 (rotacione kosilice), EN 10408 (sijačice).

DK - «EF»-OVERENSSTEMMELSESERKLÆRING

Producenten erklærer, at maskinen er i overensstemmelse med kravene til sikkerhed og sundhed i EF-direktiv 2006/42/EF, standarderne DS/EN ISO 4254-1, DS/EN ISO 12100 og standarderne DS/EN ISO 4254-5 (harver, hakkere, radrensere), DS/EN ISO 4254-12 (snittere), DS/EN ISO 4254-13 (mejemaskiner), DS/EN ISO 11073-10408 (såmaskiner).

ET - «EÜ» VASTAVUSDEKLARATSIOON

Tootja deklareerib, et masin vastab tervisekaitse- ja ohutusnõuetele, mis on sätestatud Euroopa direktiivis 2006/42/EÜ, standardites EN ISO 4254-1, EN ISO 12100 ja standardites EN ISO 4254-5 (äkked, freesid, reasharimisasinad), EN ISO 4254-12 (vasartrumluga niidukhekseldid), EN ISO 4254-13 (niidukiid), EN 10408 (seemnekülvikud).

FI - «EU»-VAATIMUSTENMUKAISUUSVAKUUTUS

Valmistaja vakuuttaa, että kone vastaa Euroopan parlamentin ja neuvoston direktiivin 2006/42/EU turvallisuus- ja terveysvaatimuksia sekä standardeja EN ISO 4254-1, EN ISO 12100 ja standardeja EN ISO 4254-5 (aurat, karhit, harat), EN ISO 4254-12 (silppurit), EN ISO 4254-13 (niittokoneet), EN 10408 (kylvökoneet).

F - DÉCLARATION "CE" DE CONFORMITÉ

Le constructeur déclare que la machine est conforme aux exigences essentielles de sécurité et de santé pour l'opérateur prévues par la directive européenne 2006/42/CE, ainsi qu'aux normes NF EN ISO 4254-1, NF EN ISO 12100 et aux normes NF EN ISO 4254-5 (herse, fraises rotatives, bineuses), NF EN ISO 4254-12 (broyeurs), NF EN ISO 4254-13 (tondeuses), NF EN 10408 (semoirs).

GR - ΔΗΛΩΣΗ ΣΥΜΜΟΡΦΩΣΗΣ «ΕΚ»

Ο κατασκευαστής δηλώνει ότι το μηχάνημα συμμορφώνεται με τις απαιτήσεις ασφάλειας και υγείας που προβλέπονται από την ευρωπαϊκή οδηγία 2006/42/ΕΚ, τα πρότυπα EN ISO 4254-1, EN ISO 12100 και τα πρότυπα EN ISO 4254-5 (σβάρνες, τσάπες, σκαλιστήρια), EN ISO 4254-12 (τεμαχιστές), EN ISO 4254-13 (χαρτοκοπτικά μηχανήματα), EN 10408 (μηχανήματα σποράς).

EN - «EC» DECLARATION OF CONFORMITY

The manufacturer declares that the machine complies with the health and safety requirements laid down in European Directive 2006/42/EC, the standards EN ISO 4254-1, EN ISO 12100 and standards EN ISO 4254-5 (harrows, tillers, inter-row tillers), EN ISO 4254-12 (flail mowers), EN ISO 4254-13 (mowers), EN 10408 (seed drills).

GA - DEARBHŪ COMHRÉIREACHTA «CE»

Dearbhaíonn an déantúsaí go gcomhlíonann an gléas leis na riachtanais sábháilteachta agus slándála mar a leagtar síos sa Treoir Eorpach 2006/42/CE, sna caighdeáin EN ISO 4254-1, EN ISO 12100 agus caighdeáin EN ISO 4254-5 (brácaí, saothróirí, saothróirí idirlinte), EN ISO 4254-12 (buainteoírí sústeacha), EN ISO 4254-13 (buainteoírí), EN 10408 (sioladóirí).

LV - «EK» ATBILSTĪBAS DEKLARĀCIJA

Ražotājs paziņo, ka mašina atbilst veselības un drošības prasībām, kas norādīti Eiropas direktīvā 2006/42/EK, EN ISO 4254-1 standartos, EN ISO 12100 standartos un EN ISO 4254-5 standartos (ecēšas, kultivators, starprindu kultivators), EN ISO 4254-12 (plaujmašīna), EN ISO 4254-13 (plūvēji), EN 10408 (rindsējmašīna).

LT - «EB» ATITIKTIES DEKLARAVIMAS

Gamintojas patvirtina, kad mechanizmas atitinka sveikatos ir saugos reikalavimus, išdėstytus Europos Direktyvoje 2006/42/EB, standartuose EN ISO 4254-1, EN ISO 12100 ir standartuose EN ISO 4254-5 (akėčios, kultivatoriai, sukamieji kultivatoriai), EN ISO 4254-12 (šienapjovės smulkintuvai), EN ISO 4254-13 (šienapjovės), EN 10408 (sėjamosios).

MT - DIKJARAZZJONI TA' KONFORMITÀ «KE»

Il-manifattur jiddikjara li l-magna hi konformi mar-rekwiżiti tas-sigurtà u s-saħħa previsti mid-Direttiva Ewropea 2006/42/KE, mal-istandards EN ISO 4254-1, EN ISO 12100 u mal-istandards EN ISO 4254-5 (harrows, mghażaqa, weeding machines), EN ISO 4254-12 (shredders), EN ISO 4254-13 (mowers), EN 10408 (seeders).

NL - «EG»-VERKLARING VAN OVEREENSTEMMING

De fabrikant verklaart dat de machine voldoet aan de vereisten inzake de veiligheid en de gezondheid European richtlijn 2006/42/EG, de normen NEN-EN-ISO 4254-1, NEN-EN-ISO 12100 en de normen NEN-EN-ISO 4254-5 (eggen, landbouwfrezen, schoffelmachines), NEN-EN-ISO 4254-12 (hakselaars), NEN-EN-ISO 4254-13 (maaimachines), NEN-EN-ISO 10408 (zaaimachines).

PL - DEKLARACJA ZGODNOŚCI «WE»

Producent deklaruje, że maszyna spełnia wymogi bezpieczeństwa i zdrowia określone w Dyrektywie 2006/42/WE, w normach PN-EN ISO 4254-1, PN-EN ISO 12100 oraz w normach PN-EN ISO 4254-5 (brony, glebogryzarki, opielacze), PN-EN ISO 4254-12 (kosiarzki bijakowe), PN-EN ISO 4254-13 (kosiarzki), PN-EN 10408 (siewniki).

PT - DECLARAÇÃO DE CONFORMIDADE «CE»

O fabricante declara que a máquina está em conformidade com os requisitos de segurança e saúde previstos na Directiva Europeia 2006/42/CE, as normas EN ISO 4254-1, EN ISO 12100 e as normas EN ISO 4254-5 (grades, fresas, sachadores), EN ISO 4254-12 (tritadoras), EN ISO 4254-13 (gadanheiras), EN 10408 (semeadores).

RO - DECLARAȚIE DE CONFORMITATE «CE»

Producătorul declară faptul că utilajul respectă cerințele de sănătate și siguranță prevăzute în Directiva europeană 2006/42/CE, standardele EN ISO 4254-1, EN ISO 12100 și standardele EN ISO 4254-5 (grape, motocultivatore, motocultivatore între rânduri), EN ISO 4254-12 (secerători laterale), EN ISO 4254-13 (secerători), EN 10408 (semănători).

SK - VYHLÁŠENIE O ZHODE S PREDPISMI «ES»

Výrobca vyhlasuje, že stroj zodpovedá požiadavkám na zdravie a bezpečnosť uvedeným v Európskej smernici č. 2006/42/ES, normám EN ISO 4254-1, EN ISO 12100 a normám EN ISO 4254-5 (brány, kultivátory, mediáridávkové kultivátory), EN ISO 4254-12 (cepové žacie stroje), EN ISO 4254-13 (žacie stroje), EN 10408 (vysivacie riadkové stroje).

SI - «ES» IZJAVA O SKLADNOSTI

Proizvajalec izjavlja, da je stroj izdelan v skladu z zahtevami glede zdravja in varnosti, ki so navedene v evropski direktivi 2006/42/ES, standardih EN ISO 4254-1, EN ISO 12100 in standardih EN ISO 4254-5 (brane, kultivatorji, medvrstni kultivatorji), EN ISO 4254-12 (mulčerja), EN ISO 4254-13 (kosilnice), EN 10408 (sejalnice).

ES - DECLARACIÓN DE CONFORMIDAD «CE»

El constructor declara que la máquina cumple los requisitos de seguridad y salud según las Directivas Europeas 2006/42/CE, las normas EN ISO 4254-1, EN ISO 12100 y las normas EN ISO 4254-5 (gradas, binadoras, cultivadros), EN ISO 4254-12 (picadoras), EN ISO 4254-13 (segadoras), EN 10408 (sembradoras).

S - FÖRSÄKRAN OM ÖVERENSSTÄMMELSE MED «EG»-DIREKTIV

Tillverkaren försäkrat att maskinen är tillverkad i överensstämmelse med säkerhets- och hälsoföreskrifterna i Europadirektiv 2006/42/EG, enligt standard EN ISO 4254-1, EN ISO 12100, och enligt standard EN ISO 4254-5 (harvar, jordfråsar, rullharvar), EN ISO 4254-12 (fålhackar), EN ISO 4254-13 (slättermaskiner), EN 10408 (såningsmaskiner).

DE - «EG»-KONFORMITÄTSEKTLÄRUNG

Der Hersteller erklärt, dass die Maschine den Vorschriften zur Sicherheit und Gesundheit der EU-Maschinenrichtlinie 2006/42/EG, der Normen EN ISO 4254-1, EN ISO 12100 sowie der Normen EN ISO 4254-5 (Eggen, Bodenfräsen, Hackmaschinen), EN ISO 4254-12 (Kreiselmäherwerke und Schlegelmäher), EN ISO 4254-13 (Mähmaschinen) und EN 10408 (Sämaschinen) entspricht.

HU - «EK»-MEGFELELŐSÉGI NYILATKOZAT

A gyártó kijelenti, hogy a gép megfelel a 2006/42/EK irányelv egészségvédelmi és biztonsági követelményeinek, valamint az EN ISO 4254-1, EN ISO 12100 és EN ISO 4254-5 (boronák, kapálógépek, gyomlálógépek), továbbá az EN ISO 4254-12 (szárzók), EN ISO 4254-13 (kaszálógépek) és EN 10408 (vetőgépek) szabványoknak.

Tipologia:
Mod.:
Matr.:
Nogara:

Breviglieri Spa

Presidente e A.D.
Luciano Paola



CONGRATULATIONS

Dear Customer, thank you for the trust you have put in us by choosing one of the quality products of the **BREVIGLIERI** range. Upon receiving the machine, please check to see if there are any shipping damages or missing parts; also check the integrity of the machine and the accessories you purchased. Immediately report any defects to the manufacturer. Read and comply with the instructions in this manual before the initial startup; pay particular attention to the safety instructions. After carefully reading the manual, you can take full advantage of your new machine. Please make sure all machine operators read this manual before starting up the machine. If you have any questions or problems, please consult this manual or call the Service Center.



Contents

1	OVERALL INFORMATION	34	6.1	SAFETY WARNINGS	51
1.1	INTRODUCTION	34	6.2	MACHINE IN SAFETY POSITION	51
1.2	WARRANTY	34	6.3	SCHEDULED MAINTENANCE	51
1.3	WARRANTY EXCLUSIONS	34	6.3.1	AFTER THE FIRST 8 HOURS SERVICE	51
1.4	MANUFACTURER AND AFTER-SALES SERVICE CONTACT INFORMATION	34	6.3.2	EVERY 8 HOURS/1 DAY SERVICE	51
1.5	MANUAL UPDATE	34	6.3.3	EVERY 20 HOURS SERVICE	51
1.6	CE PLATE	34	6.3.4	AFTER 100 HOURS SERVICE	52
1.7	HOW TO READ THE MANUAL	35	6.3.5	EVERY 500 HOURS/1 YEAR SERVICE	52
1.8	DECALS USED IN THE MANUAL	35	6.3.6	PTO SHAFT MAINTENANCE	52
1.9	GLOSSARY	35	6.3.7	CHECKING GUARDS	52
2	GENERAL WARNINGS AND DESCRIPTION OF THE MACHINE	35	6.3.8	REPLACING BLADE	52
2.1	GENERAL SAFETY WARNINGS	35	6.3.9	REPLACING SUPERFAST BLADES (OPT)	53
2.2	DESCRIPTION	36	6.3.10	REPLACING HYDRAULIC SYSTEM TUBES (OPT)	53
2.3	OPERATING PRINCIPLE	36	6.3.11	CHANGING THE ROTATING SPEED OF THE BLADES	53
2.4	ACCESSORIES	36	6.3.12	CHECK/CHANGE OIL IN THE GEARBOX	54
2.4.1	STANDARD (STD)	36	6.3.13	CHECK/CHANGE OIL IN THE FLAT PAN	54
2.4.2	OPTIONAL (OPT)	36	6.4	LUBRICATION	55
2.5	DECALS APPLIED ONTO THE MACHINE	37	6.4.1	LUBRICATION POINTS	55
2.6	TECHNICAL SPECIFICATIONS	38	6.4.2	RECOMMENDED LUBRICANTS	55
2.7	OVERALL DIMENSIONS	38	6.5	CLEANING	55
2.8	NOISE LEVEL	38	6.6	TROUBLESHOOTING	56
2.9	VIBRATIONS	38	7	DISMANTLING AND DISPOSAL	56
3	TRANSPORT AND HANDLING	38	8	SPARE PARTS	56
3.1	SAFETY WARNINGS	38	8.1	LIST OF SPARE PARTS CRITICAL FOR SAFETY	56
3.2	HANDLING	39	8.2	HOW TO ORDER SPARE PARTS	56
3.2.1	HANDLING OF THE MACHINE	39			
3.2.2	HANDLING ACCESSORIES	39			
3.3	TRANSPORT OF PACKAGING	40			
3.4	STORAGE	40			
4	INSTALLATION	41			
4.1	SAFETY WARNINGS	41			
4.2	ASSEMBLING THE MACHINE	41			
4.2.1	FITTING PTO GUARDS	42			
4.2.2	FITTING OPTIONAL ROLLERS (OPT)	42			
4.2.3	FITTING HITCH FOR FRONTAL USE OF THE MACHINE	42			
4.2.4	FITTING SIDE SHIELD WITH CONNECTING ROD (OPT)	42			
4.2.5	FITTING TRACK ERADICATOR (OPT)	43			
5	OPERATING	43			
5.1	SAFETY WARNINGS	43			
5.2	RECOMMENDED USE	43			
5.3	PREDICTABLE IMPROPER USE	43			
5.4	RESIDUAL RISKS AND DANGEROUS ZONES	44			
5.5	DESCRIPTION OF THE SAFETY DEVICES	44			
5.6	OPERATING	45			
5.6.1	HITCHING THE MACHINE TO THE TRACTOR	45			
5.6.2	SETTING LOWER ATTACHMENTS POINTS	45			
5.6.3	INSTALLING THE PTO SHAFT	45			
5.6.4	HYDRAULIC CONNECTION (OPT)	46			
5.6.5	INSTALLING HYDRAULIC SEEDER LINKAGE (OPT)	46			
5.6.6	SEED DRILL HYDRAULIC CONNECTION (OPT)	46			
5.6.7	CIRCULATE ON THE PUBLIC ROADS	47			
5.6.8	SETTING WORKING DEPTH	47			
5.6.9	SETTING THE SCRAPERS	48			
5.6.10	STARTING WORK	48			
5.6.11	SETTING THE POSITION OF THE REAR BAR	49			
5.6.12	SETTING THE SIDE SHIELD	49			
5.6.13	STOPPING	50			
5.6.14	PROCEDURES IN CASE OF ACCIDENTS OR MECHANICAL FAILURES	50			
5.6.15	UNHITCHING THE MACHINE FROM THE TRACTOR	50			
5.6.16	PREPARING FOR STORAGE	50			
6	MAINTENANCE	51			



1 OVERALL INFORMATION

1.1 INTRODUCTION

This manual contains all the information you need to know for proper use and normal maintenance of the **MEKFARMER150** (hereinafter also called “machine”), produced by **BREVIGLIERI S.P.A.** of Nogara (VR) Italy, hereinafter also called «manufacturing company». The statements herein do not constitute a complete description of the various parts, nor a detailed ex position of their operation. However, the user will find all the information that is normally provided for the safe use and the proper keeping of the machine. Failure to observe the indications in this manual, operational negligence, incorrect use of the machine and the execution of unauthorized modifications, can be grounds for cancellation of the warranty given by the manufacturer to the machine. The manufacturer declines all responsibility for damages due to negligence and failure to comply with the instructions in this manual. For any repairs or revisions involving operations of a certain complexity, contact an authorized Service Center that has specialized staff or directly contact the manufacturer, who is at your complete disposal to provide prompt and accurate technical support and everything that can be useful for the operation and the maximum machine efficiency. This manual must be kept in a safe place to allow its preservation and consultation throughout the lifetime of the machine. In order to develop and upgrade this product, **BREVIGLIERI** reserve the right to make changes without notice. In case of dispute, the text of the instructions for use, to which reference will be made, shall be exclusively in Italian. Some of the images shown may differ from the machine in your possession: they are shown here only for illustration to explain the operations to be performed.

1.2 WARRANTY

The Manufacturer guarantees brand new products for a period of 12 (twelve) months from the date of delivery. When the machine is delivered, make sure that both it and the accessories are complete and in a perfect condition. Complaints should be presented in writing within 8 (eight) days from receipt of the machine. The warranty merely covers the repair or replacement, free of charge, of those parts which, after thorough examination by the Manufacturer, are recognized as being defective (with the exclusion of tines). Expenses concerning replacement of lubricants, transport costs, customs duties and VAT remain at the purchaser’s charge in any case. Replacement or repair of parts under guarantee shall in no case extend the warranty terms. The Manufacturer will not accept returned goods without prior written authorization. The purchaser shall only be able to exercise his rights in relation to the warranty when he has complied with the conditions governing warranty performance, as indicated in the supply contract.

1.3 WARRANTY EXCLUSIONS

(Besides the circumstances indicated in the supply contract) the warranty becomes void:

- When the damage can be ascribed to insufficient maintenance.
- When, following repairs made by the user without the Manufacturer’s consent or owing to the installation of spurious spare parts, the machine has been subjected to changes and the damage is ascribable to these changes.
- When the machine has been hitched to tractors whose power rating exceeds the value given in the “2.6 Technical specifications” table in this manual.
- When the user has failed to comply with the instructions in this manual. Damage deriving from negligence, carelessness, bad and improper use of the machine or incorrect manoeuvres by the operator are also excluded from the warranty. Removal of the safety devices with which the machine is equipped shall automatically void the warranty and relieve the Manufacturer from all relative liability. The warranty also becomes void if spurious spare parts are used.

Even when covered by the warranty, the machine must be returned Carriage Free.

1.4 MANUFACTURER AND AFTER-SALES SERVICE CONTACT INFORMATION

Breviglieri Spa
Via Labriola 2 - 37054 NOGARA (Verona) - ITALY
Tel. 0039 0442 537411 r.a. - Fax 0039 0442 537444
www.breviglieri.com - info@breviglieri.com

1.5 MANUAL UPDATE

The information, descriptions and figures contained in this Manual reflect the state of the art at the moment of the sale of the machine. The Manufacturer reserves the right to make changes, at any time, to the machine for technical or commercial reasons. These changes do not compel the Manufacturer neither to make changes to machines already sold until then nor to consider this present Manual inadequate. Any integrations that the Manufacturer will consider worthwhile will have to be kept along with the Manual and will be considered as part of it.

1.6 CE PLATE



FIG. 1

- A Machine model
- B Machine version
- C Serial number
- D Weight (in Kg)
- E Year of manufacture



1.7 HOW TO READ THE MANUAL

The Manual has been divided into single chapters, each one is addressed to one of more types of operators (SKILLED STAFF OR OPERATOR) whose necessary skills for operating the machine safety have been defined. The sequence of the chapters meets the temporal logic of the life of the machine.

To make the text easier to understand, the meanings of the words, abbreviations and pictographs used in this Manual are indicated in the consecutive chapters.

In the Manual, in chapter 2 there is a paragraph called “General safety warnings”. These warnings refer to the machine in general, during its life and its running.

At the start of each chapter you will find the paragraph “Safety warnings”. These warnings are addressed to the operator to protect themselves when performing the operations described in the paragraph itself. You might also find, inside the paragraph, safety warnings addressed to the operator for protecting themselves when performing the operations described in the paragraph itself. Always read the safety warnings at the beginning of the chapter before performing any operation described in a paragraph.

1.8 DECALS USED IN THE MANUAL



DANGER

Serious or fatal injuries.



WARNING

Possible serious or fatal injuries.



CAUTION

Possible slight or negligible injuries or damages to the machine.



NOTE

USEFUL INFORMATION.



SKILLED STAFF

Manufacturer or After Sales service centre’s staff.



OPERATOR

User of the machine.



ALWAYS WEAR GLOVES TO PROTECT YOUR HANDS



ALWAYS WEAR GOGGLES TO PROTECT YOUR EYESIGHT



ALWAYS WEAR PROTECTIVE CLOTHING TO PROTECT YOUR BODY



ALWAYS WEAR A HELMET



ALWAYS WEAR EAR PROTECTORS TO PROTECT YOUR HEARING





ALWAYS WEAR SAFETY BOOTS



ALWAYS WEAR A MASK TO PROTECT YOUR FACE

1.9 GLOSSARY

Term/icon	Meaning
PTO	power take-off (PDF)
DPI	Personal protective equipment
STD	Standard equipment
OPT	Optional equipment
	Working depth
	PTO rpm

2 GENERAL WARNINGS AND DESCRIPTION OF THE MACHINE

2.1 GENERAL SAFETY WARNINGS



DANGER

Read the instructions carefully before using the machine.

The Manufacturer declines all and any liability for not complying with the safety and prevention instructions provided for in this Manual.

It is recommended not to operate on the machine with procedures, operators or qualifications different from the ones indicated in this Manual.

Never deactivate or alter in any way the safety components on the machine. Doing so will automatically make the warranty void.

In case of malfunction of a safety component, contact the After Sales centre immediately to order the spare part.

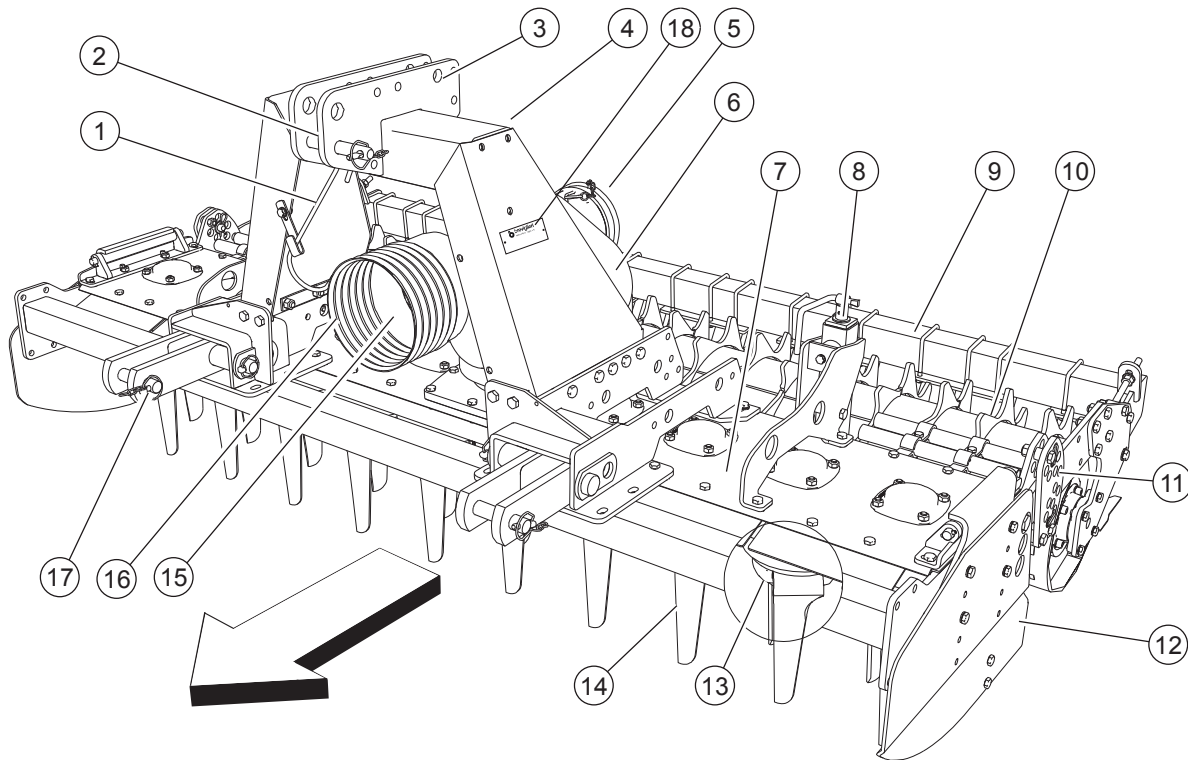
Always put the machine in a safety position before carrying out the handling, installation and maintenance phases (See “6.2 Machine in safety position”).

Pay attention to the clothing worn by anyone operating the machine. Do not wear loose or flapping garments that could become caught up in moving parts. Avoid wearing big rings or bracelets that could make your hands caught up in the machine parts.

**i** NOTE

KEEP THIS INSTRUCTION MANUAL FOR ANY FUTURE CONSULTATION

IN CASE OF THE SALE OF THE MACHINE TO A THIRD PARTY, THIS INSTRUCTION MANUAL MUST BE GIVEN IN INTACT AND LEGIBLE.

2.2 DESCRIPTION**FIG. 2**

- 1 PTO shaft support
- 2 Upper 3-point hitch
- 3 Hitch point for lifting the machine
- 4 Three point hitch frame
- 5 Rear PTO shield
- 6 Gearbox
- 7 Flat pan
- 8 Levelling bar adjusting jack
- 9 Roller scraper holder
- 10 Roller unit
- 11 Working depth adjustment unit
- 12 Side shield
- 13 Rotor
- 14 Blades
- 15 Power take off (PTO)
- 16 Tractor PTO protection
- 17 Lower hitch
- 18 Position of CE plate

2.3 OPERATING PRINCIPLE

The machine **MEKFARMER150** rotary harrow consists of a central framework (2 “Fig. 2”), with three-point coupling that hitches to a harrow unit. The machine only operates

when hitched to a tractor with an adequate power rating (see technical specifications for the specific power). The power required to operate the machine is transmitted by the tractor through the driveline (with CE marking) which engages with the central transmission unit (6 “Fig. 2”) and operates the various tine rotors (13 “Fig. 2”).

2.4 ACCESSORIES**2.4.1 STANDARD (STD)**

- Pin roller adjustment.
- PTO shaft with slip clutch.
- 540 or 1000 rpm gearbox unit with rear PTO.
- Rear levelling bar adjustable with hydraulic rams.
- CAT II three-point hitch.

2.4.2 OPTIONAL (OPT)

Spiked or maxi spiked roller



- It can be used on damp, clay soils and in difficult working situations. It does not compact the soil but levels it at the rear of the machine.

Cage roller

- This is used for soil of medium consistency and when the degree of humidity is low. It prepares the soil for seeding but does not compact the surface.

Packer roller

- This is used to crumble the soil worked by the tines to a further degree and to guarantee a compact surface, optimum for seeding. It has a bearing effect if the seed drill is mounted in a combined configuration. It is excellent for dry and hard soil.

Crumbling roller

- Like the packer roller, it is used for further crumbling of the surface clods. It does not compact the soil excessively and leave it levelled. It can also be used as load-bearing roller with a combine seeder.

Coil roller

- This type of roller consists of a bar wound as a coil around a central axis. It is particularly recommended for light and sandy soils.

Gearbox gears

A	B	540 rpm	1000 rpm	Cod.
30	26	301	-	8066256
33	23	374	-	8066257
25	31	-	389	8066258
22	34	-	312	8066259

Roller adjustment system

- Mechanical rams
- Hydraulic rams

PTO shaft

- With cam clutch

Hydraulic seeder linkage(MAX LOAD= 2000 Kg)

Seeder linkage lifting clamp

Track eradicator

Side shields with connecting rods

SUPERFAST blade replacement system

Back reflex panels

Hitching kit for frontal use of the machine

2.5 DECALS APPLIED ONTO THE MACHINE

The machine has been designed and built in compliance with all possible safety standards able to safeguard those who work with it. Despite this, there may still be residue hazards which are signalled on the machine by decals. These decals (pictograms) are affixed to the machine and indicate the various situations of insecurity and danger in a brief form.




Keep the decals clean. Replace the decals if there are

damaged or detached.

Pos	Decal	Meaning of decal
1		Carefully read the instruction manual before beginning work. cod. 9364670
2		Before proceeding with maintenance operations, stop the machine, lower it to the ground and consult the instruction manual. cod. 9364671
3		Danger of upper limbs being cut off. Do not remove the guards and keep well away from moving parts. cod. 9364662
4		Danger of being caught up by the driveline. It is absolutely forbidden to get near the driveline when it is operating. cod. 9364672
5		Danger of falling. It is absolutely forbidden to climb on to the machine. cod.9364673
6		Danger of lower limbs being cut off. Keep at a safety distance from the machine when it operates. cod. 9364675
8		Hitching points to lift the machine. cod. 9364668



Pos	Decal	Meaning of decal
/		Lubricating point cod. Z1700002

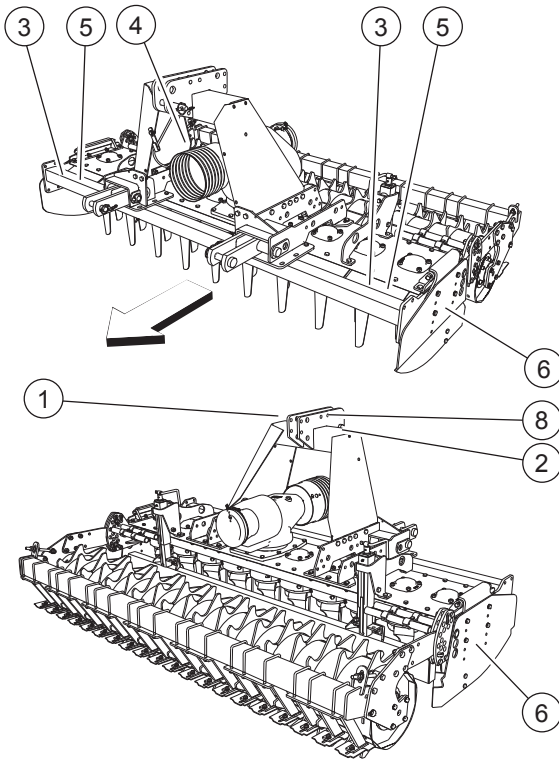



FIG. 3 Position of the decals


2.6 TECHNICAL SPECIFICATIONS

- Data valid for 540 rpm and 1000rpm model.

Version	Tractor		Blades n°	 in.
	Kw	HP		
250	76-99	100-130	20	4-12
300	84-110	110-150	24	4-12
350	99-110	120-150	28	4-12

- PTO shaft: 1" 3/8 Z6
- CAT II three point hitch.

Gearbox (STD)

		540 rpm	1000 rpm	Code
32	24	348	-	8066254
24	32	-	362	8066254

2.7 OVERALL DIMENSIONS

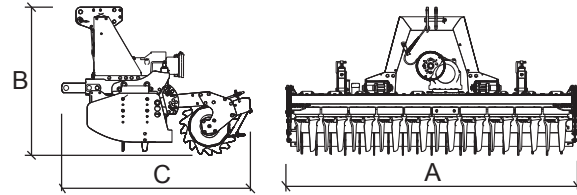


FIG. 4

Version	A		B		C	
	cm	inch	cm	inch	cm	inch
250	252	99.3	125	49.3	157	61.8
300	300	118.2	125	49.3	157	61.8
350	350	137.8	125	49.3	157	61.8

2.8 NOISE LEVEL

- Acoustic pressure LpAm (A): dB 82.1
- Acoustic power LwA (A): dB 98,6



CAUTION

Danger of loud noise when operating the machine.



ALWAYS WEAR EAR PROTECTORS TO PROTECT YOUR HEARING

2.9 VIBRATIONS

During its normal working, the machine does not transmit significant vibrations to the tractor and therefore to the operator. These vibrations are less than 8,2 ft/s² for the operator's upper limbs and less than 1,6 ft/s² for the sitting part of the operator's body.

3 TRANSPORT AND HANDLING

3.1 SAFETY WARNINGS



NOTE

READING THIS CHAPTER IMPLIES THAT, FOR A SAFE USE OF THE MACHINE, WHAT IS CONTAINED IN THE PARAGRAPH "2.1 GENERAL SAFETY WARNINGS" HAS BEEN FULLY UNDERSTOOD.



DANGER

Never allow access to unauthorised and/or unqualified staff in the area of handling and packaging of the machine.

The handling and packaging phases of the machine must be carried out by staff specialised in operating cranes and forklift trucks.



CAUTION

Always use CE lifting equipment (straps, cranes, forklift trucks..) for handling the machine and the packaging.

The lifting equipment for the machine or the packaging must have a capacity higher than the load weight.

ALWAYS WEAR GLOVES TO PROTECT YOUR HANDS

ALWAYS WEAR PROTECTIVE CLOTHING TO PROTECT YOUR BODY

ALWAYS WEAR SAFETY BOOTS

3.2 HANDLING

3.2.1 HANDLING OF THE MACHINE

ALWAYS WEAR A HELMET

Version	Weight		Hoisting equipment
	Kg	lb	
250	840	1848	crane/lifting straps
300	980	2161	crane/lifting straps
350	1100	2425	crane/lifting straps

The weights refers to the machine without roller.

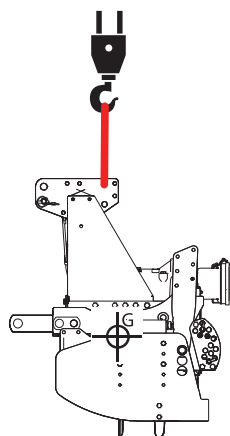


FIG. 5 Handling machine without roller

Make sure that the zone in which the operations take place is uncluttered and that there is a sufficient «escape route», i.e. a clear and safe zone to which the operators can quickly move if the load should fall.

CAUTION

When handling with a forklift insert the forks between the blades. Place the forks under the rotor.

Beware of the sharp edges as they can damage the lifting straps.

To lift the machine with roller you have to hitch it in different places: a lift point is indicated on the machine, near

the upper three-point hitch. Hitch the straps on the scraper holder bar too. Check the balance and the positioning of the load on the forks in case of a forklift and of the assembly hook-straps-machine in case of a crane. When handling, loads must not be hoisted no more than 8 inches from the ground

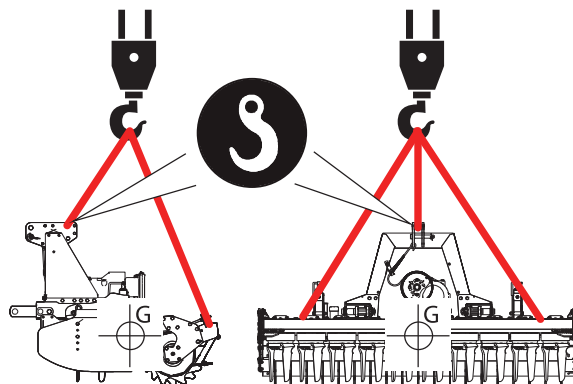


FIG. 6 Handling machine with roller

Lift the machine with the utmost care and move it slowly without jolting on to the truck or railway car. The surface on to which the machine is to be loaded must be perfectly horizontal, to prevent the load from shifting.

If the machine has been placed on a wooden pallet, use a forklift to handle the pallet. The forklift forks must be as distant as possible from each other.

3.2.2 HANDLING ACCESSORIES

Accessories with a weight less than 44 lbs can be handled by a single operator. The rollers must be handled with a crane and lifting straps (“Fig. 7”). Fix two hoisting shackles, one on each side. Insert the shackle pin in the hole of the roller holder plate (“Fig. 7”). Hitch the lifting straps. Lift the roller of few centimetres. Check the roller balance

CAUTION

Crash risk. The roller is fitted on freely rotating supports. Connect a strap to the centre of the roller.

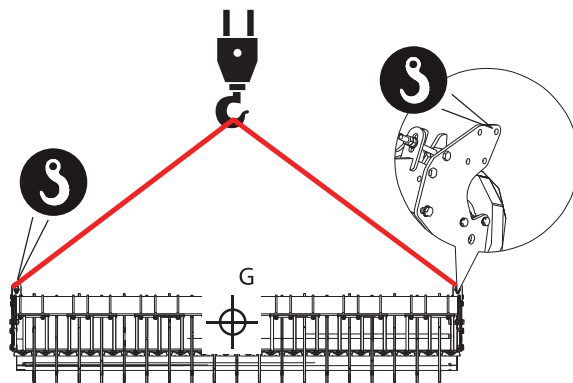




FIG. 7

**Spiked or maxi spiked roller**

	Ø 525 Øi 163		Ø 525 Øi 273 Mod. maxi	
Version	Kg	lb	Kg	lb
250	1020	2249	1060	2337
300	1170	2579	1210	2668
350	1300	2866	1340	2954


Weights refer to the machine with roller.

Cage roller

	Ø 450		Ø 500	
Version	Kg	lb	Kg	lb
250	1010	2227	1129	2489
300	1190	2624	1269	2798
350	1330	2932	1409	3106


Weights refer to the machine with roller.

Packer roller

	Ø 464		Ø 500		Ø 550	
Version	Kg	lb	Kg	lb	Kg	lb
250	1100	2425	1147	2529	1173	2586
300	1290	2844	1337	2948	1363	3005
350	1460	3219	1507	3322	1533	3380


Weights refer to the machine with roller.

Crumbling roller

	Ø 500			
Version	Kg		lb	
250	1158		2553	
300	1354		2985	
350	1530		3373	

Weights refer to the machine with roller.

Coil roller

	Ø 460			
Version	Kg	lb		
250	1102	2425		
300	1220	2684		
350	1290	2838		

Weights refer to the machine with roller.

HANDLING OF SEEDER LINKAGE (OPT)

Model	Weight (lb)	Hoisting equipment
2000kg capacity	463	crane/lifting straps

The seeder linkage has a hoisting point ("Fig. 8").

**FIG. 8****3.3 TRANSPORT OF PACKAGING****CAUTION**

Never dispose of the packaging waste in the environment. The disposal of waste must be in compliance with the regulations in force in the country where the machine is installed.

The machine can be delivered wrapped in a plastic film.

NOTE

UPON DELIVERY, CHECK (VISUALLY WITH THE CARRIER) THE PERFECT CONDITION OF THE PACKAGING. FURNISH PROOF AND REPORT ANY FOUND ANOMALIES TO THE MANUFACTURER.

If the machine must be transported over a long distance, it can be loaded on a truck or railway car.

Once the machine has been moved on to the truck or wagon, make sure that it remains blocked in position.

Fix the machine firmly to the surface on which it rests.

After transport and before freeing the machine check the solidity of the packaging and the position of the machine.

Remove the fastening systems of the load. Unload the machine following the handling operations.

3.4 STORAGE

Storing wrapped machines must be done in places protected from bad weather and sun. Storage time must be limited to the strict minimum; for machine wrapped in plastic film the storage time is 12 months whereas the ones protected with a plastic sheet, storage time must be limited to the minimum (EU or neighbouring countries). For further information regarding storage time and methods contact the Manufacturer After-Sales service. The Manufacturer does not guarantee the condition of the content for periods



of time longer than the recommended ones.

4 INSTALLATION

4.1 SAFETY WARNINGS

i NOTE

READING THIS CHAPTER IMPLIES THAT, FOR A SAFE USE OF THE MACHINE, WHAT IS CONTAINED IN THE PARAGRAPH “2.1 GENERAL SAFETY WARNINGS” HAS BEEN FULLY UNDERSTOOD.

READING THIS CHAPTER IMPLIES THAT, FOR A SAFE USE OF THE MACHINE, WHAT IS CONTAINED IN PARAGRAPH “3 TRANSPORT AND HANDLING” HAS BEEN FULLY UNDERSTOOD.

⚠ DANGER

For transport needs, the safety guards may have been removed from the machine. Upon delivery of the machine the user will have to proceed with their proper fitting tightening properly the fastening elements (see “4.2.1 Fitting PTO guards”).

Never use the machine without any of the guards provided for and delivered.



ALWAYS WEAR GLOVES TO PROTECT YOUR HANDS



ALWAYS WEAR PROTECTIVE CLOTHING TO PROTECT YOUR BODY



ALWAYS WEAR SAFETY BOOTS

4.2 ASSEMBLING THE MACHINE

The machine may be delivered with the roller disassembled from the supports and hitched with iron clamps (1, “Fig. 9”) on the machine.

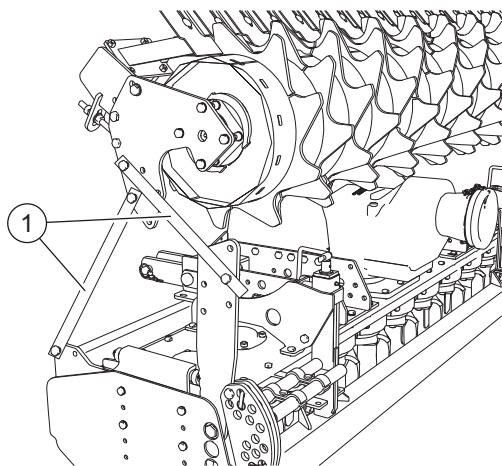


FIG. 9

To release the roller and prepare it to be fitted onto the machine proceed as follows:

- Secure the roller with the appropriate hoisting straps having a minimum capacity equal to the roller weight (for weights, see paragraph “3.2.2 Handling accessories”).
- Pull the hoisting straps.
- Loosen the screws fixing the clamps (1, “Fig. 9”) to the roller.
- Impede the rotation of the scraper holder bar (1).
- Place the roller on the ground with the support plates (2, “Fig. 10”) set in the assembly direction.

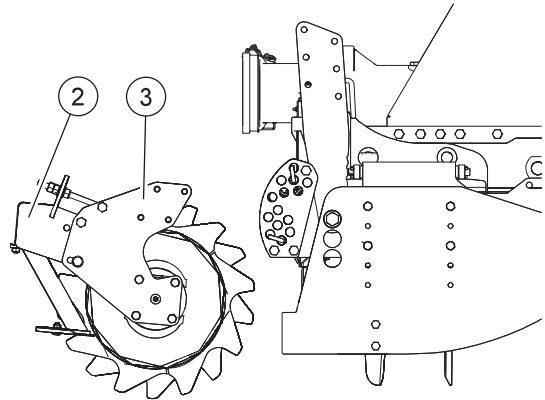


FIG. 10

- Loosen the bolts (6, “Fig. 11”). Remove the spacer (7). Remove the split pin and the upper pin (5). Lower the arm (4) until it rests onto the lower pin (5). Insert the upper pin (5) into the first free hole on the arm. Tighten pins with the split pin.

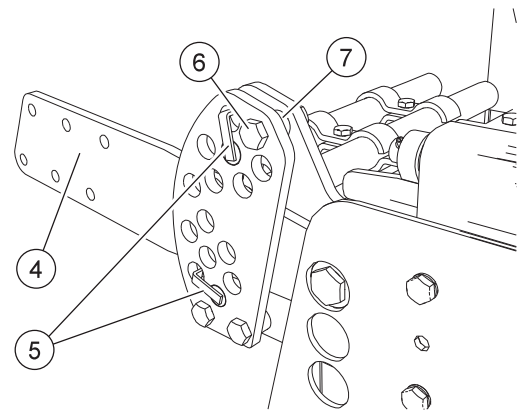


FIG. 11

- Fit the roller unit. Loosen the screws (8, “Fig. 12”) of the roller supports to the arm (4).

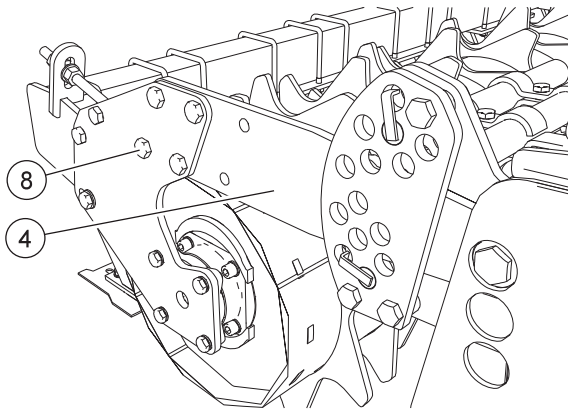


FIG. 12

4.2.1 FITTING PTO GUARDS

- Fitting rear PTO guards.
- Put the guard into place (1, "Fig. 13"). Loosen the screws (2). Fit the cap (3).

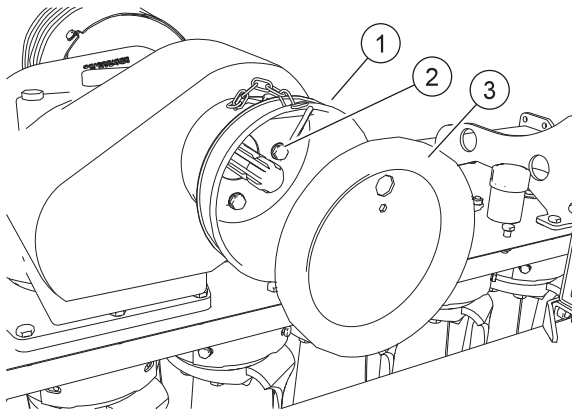


FIG. 13

- Fit the PTO guard tractor side.
- Put the guard into place (1, "Fig. 14"). Loosen the screws (2). Loosen the bolt (3).

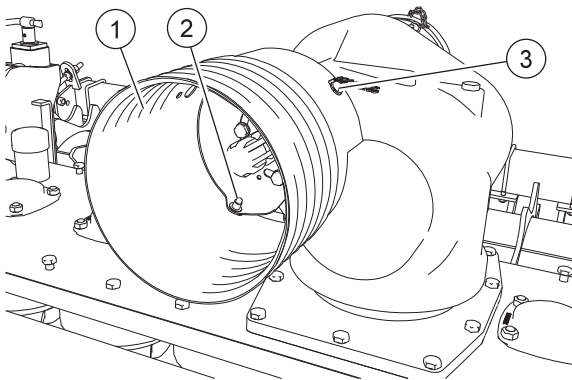


FIG. 14

4.2.2 FITTING OPTIONAL ROLLERS (OPT)

To fit optional rollers proceed as described in paragraph "4.2 Assembling the machine".

4.2.3 FITTING HITCH FOR FRONTAL USE OF THE MACHINE

Weight: 353 lb

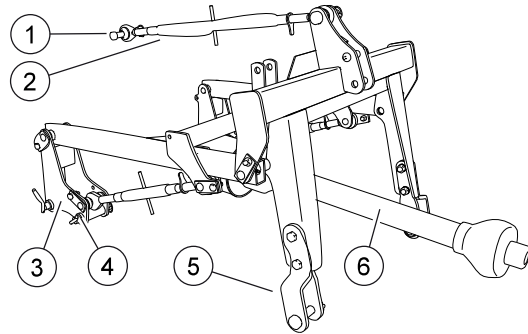


FIG. 15

- 1 Three point hitch pin
 - 2 Tie rod
 - 3 Lower support
 - 4 Pin
 - 5 Lower hitch for power-lift
 - 6 PTO shaft (OPT)
- Place the hitch onto the machine: insert the lower hitches (3, "Fig. 16") onto the plates at the basis of the three point hitch frame.
 - Fasten the lower hitches with the pins (4).
 - Connect the tie rod (2) to the machine three-point hitch.
 - Fasten the tie-rod with the pin (1).

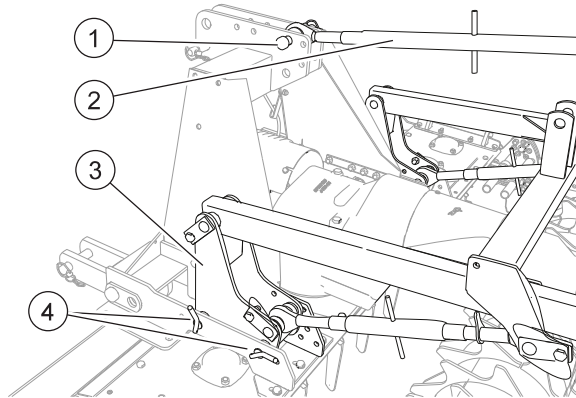


FIG. 16

4.2.4 FITTING SIDE SHIELD WITH CONNECTING ROD (OPT)

Version	Kg	lb
Side shield (STD)	25	55
Side shield with connecting rods (OPT)	28	62

- Remove the side shield fitted onto the machine.
- Loosen the bolts (2, "Fig. 17"). Loosen the nuts (1). Remove the unit.

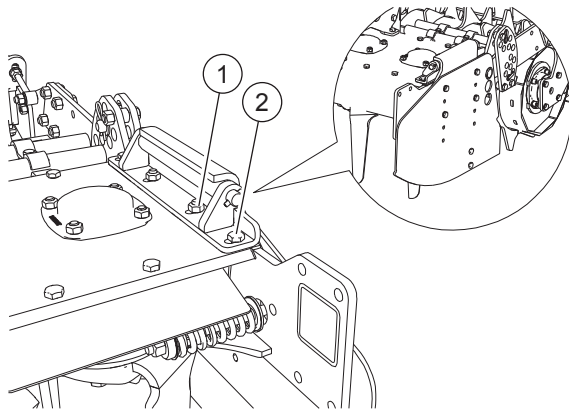


FIG. 17

- Place the side shield with connecting rods unit into the holes on the machine.
- Loosen the nuts (1, “Fig. 18”).
- Loosen the bolts (2).

► **OPT** The side shield with connecting rods adjust itself automatically according to the soil.

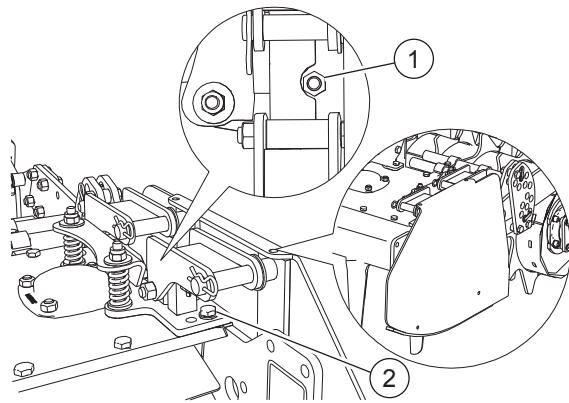


FIG. 18

4.2.5 FITTING TRACK ERADICATOR (OPT)

Fit the track eradicator support (1, “Fig. 19”) onto the front bar. Insert track eradicator (2) between the plates (3). Adjust height from the ground. Tighten nuts (4).

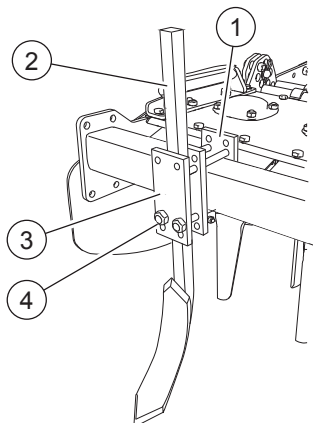


FIG. 19

5 OPERATING

5.1 SAFETY WARNINGS

i NOTE

READING THIS CHAPTER IMPLIES THAT, FOR A SAFE USE OF THE MACHINE, WHAT IS CONTAINED IN THE PARAGRAPH HAS BEEN FULLY UNDERSTOOD “2.1 GENERAL SAFETY WARNINGS”.

⚠ DANGER

Before operating the machine always check all the connections and check that there are no operators in the working area. Also make sure that the guards are correctly positioned.

Never touch blades and moving parts.

⚠ CAUTION

Before beginning work, make sure that the machine is in order, that the lubricating oils are at the right level and that all parts subject to wear and deterioration are fully efficient.



ALWAYS WEAR GLOVES TO PROTECT YOUR HANDS



ALWAYS WEAR SAFETY BOOTS

5.2 RECOMMENDED USE

The machine **MEKFARMER150**, rotary harrow is solely designed for use in agriculture in order to prepare, work and break up the soil.

The machine has been designed for being used by a single operator. During work the operator must be driving the tractor. The machine can work on soils with small stones.

i NOTE

ANY OTHER USE OF THE MACHINE DIFFERING FROM THE EXPLANATIONS GIVEN IN THIS MANUAL RELIEVES FOR MANUFACTURER FROM ALL AND EVERY LIABILITY FOR DERIVING DAMAGE TO PERSONS, ANIMALS OR PROPERTY.

THE MANUFACTURER IS NOT LIABLE FOR DAMAGES RESULTING FOR THE USE OF THE MACHINE IN DIFFERENT WAYS FROM THE RECOMMENDED ONES.

ONLY USE THE MACHINE WITH ORIGINAL ACCESSORIES OR AUTHORISED BY THE MANUFACTURER.

5.3 PREDICTABLE IMPROPER USE

⚠ CAUTION

It is absolutely forbidden to operate the tractor or have it operated, with the machine hitched, by persons who are not in possession of an adequate driving license,



by inexperienced persons or by those whose psycho-physical conditions of health are not good

Never use parts of the machine as a ladder to climb up. Never use the control levers or flexible tubes as grips.

Never remove the safety guards when the machine is working, for no reason whatsoever.

Beware of breakage of the blades. Never operate on soils with large stones.

It is absolutely forbidden to transport things, persons or animals on the machine.

5.4 RESIDUAL RISKS AND DANGEROUS ZONES

⚠ DANGER

Danger of being crushed. Zone between machine, tractor and three-point hitch, during the phases of hitching, unhitching, use of the machine and machine stop with the tractor engine on.

Danger of being crushed. Zone between the machine and the ground surface when lowering the machine for work, parking and routine maintenance.

Danger of objects thrown. When operating some objects or stones could be thrown from the rear side of the machine. Keep the machine at a 50 yards distance from passers-by, roads, paths, inhabited areas etc...

Danger of tilting over. Never park or stop on sloping ground.

Danger of being burnt. As a secondary effect, lengthy use of the machine can cause the gearbox and of some parts of the hydraulic circuit to heat. Never touch these hot parts during or immediately after use.

Read carefully the instructions manual of the PTO shaft attached to the PTO shaft itself. If there is any doubt regarding its working, if it is without any guards and is worn or broken, replace it with a new PTO shaft marked «CE» having the same specifications.

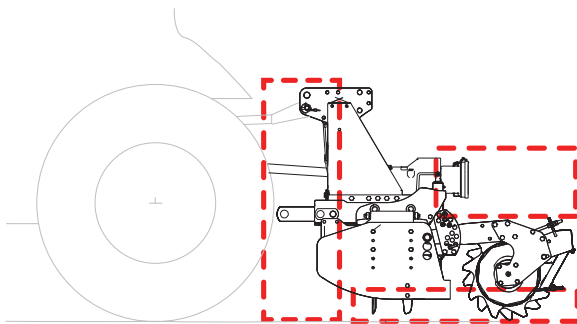


FIG. 20

5.5 DESCRIPTION OF THE SAFETY DEVICES

- Guards on the PTO shaft tractor side (1, "Fig. 21") and machine side (2) including the restraining chains.

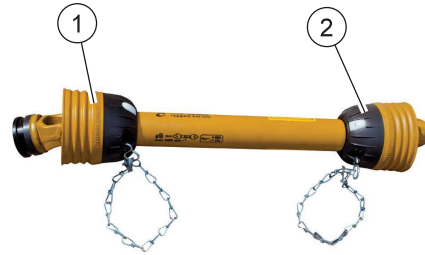


FIG. 21

- PTO guard tractor side (3, "Fig. 22").
- Protective side shield (1, "Fig. 22").
- Protective tubes against access to the blades area (2, "Fig. 22").

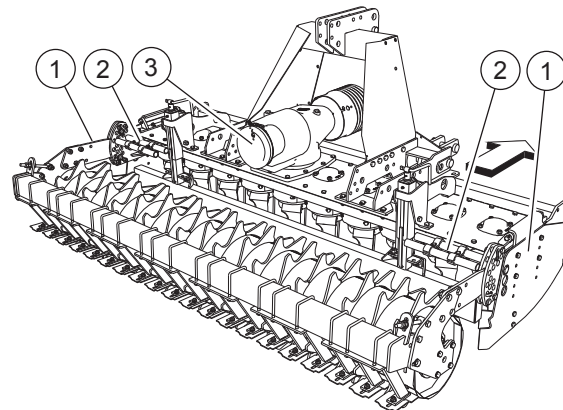


FIG. 22

- PTO guard, rear side (4, "Fig. 23").
- Protective plate for preventing access to the blades (5).

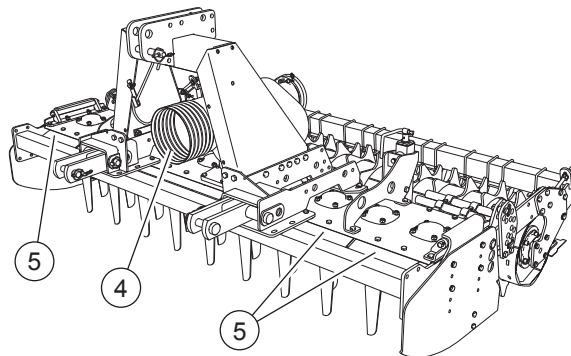


FIG. 23



5.6 OPERATING

5.6.1 HITCHING THE MACHINE TO THE TRACTOR

⚠ DANGER

Danger of being crushed. Keep hands and feet away from the blades and the machine.

⚠ CAUTION

The hitching and unhitching operations of the machine from the tractor must be carried out on stable and horizontal ground.

During the hitching and unhitching operations, never stand between the machine and the tractor.

⚠ CAUTION

Hitching a machine to a tractor means a different distribution of weights on the axis. Check the stability of the machine-tractor assembly. Observe the maximum indicated weight on the tractor axles.

Hitch the machine to a tractor with appropriate HP.

Before hitching or unhitching the machine from the three-point hitch, lock the control lever of the power-lift.

The class of the machine's coupling pins must correspond to that of the power lift hitch.

- Make sure that there are no objects, bystanders and/or animals in the immediate vicinity of the machine and that the PTO is disengaged.
- Back up the tractor towards the machine. Drive the tractor near to the implement with caution and adapt the height of the lift links to the height of the hitching pins.
- Turn off the tractor and put the parking brake on.
- Move the power-lift bars to the lower hitches ("Fig. 24"). Insert the attachment pins (1). Fasten the pins with the trigger pins (2) part of standard equipment.

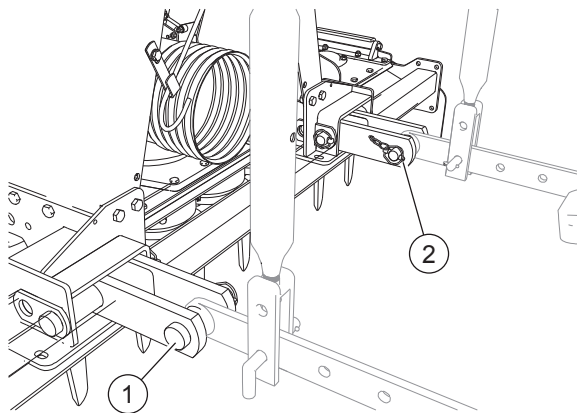


FIG. 24

- Move the tie-rod of the power-lift to the three-point hitch ("Fig. 25"). Set the tie rod so that the machine stays on

the ground. Insert the attachment pin (1). Lock the pin with the trigger split pin (2), part of standard equipment.

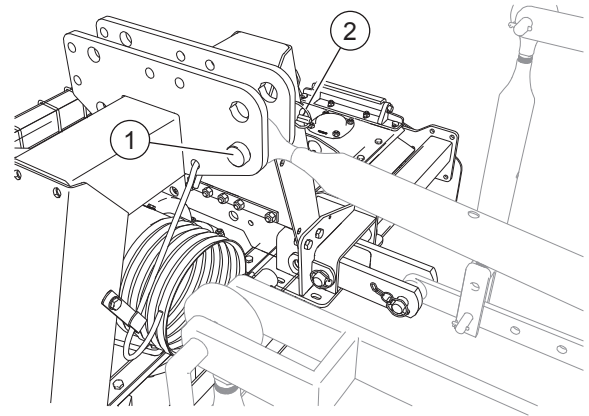


FIG. 25

- Lock the power lift bars with the relative chains and parallel idlers on the tractor. This must be done to prevent the machine from swinging sideways
- Start the tractor. Start lifting the machine from the ground. Turn off the tractor. Remove the keys from the dashboard.
- Set the arms of the tractor power-lift so that the machine is levelled. The blades have to be at the same distance from the ground on both sides of the machine.

5.6.2 SETTING LOWER ATTACHMENTS POINTS

- Remove the split pin (1, "Fig. 26").
- Take out the pin (3).
- Take out and rotate at 180° the tractor hitch (2).
- Insert again the hitch into its seat.
- Insert the pin (3).
- Fasten the pin with the split pin (1).

The hitch can also be fitted into the hole (4).

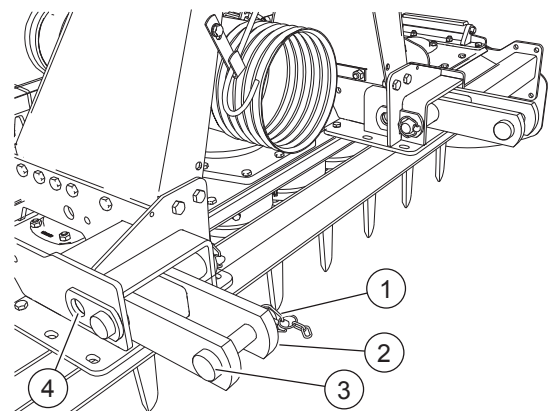


FIG. 26

5.6.3 INSTALLING THE PTO SHAFT

⚠ DANGER

Installing and uninstalling the PTO shaft must always



be done when the tractor is off.

CAUTION

When hitched to the tractor, the machine can only be operated with the driveline complete with shields fixed by their chains. Keep well away from the spinning driveline.

Prevent the shields from turning by means of the relative chains and always read the operation and maintenance manual supplied with the driveline

Only used a PTO shaft marked «CE», equipped with guards and locking chains.

- Fit the driveline into the machine's power take-off and make sure that it is perfectly locked in the correct position.
- Fit the driveline into the tractor's power take-off and make sure that it is perfectly locked in the correct position. Make sure that the shield is free to turn.
- Fasten the shield with the relative chain. Remove the support from the driveline (4 Fig. 1) and fix it on the relative hook.
- Lift and lower the machine to check if the length of the PTO shaft is correct.

NOTE

IF THE PTO SHAFT IS TOO LONG YOU CAN SHORTEN IT FOLLOWING THE INSTRUCTIONS GIVEN IN THE INSTRUCTION MANUAL OF THE PTO SHAFT.

IF YOU LOSE THE PTO SHAFT INSTRUCTION MANUAL, CONTACT THE PTO SHAFT MANUFACTURER OR BREVIGLIERI AFTER-SALES SERVICE.

5.6.4 HYDRAULIC CONNECTION (OPT)

There is a hydraulic connection on models with hydraulic setting of the roller position.

- Maximum pressure: 2610 psi
- Tube diameter: 1/4"

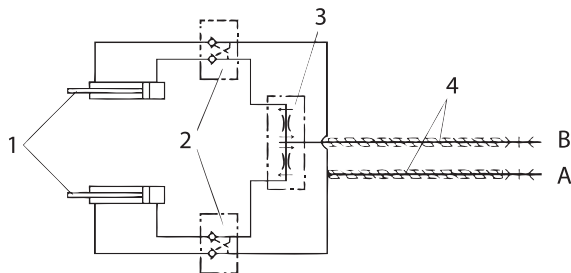


FIG. 27

- A Rear roller lowering.
- B Rear roller lifting.

The two cylinders (1, "Fig. 27"), have an automatic release valve (2"Fig. 27").

- 1 Roller control cylinders.
- 2 3/8" gas locking valve.
- 3 Flow divider valve.

- 4 Sheath to protect the hydraulic pipes.

CAUTION

Check proper tightening of fittings and hydraulic tubes.

5.6.5 INSTALLING HYDRAULIC SEEDER LINKAGE (OPT)

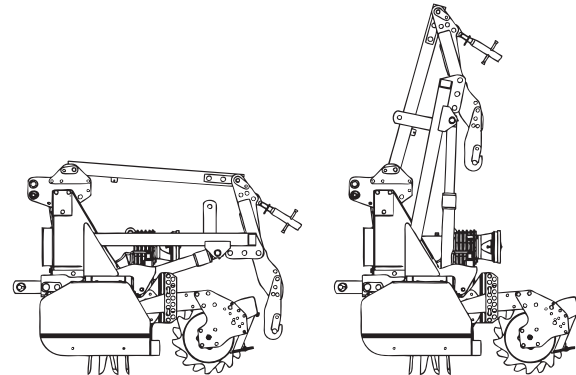


FIG. 28

- Once the frame is fitted on the machine, make sure that to lift the seeder with the seeds, the overall weight of the combine does not exceed the one indicated in the instruction and maintenance manual of the tractor.
- Make sure that the coupling, and the working of the seeder when lifted, is correct and that there is no interference with the hydraulic tubes.
- Make sure that the mechanical parts of the seeder do not interfere with the machine roller or with the machine itself.
- When transporting the machine on public roads, make sure that no blunt object sticks out from the contour of the machine.
- Make sure that the visual signals at the rear of the combine machine can be seen properly or otherwise proceed as required by the Highway code of the country where the machine is being used.

CAUTION

During transport on public roads the seeder hopper must always be emptied of any product.

5.6.6 SEED DRILL HYDRAULIC CONNECTION (OPT)

After installing the linkage to the machine, to check proper operating of the lift, connect the linkage hydraulic tube to the tractor PTO and put pressure so as to allow the activation of the structure on the machine. Carry out this operation load-less two or three times making sure that everything works properly and that there is no mechanical or hydraulic hindrances. Before carrying out these operations, make sure there is no-one near the machine. The descent of the seeder linkage is spontaneous when there is no pressure in the system as the cylinder is at single effect. It is equipped with a check valve in case of a sudden



breakage of the tubes.

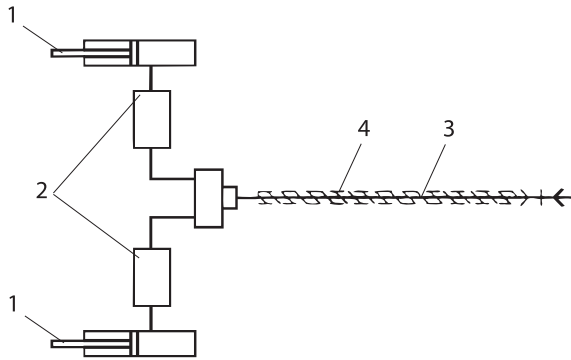


FIG. 29

- 1 Seeder linkage control cylinder.
- 2 Check valve.
- 3 Hydraulic tubes from 3/8" gas.
- 4 Gaiter.

5.6.7 CIRCULATE ON THE PUBLIC ROADS

NOTE

COMPLY WITH THE HIGHWAY CODE REGULATIONS IN FORCE IN YOUR COUNTRY WHEN TRAVELLING ON PUBLIC ROADS.

CONSULT "2.7 OVERALL DIMENSIONS" FOR THE WEIGHT AND DIMENSIONS. THIS WILL ALLOW YOU TO MAKE SURE THAT THE MACHINE CAN PASS THROUGH TUNNELS OR LOW CONSTRUCTIONS WITHOUT DIFFICULTY.

CAUTION

When required by road regulations, on-road transport must be carried out with reflex reflectors, flashing lights, slow vehicle and protruding load signals. Put these signals on the rear side of machine in a well visible manner. When transporting at night or with poor visibility install warning and side marker lights.

It is absolutely forbidden to transport persons or animals on the machine.

When driving round bends with and without the machine, take care of the centrifugal force exercised when the center of gravity is in a different position.

Set the control lever of the tractor's hydraulic lifting control in the locked position when driving on the roads with the machine raised.

When transporting the machine disengage PTO and disconnect the PTO shaft from the tractor.

The machine must be raised at least 16 inches from the ground for road transport.

Ensure that the tractor-machine assembly is stable.

The following expressions must be observed to ensure that the tractor-machine assembly is stable:

$$M \times s \leq 0,2T \times i + Z \times (d+i)$$

$$M \leq 0,3T \text{ (prudential value)}$$

$$Z \geq \{[(M \times s) - (0,2T \times i)] / (d + i)\} \text{ (for calculating the ballast)}$$

where:

i = tractor's wheelbase

d = horizontal distance between the center of gravity of the front ballast and the tractor's front axle

s = horizontal distance between the center of gravity of the machine and the tractor's rear axle

T = weight of the tractor in running order

Z = ballast weight

M = weight of the machine

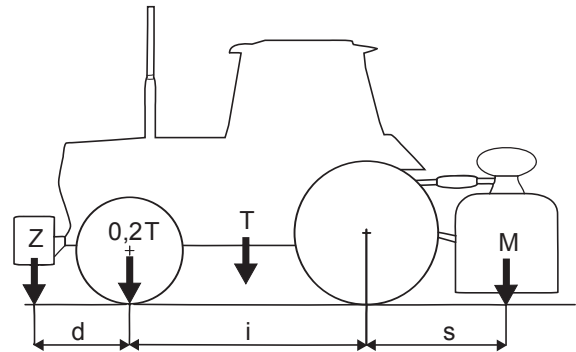


FIG. 30

5.6.8 SETTING WORKING DEPTH

DANGER

Park the machine on a horizontal and stable surface. Disconnect PTO. Turn off the tractor. Put the parking brake on.

NOTE

CHANGING THE POSITION OF THE REAR ROLLER IMPLIES A NEW ADJUSTMENT OF THE LEVELLING BAR.

The adjustment of the machine working depth depends on the position of the rear roller.

Setting with side pins

This solution ("Fig. 31"), not only permits depth adjustment, but also having a floating rear roller (ideal when there are stones). When the roller is lowered, working depth decreases.

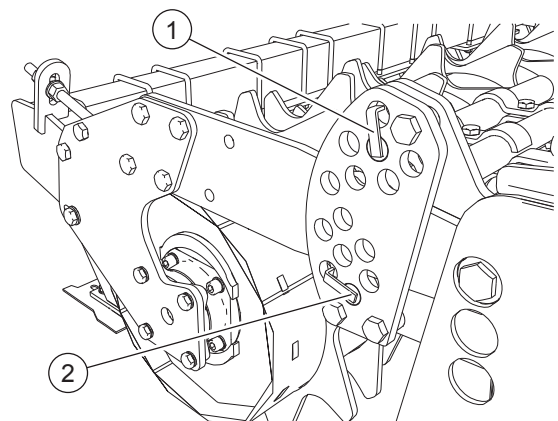


FIG. 31



The machine is on the ground. The roller arm is between the pins (1) and (2).

To lower the roller and reduce the working depth:

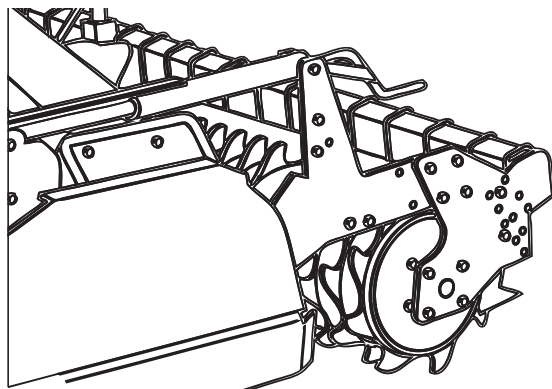
- Remove the pin (2).
- Activate the machine power-lift and lift the machine.
- Move pin (2) into the lowest hole.
- Move pin (1) into the lowest hole.

To lift the roller and increase the working depth:

- Remove the pin (1).
- Activate the tractor power-lift and lower the machine. The roller holder arm goes up.
- Move pin (1) into the highest hole.
- Move pin (2) into the highest hole: the roller must not swing too much when operating.
- Lock the pins: insert the retainer into the nearest hole.

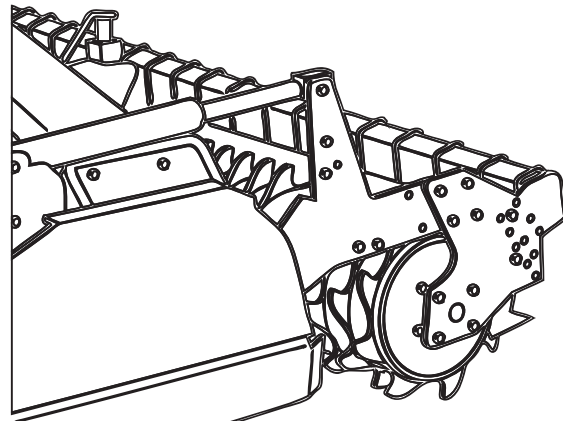
Setting with screw jacks (OPT)

This solution ("Fig. 32") requires two screw jacks at the ends of the machine and adjustable by means of a graduated rod. When the roller is raised, working depth increases. When the roller is lowered, working depth decreases

**FIG. 32**

Setting with hydraulic cylinders (OPT)

This solution ("Fig. 33") for adjusting work depth with hydraulic control cylinders can be implemented from the driving seat, by means of the hydraulic mechanism which controls the two hydraulic cylinders that regulate the rear rollers (8 Fig. 1) thus determining the work depth. Both hydraulic cylinders feature stop valves. When the roller is raised, working depth increases. When the roller is lowered, working depth decreases.

**FIG. 33**

5.6.9 SETTING THE SCRAPERS



CAUTION

Danger of being crushed. Do not put your finger between the scraper and the roller.

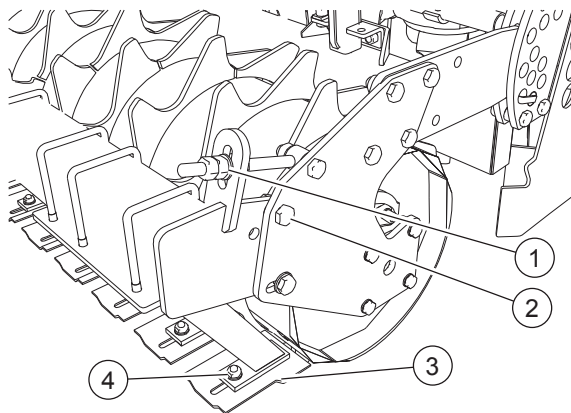
Scrapers allow to free the roller from clods.

The first setting is carried out on the roller scraper bar:

- Loosen nut (2, "Fig. 34").
- Loosen nuts (1) until the scraper is at the desired distance from the roller.
- Tighten all the nuts.

The second setting is carried out on the scraper:

- Loosen nut(4).
- Bring the scraper(3) close to the roller.
- Tighten nut (4).

**FIG. 34**

5.6.10 STARTING WORK



DANGER

Before starting the machine, make sure that the safety devices are in perfect condition.

Never start the machine if there is a suspected mechanical failure. Contact the technical assistance centre.



Before starting work, get familiar with the control devices and their functions.

Check the working area so as to be confident with the soil and check for any possible excessive slopes. Make sure that there are no objects in the area that could be picked up and thrown at a distance. Clear the area of these objects. Check constantly that there are no people, children or pets in the working range of the machine.

Check the rpm rate before engaging the power take-off. Do not switch the 540 rpm rate with the 1000 rpm one.

It is absolutely forbidden to linger within the range of action of the machine when this is operating.

It is absolutely forbidden to get between the tractor and machine while the engine is running and the driveline engaged.

Never engage PTO when the tractor engine is off. Danger of sudden movements when restarting the tractor.

The operator must never leave the driver's seat when the tractor engine is on and/or the machine is running.

Disengage PTO when the machine is not used.

Lower the machine to bring the blades close to the ground, without touching it. Engage PTO. Lower the machine gradually and bring it into working position. The tractor power-lift must be completely lowered.

Begin work with the PTO at full rate. Gradually dig the implement into the ground. Do not depress the accelerator pedal too much with the PTO engaged. To break up the soil to the required degree, you must consider several factors, i.e.:

- the nature of the soil (medium consistency, sandy, clayey, etc.)
- the work depth
- the ground speed of the tractor
- optimum machine adjustment

Soil crumbling is obtained at a low tractor ground speed, with the rear bar lowered and the blades spinning at 300 rpm. Besides holding back the clods already broken up by the blades, the rear bar also obtains a well levelled and uniform surface after the soil has been worked. Adjust the roller (8 Fig. 1) to suit the degree to which the soil must be crumbled, engage the PTO and begin to move forward with the tractor, progressively lowering the implement. Cover a short distance, then check to make sure that the work depth, soil crumbling and ground levelling operations have been carried out in the required way.

CAUTION

The speed of the tractor when the machine is operation must not exceed 3-4 mph or components could be broken or damaged.

Always disengage PTO when lifting the machine to prevent the PTO shaft working at a too big angle (see PTO shaft instruction manual).

Lift the machine from the ground when working in curve or in reverse.

5.6.11 SETTING THE POSITION OF THE REAR BAR

DANGER

Park the machine on a horizontal and stable surface. Disengage PTO. Turn the tractor off. Put the parking brake on.

CAUTION

Danger of breakage. Never lower the rear bar more than the length of the blades. The rear bar must never touch the ground.

To level and crumble the soil to a greater degree, the harrow has a levelling bar (1, "Fig. 35") positioned behind the tines. It can be adjusted in height by means of crank screws (2, "Fig. 35"). Make the adjustments by keeping the bar at the same distance from the soil as far as possible. Avoid using the bar at depth as it could be damaged. It is recommended to start working with the levelling bar in a high position. Set gradually the position of the bar by rotating the crank(3) until the desired position is reached.

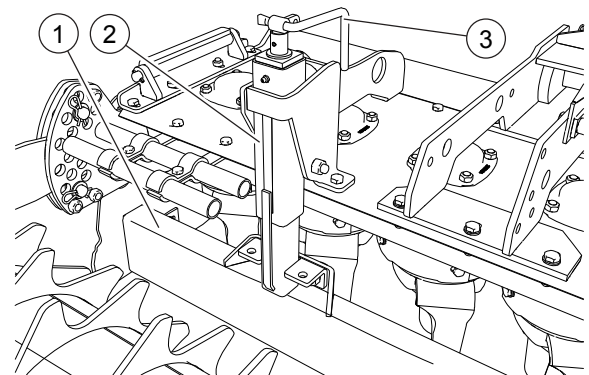


FIG. 35

5.6.12 SETTING THE SIDE SHIELD

DANGER

Danger of being caught up, being cut or having objects thrown. The side shield must cover completely the part of the blade which comes out of the ground.

After setting the position of the roller, set the height of the side shields from the ground.

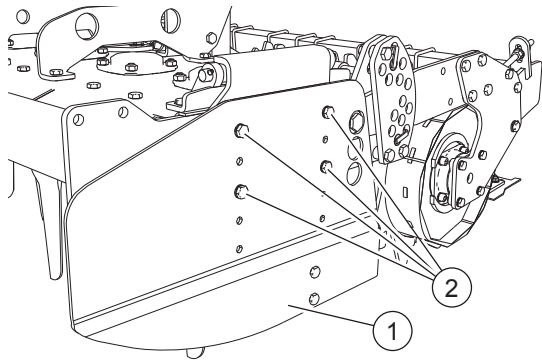


FIG. 36

Loosen screws (2, "Fig. 36"). Raise and lower the side shield (1). Tighten screws (2).

► **OPT** The side shield with connecting rods does not need any setting.

5.6.13 STOPPING

At the end of work the operator must:

- Park the machine on a horizontal and stable surface.
- Disengage the tractor PTO.
- Lower the machine to the ground.
- Stop the tractor and engage the parking brake.
- Make sure that all parts of the machine have come to a standstill.

Only after the above mentioned operations have been carried out may the operator leave the tractor unattended.

5.6.14 PROCEDURES IN CASE OF ACCIDENTS OR MECHANICAL FAILURES

In case of accident you must always:

- Turn the tractor off. Put the parking brake on.
- Move the injured person away and check their conditions. According to the seriousness of the accident call the casualty department.
- If the person has caught up their clothes in parts of the machine cut the clothes to free them.
- Inform the competent authorities.

In case of shutdown of the machine or following any malfunction or breakdown, always do as follows:

- Turn the tractor off. Put the parking brake on.
- Identify the cause of the shutdown or the malfunction. According to their assigned tasks the operator can carried out simple operations of removing caught up material. For disassembling the machine contact the Technical assistance centre.
- After returning to the normal efficiency conditions you can restart.

In case of smoke coming out or obvious signs of fire in any point of the machine proceed as follows:

- Turn the tractor off. Put the parking brake on.
- Put out the fire using only CO₂ extinguishers.
- To reactivate the machine contact the Technical assistance centre.

5.6.15 UNHITCHING THE MACHINE FROM THE TRACTOR

! DANGER

Park the machine on a horizontal and stable surface. Disengage PTO. Turn off the tractor. Take the key out of the dashboard.

! CAUTION

Danger of being hit and crushed. Before disconnecting the machine from the tractor power-lift check that the machine is stable on the ground.

- Check that there are no foreign bodies in the parking area of the machine.
- Move to the parking area of the machine.
- Turn off the tractor.
- Lower completely the machine to the ground.
- Turn off the tractor engine and apply the parking brake.

► **OPT** With the tractor stopped, its engine off and the components at a complete standstill, operate the levers of the hydraulic circuit so as to relieve the pressure from inside the pipes. This will allow you to re-connect the quick couplings with greater ease.

► **OPT** Disconnect the quick couplings

- Pull out the PTO shaft from the tractor PTO and place it on its support.
- Disconnect the top link rod.
- Disconnect the power lift links.
- Switch on the tractor engine and move away.

i NOTE

ONCE UNHITCHED FROM THE TRACTOR, THE MACHINE MUST BE KEPT IN A DRY PLACE, SHELTERED FROM ADVERSE WEATHER CONDITIONS.

PREVENT ANIMALS, CHILDREN OR UNAUTHORIZED PEOPLE FROM FREE ACCESS TO THE MACHINE.

5.6.16 PREPARING FOR STORAGE

At the end of the working season or if the machine is to remain idle for a long period of time, proceed as follows:

- Wash the machine and most of all wash off fertilizers and chemical products and dry it.
- Carefully check the machine and replace any damaged or worn parts if necessary.
- Fully tighten all the screws and bolts, and particularly the ones fixing the blades.
- Thoroughly grease the machine and then cover it with a tarpaulin and store it in a dry place.

i NOTE

IF THESE OPERATIONS ARE CARRIED OUT WITH CARE, IT WILL



BE ALL TO THE USER'S ADVANTAGE AS THE EQUIPMENT WILL BE IN OPTIMUM CONDITIONS WHEN NEEDED AGAIN

6 MAINTENANCE

6.1 SAFETY WARNINGS

 **NOTE**

READING THIS CHAPTER IMPLIES THAT, FOR A SAFE USE OF THE MACHINE, WHAT IS CONTAINED IN THE PARAGRAPH HAS BEEN FULLY UNDERSTOOD "2.1 GENERAL SAFETY WARNINGS".

LOWER RUNNING COSTS AND A LONGER MACHINE LIFE DEPEND ON CONSTANT OBSERVANCE OF THESE INSTRUCTIONS.

SERVICING FREQUENCIES INDICATED IN THIS MANUAL ARE INDICATIVE AND REFER TO NORMAL WORKING CONDITIONS. ANYHOW THEY MAY VARY ACCORDING TO THE TYPE OF USE, WHETHER THE ENVIRONNEMENT IS DUSTY OR NOT, SEASONAL FACTORS ETC. SERVIVING OPERATIONS MUST OBVIOUSLY BE CARRIED OUT MORE FREQUENTLY IN HEAVIER DUTY CONDITIONS. AS TIME PASSES IT IS NECESSARY TO INCREASE THE FREQUENCY OF THE ROUTINE MAINTENANCE OPERATIONS.

 **DANGER**

Observe the safety instructions, the intervals and the procedures indicated in the routine maintenance.

Proceed with maintenance and cleaning operations always after putting the machine in a safety position (see "6.2 Machine in safety position").

Leave at least a one meter space around the machine when performing maintenance operations.

Before starting the machine, after repairs, for testing, check that no-one stands or passes in the working zone of the blades. Always clamp the raised component to prevent it from falling.

Never work alone under the machine or when carrying out repair or maintenance operations.

It is not proper that, in case of breakdown or malfunction, operators not properly trained and qualified, try to find out the causes of the malfunction or the failure.

 **CAUTION**

Never carry out welding, grinding and drilling operations without prior authorization and instructions from the Manufacturer.



ALWAYS WEAR GLOVES TO PROTECT YOUR HANDS



ALWAYS WEAR PROTECTIVE CLOTHING TO PROTECT YOUR BODY



ALWAYS WEAR SAFETY BOOTS

6.2 MACHINE IN SAFETY POSITION

 **DANGER**

Park the machine on a horizontal and stable surface.

Disengage PTO. Turn the tractor off. Put the parking brake on. Remove the keys from the dashboard.

Remove the PTO shaft from the tractor PTO. Place the PTO shaft on its support.

Unhitch the machine from the tractor power-lift unit.

6.3 SCHEDULED MAINTENANCE

The hours refer to the working of the machine. The days and years refer to the solar cycle.

6.3.1 AFTER THE FIRST 8 HOURS SERVICE

Maintenance operations	Qualifications	State of the machine	n° of oper.
Overall check of the machine	Operator	Machine in a safety position	1
Check tightening of all nuts and bolts	Operator	Machine in a safety position	1

6.3.2 EVERY 8 HOURS/1 DAY SERVICE

Maintenance operations	Qualifications	State of the machine	n° of oper.
Check efficiency and wear and tear of the guards	Operator	Machine in a safety position	1
Check fastening of all guards	Operator	Machine in a safety position	1
Check/reset the existence and connections of pins, split pins and retainers	Operator	Machine in a safety position	1
Check lubricant leaks	Operator	Machine in a safety position	1
Greasing	Operator	Machine in a safety position	1

6.3.3 EVERY 20 HOURS SERVICE

Maintenance operations	Qualifications	State of the machine	n° of oper.
Check that the blade screws are fully tightened	Operator	Machine in a safety position	1



Maintenance operations	Qualifications	State of the machine	n° of oper.
Check wear of the blades	Operator	Machine in a safety position	1
Greasing of the PTO shaft	Operator	Machine in a safety position	1

6.3.4 AFTER 100 HOURS SERVICE

Maintenance operations	Qualifications	State of the machine	n° of oper.
Check/change oil in the flat pan	Operator	Machine in a safety position	1
Check/change oil in the gearbox	Operator	Machine in a safety position	1

6.3.5 EVERY 500 HOURS/1 YEAR SERVICE

Maintenance operations	Qualifications	State of the machine	n° of oper.
Change oil in the gearbox	Operator	Machine in a safety position	1

6.3.6 PTO SHAFT MAINTENANCE

CAUTION

As per the PTO shaft maintenance, follow scrupulously the instructions given in the instruction manual of the PTO shaft.

6.3.7 CHECKING GUARDS

	Operator
--	----------

CAUTION

Any changes in colour or any signs of cracks or fissures indicate that the guard has lost its original features and immediately replace it with an original spare part.

- Check for the presence or the wear and tear of the PTO guards.
- Check the wear and tear of the PTO shaft guards.
- Check for the restraining chains.

6.3.8 REPLACING BLADE

	Operator
--	----------

DANGER

Before carrying out maintenance regarding cutting blades put the machine in a safety position (see “6.2 Machine in safety position”).

When servicing or replacing blades with the lifted machine, put stands under the machine. Prevent risk of being crushed if the machine falls.

The blades fitted on the implement are suitable for soil of a normal consistency. If the blades should accidentally bend (or break) during work, they must be immediately replaced. Make sure that the new blades are mounted in exactly the same positions as the old ones. If several blades must be replaced, it is advisable to demount and remount them one at a time in order to avoid positioning errors. The sharp side of the blades must point towards the direction in which the blade rotor turns.

To replace blades, put the machine in a safety position (see “6.2 Machine in safety position”):

- Unhitch the machine from the tractor (see “5.6.15 Unhitching the machine from the tractor”).
- Lift the machine (see “3.2 Handling”).
- Put two bearing stands at the sides of the machine (for machine weight, see “3.2 Handling”). Place the machine on the stands. Do not remove the lifting hook.
- Place yourself under the machine.
- Remove the collar clamp.
- Loosen the two bolts (2, “Fig. 37”).
- Remove the block (1).
- Remove the blade (3) sideways.
- Replace the worn blade with a new one.

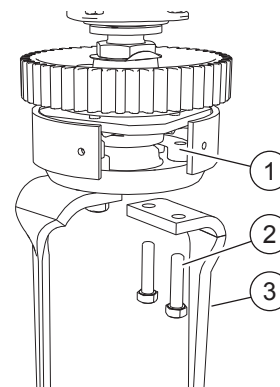


FIG. 37

To fit back the blade do the same procedure in reverse order.

NOTE

THE BLADES ARE RIGHT AND LEFT. CHECK THE DIRECTION OF ROTATION OF THE ROTOR AND FIT THE BLADES PROPERLY.

TO REMOVE THE OTHER BLADE BRING IT TO THE OPENING WHERE THE COLLAR CLAMP IS TIGHTENED. INSERT A LEVER BETWEEN THE TWO BLADES. ROTATE FORCEFULLY UNTIL YOU BRING THE BLOCK OF THE OTHER BLADE IN FRONT OF THE OPENING, ON THE ROTOR.



CAUTION

Danger of falling. When rotating the rotor with a lever, the blades could hit the stands. Leave the machine hitched to the lifting hook. Proceed carefully and plan all the working phases.

CAUTION

The bolts that holding the tools must have their heads on the side of the tool, and the nut on the side of the support. Comply the driving torque value.

Bolt driving torque (Nm)

Classe	6.6	8.8	10.9	12.9
M8x1	15	26	36	44
M10x1,25	30	52	74	88
M12x1,25	51	91	127	153
M14x1,5	81	143	201	241
M16x1,5	120	214	301	361
M18x1,5	173	308	433	520
M20x1,5	242	431	606	727
M22x1,5	321	571	803	964
M24x2	411	731	1028	1234

6.3.9 REPLACING SUPERFAST BLADES (OPT)

Operator

NOTE

READ THE WARNINGS INDICATED IN THE PREVIOUS PARAGRAPH TO PUT THE MACHINE IN A SAFETY POSITION.

- Remove split pin (3, "Fig. 38").
- Take bushing out (2).
- Take blade out (1).

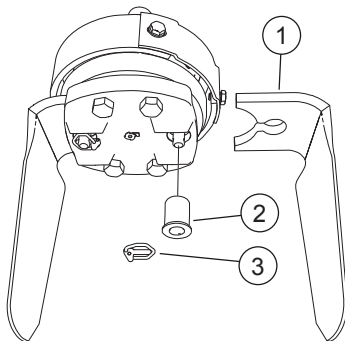


FIG. 38

To fit back the blade do the same procedure in reverse order.

6.3.10 REPLACING HYDRAULIC SYSTEM TUBES (OPT)

Operator

CAUTION

Before removing a pipe fitting, a hydraulic pipe or a part of the hydraulic system, release the pressure in the circuit.

Injury risk. Do not use your hands for searching hydraulic leaks. Use a piece of cardboard or a piece of wood.

ALWAYS WEAR GOGGLES TO PROTECT YOUR EYESIGHT

ALWAYS WEAR GLOVES TO PROTECT YOUR HANDS

6.3.11 CHANGING THE ROTATING SPEED OF THE BLADES

Operator

DANGER

Park the machine on a horizontal and stable surface. Disengage PTO. Turn off the tractor. Put the parking brake one. Remove keys from the dashboard.

CAUTION

Danger of hot surfaces. The gearbox can reach very high temperatures. Wait for the parts and the oil in the gearbox to cool down.

Dispose of used oil in compliance with the directives of anti-pollution laws.

NOTE

TAKE CARE NOT TO MISTAKE GEARS AS YOU CANNOT FIT GEARS WITH TORQUES DIFFERENT FROM THE ONES INDICATED IN THE TABLE.

The tine rotors can spin at various speeds, depending on the gear pairs mounted in the gearbox. It also allows the soil to be broken up to various degrees depending on its nature, the amount of moisture it contains, the ground speed, etc.

Only use the pairs indicated in the table:

GEARBOXES - PTO 540 RPM

A (PTO)	32	30	33
B	24	26	23
Speed (RPM)	348	301	374

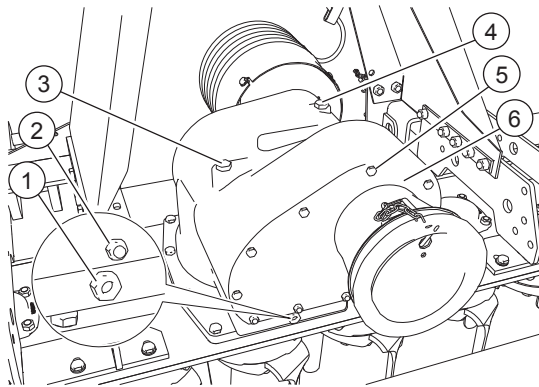
**GEARBOXES - PTO 1000 RPM**

A (PTO)	24	22	25
B	32	34	31
Speed (RPM)	362	312	389

The faster the rotors spin, the more the soil is crumbled, but tractor power draw and blade wear will also be greater. You are advised to use the lowest rotation speed able to work the soil in the required way.

To change speed of the blades do as follows:

- Remove the guard of the rear PTO.
- Loosen screws (5, "Fig. 39") and nuts (2). Remove the cap (6).
- Take out the gears from the shafts.
- Exchange the two gears or insert another couple of gears.
- Fit back the cap (6). Tighten bolts and nuts.
- Fit back the PTO guard.

**FIG. 39****6.3.12 CHECK/CHANGE OIL IN THE GEARBOX**

	Operator
--	----------

To check the oil level in the gearbox loosen the filler cap with dipstick (3, "Fig. 39"). Check the level with the dipstick. If necessary fill with oil up to the right level.

To change oil:

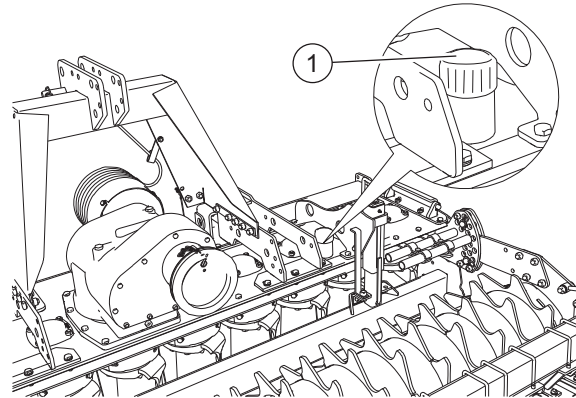
- Place a basin under the oil drain plug (1).
- Loosen the oil drain plug.
- Loosen the level indicator cap (3). Drain all the oil contained in the gearbox.
- Tighten the oil drain plug (1).
- Fill the gearbox with oil.
- Loosen the level indicator cap (1).
- Loosen the filler cap (4).
- Fill with oil up to level.
- Tighten the filler cap (4) and the level indicator cap (3).

For the type of oil to use see paragraph "6.4.2 Recommended lubricants".

6.3.13 CHECK/CHANGE OIL IN THE FLAT PAN

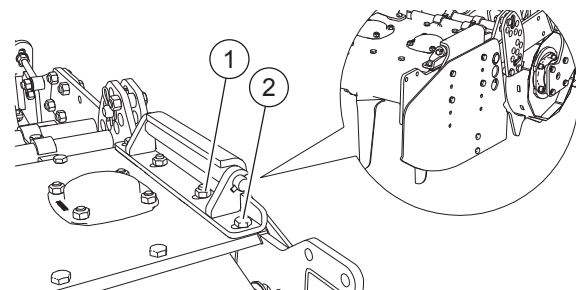
	Operator
--	----------

Loosen the oil filler cap on the trough (1, "Fig. 40"). The proper level is 1cm under the upper surface of the rotor gear.

**FIG. 40**

To replace oil in the trough remove the side shield on the left or the right side.

- Loosen the bolts (2, "Fig. 41").
- Loosen the nuts (1).
- Remove unit with the side shield.

**FIG. 41**

- Place a basin under the oil drain plug (3, "Fig. 42").
- Loosen the oil drain plug.
- Loosen the oil filler cap ("Fig. 40").
- Drain all the oil contained in the flat pan.
- Tighten the oil drain plug (3).
- Pour oil up to level.

For the type of oil to use see paragraph "6.4.2 Recommended lubricants".

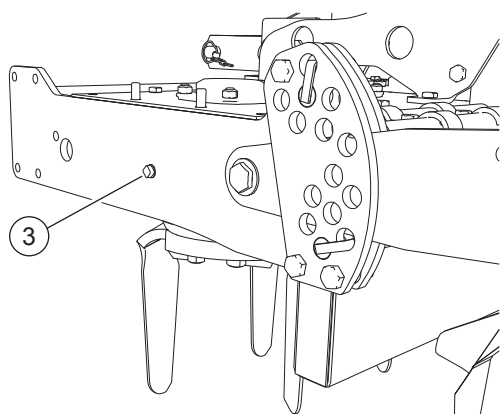


FIG. 42

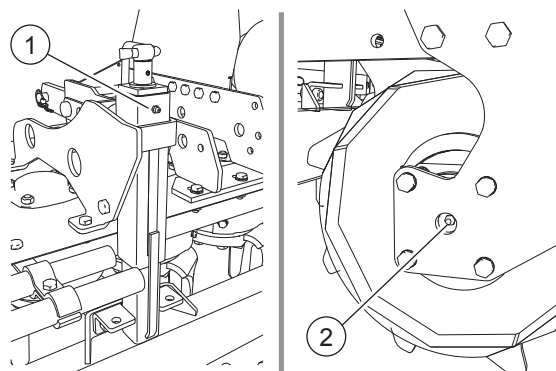


FIG. 43

6.4 LUBRICATION

DANGER

Proceed with maintenance and cleaning operations only after putting the machine in a safety position (see “6.2 Machine in safety position”).

Keep lubricants out of children reach.

CAUTION

Lubricate and grease all the required points.

Read carefully warnings and caution on the lubricant containers.

Wash hands thoroughly after use.

Dispose of used oil in compliance with the directives of anti-pollution laws.

NOTE

ALWAYS USE THE SAME TYPE OF RECOMMENDED OIL WHEN TOPPING UP OR CHANGING.

6.4.1 LUBRICATION POINTS

The servicing frequencies indicated in this manual refer to normal conditions of use in normal environment. If the machine is used in more severe environmental conditions servicing operations will have to be carried out more frequently. Before injecting lubricating grease into the lubricator, carefully clean the grease nipples to prevent mud, dust or foreign bodies from mixing with the grease thus reducing or even annull the lubricating effect.



LUBRICATING POINTS OF THE MACHINE ARE INDICATED ON THE SPECIFIC DECAL.

- Grease gun on screw jack (1, “Fig. 43”).
- Roller support grease gun (2).

NOTE

INJECTING A LARGE QUANTITY OF OIL INTO THE GREASING POINTS AT HIGH PRESSURE CAN DAMAGE THE BEARING PROTECTIONS.

6.4.2 RECOMMENDED LUBRICANTS

Group	Type	Litres	U.S. gal.
Flat pan Version 250	Oil COLUMBIA V.V. GEAR EP460	22	5.82
Flat pan Version 300	Oil COLUMBIA V.V. GEAR EP460	24	6.35
Flat pan Version 350	Oil COLUMBIA V.V. GEAR EP460	26	6.87
Gearbox	Oil SAE 85W/140, specifiche API-GL5/MIL-L-2105C	5,8	1.53
All greasing points	Lithium grease	/	/

6.5 CLEANING



Operator

DANGER

In case of material clogging between blades, never try to clean the machine when running. First put the machine in a safety position (see “6.2 Machine in safety position”). Wait until all the parts of the machine are completely still and perform cleaning carefully.

CAUTION

The decals on the machine must always be visible. Keep decals clean. Replace decals if they are worn. Ask the Manufacturer for spare parts (see “8.1 List of spare parts critical for safety”).

Using pressure washers or air guns can detach decals.

**ALWAYS WEAR GOGGLES TO PROTECT YOUR EYESIGHT**

Clean off the machine of fertilizers and chemicals and dry it. Only use commercial inflammable and non toxic solvents.

6.6 TROUBLESHOOTING

Problem	Solution
Depth too shallow	<ul style="list-style-type: none"> • Check the depth adjustment. • Move forward more slowly. There may be insufficient tractor power. Raise the rear roller. • Further runs will be required if the soil is too hard. • The blades slide over the ground instead of digging into the soil: advance more slowly.
Soil crumbled too finely	<ul style="list-style-type: none"> • Lower the speed of the blade rotors. • Increase the tractor ground speed.
Soil insufficiently worked	<ul style="list-style-type: none"> • Increase the speed of the blade rotors. • Reduce the ground speed. • Do not work if the soil is too wet. • If the levelling bar is installed, try lifting or lowering it.
Clogged rotors	<ul style="list-style-type: none"> • Soil too wet to work. • Raise the levelling bar. • Reduce the ground speed. • Do not work where the grass is too tall
The machine jolts over the ground or vibrates	<ul style="list-style-type: none"> • Foreign bodies locked between the blades. • Blades incorrectly mounted in the wrong positions. • Worn or broken blades. • Blades bent during work after hitting stones or having worked excessively hard soil.
The machine vibrates too much	<ul style="list-style-type: none"> • Reduce the ground speed of the tractor. • Adjust the machine in the correct way, as described in the instructions. • Clean the rotors. They could be clogged. • Check whether any blades are broken. Replace them if this is the case.
The rotors turn in an uneven way	<ul style="list-style-type: none"> • Make sure that the driveline clutch is regulated correctly. • Excessively elastic clutch springs. Replace the springs.

Problem	Solution
The gearboxes overheat	<ul style="list-style-type: none"> • Check the oil level and top up if necessary.
The driveline clutch overheats	<ul style="list-style-type: none"> • Check the clutch plates for wear. Have them replaced by an authorized workshop if necessary. • Excessively elastic clutch springs. Replace the springs.

7 DISMANTLING AND DISPOSAL**i NOTE**

OBSERVE LAWS IN FORCE IN THE COUNTRY WHERE THE MACHINE IS BEING USED WITH REGARD TO THE USE AND THE DISPOSAL OF PRODUCTS USED FOR CLEANING AND SERVICING THE MACHINE, AS WELL AS OBSERVE THE INDICATIONS GIVEN BY THE PRODUCER OF THESE PRODUCTS.

IN CASO DI DISMANTLING OF THE MACHINE, OBSERVE THE ANTI-POLLUTION LAWS IN FORCE IN THE COUNTRY WHERE THE MACHINE IS BEING USED.

When dismantling the machine comply with anti-pollution laws and in particular dispose of used lubricants and various elements according to their different structures.

8 SPARE PARTS**8.1 LIST OF SPARE PARTS CRITICAL FOR SAFETY**

The codes of the decals are indicated in the table in paragraph "2.5 Decals applied onto the machine".

Description	Code
PTO guard tractor side	E1200196
PTO guard rear side	E1200197
PTO guard cap seed drill side	0054333
Left side shield (STD)	E3000016
Right side shield (STD)	E3000013
Side shield with connecting rod right side (OPT)	E3000137
Side shield with connecting rod right side (OPT)	E3000140

8.2 HOW TO ORDER SPARE PARTS**! CAUTION**

Spare parts must comply with the requirements established by the Manufacturer. Only use genuine spare parts.

All the parts forming the machine can be ordered from the Manufacturer, specifying:



- Machine model.
- The serial number of the machine.
- The year of manufacture.
- The serial number of the required part (indicated in the spare parts catalogue), a description of the part and the required quantity.

Transport way: if this is not specified, the Manufacturer will dedicate particular care to the service but shall not be liable for delays in shipment due to unforeseen circumstances. The shipping costs are always at the consignee's charge. The goods travel at the purchaser's risk and peril even when sold carriage paid.

BREVIGLIERI SPA is always at your disposal for any assistance and/or spare parts you may require.



TAVOLE RICAMBI • SPARE PARTS TABLES • PLANCHES DES PIÈCES DETACHÉES • LAMINAS REPUESTOS • ERSATZTEILTAFELN

ITALIANO - TAVOLE RICAMBI

Tav. 1	Castello a tre punti	141
Tav. 2	Vasca macchina	142
Tav. 3	Trasmissione laterale	143
Tav. 4	Rotore SUPERFAST	144
Tav. 5	Trasmissione centrale	145
Tav. 6	Regolazione rullo meccanica	146
Tav. 7	Regolazione rullo idraulica	147
Tav. 8	Kit idraulico regolazione rullo	148
Tav. 9	Barra livellatrice	149
Tav. 10	Kit spondina standard	150
Tav. 11	Kit spondina basculante	151
Tav. 12	Ancora rompitraccia rigida	152
Tav. 13	Kit collegamento rulli v.350	153
Tav. 14	Rullo Packer	154
Tav. 15	Rullo Gabbia	155
Tav. 16	Rullo Dentato	156
Tav. 17	Protezioni CE	157
Tav. 18	Regolazione rullo per seminatrice MaterMacc	158
Tav. 19	Rullo Packer per seminatrice MaterMacc	159
Tav. 20	Rullo Gommato per seminatrice MaterMacc	160
Tav. 21	Rullo Gabbia per seminatrice MaterMacc	161

ENGLISH - SPARE PARTS

Tav. 1	Three-point hitch	141
Tav. 2	Machine tank	142
Tav. 3	Side transmission (final drive unit)	143
Tav. 4	SUPERFAST rotor	144
Tav. 5	Central transmission (final drive unit)	145
Tav. 6	Mechanical roller adjustment	146
Tav. 7	Hydraulic roller adjustment	147
Tav. 8	Hydraulic kit for roller adjustment	148
Tav. 9	Levelling bars	149
Tav. 10	Side panel kit standard	150
Tav. 11	Swinging side Kit	151
Tav. 12	Rigid finisher tine	152
Tav. 13	Roller connecting kit v.350	153
Tav. 14	Packer roller	154
Tav. 15	Cage roller	155
Tav. 16	Sprocket roller	156
Tav. 17	CE Protections	157
Tav. 18	Roller adjustment for MaterMacc seeder	158
Tav. 19	Packer roller for MaterMacc seeder	159
Tav. 20	Rubber roller for MaterMacc seeder	160
Tav. 21	Cage roller for MaterMacc seeder	161

FRANÇAIS - PLANCHES DES PIÈCES

Tav. 1	Bâti à trois points	141
Tav. 2	Cuve machine	142
Tav. 3	Ensemble transmission latérale	143
Tav. 4	Rotor SUPERFAST	144
Tav. 5	Ensemble transmission central	145
Tav. 6	Réglage mécanique rouleau	146
Tav. 7	Réglage hydraulique rouleau	147
Tav. 8	Kit hydraulique réglage rouleau	148
Tav. 9	Barres de nivellement	149
Tav. 10	Kit ridelle standard	150
Tav. 11	Kit ridelle basculante	151
Tav. 12	Ancre efface trace rigide	152

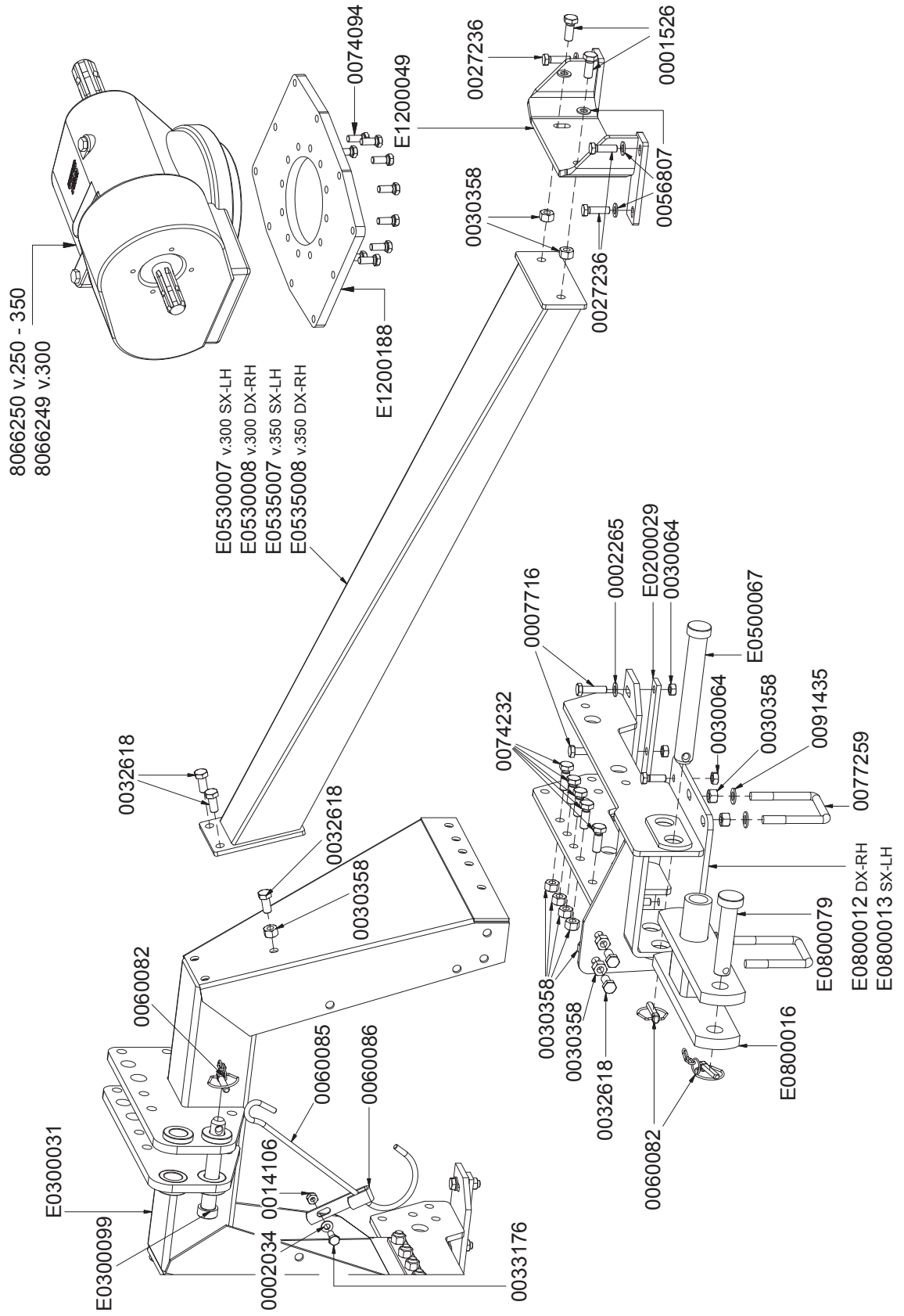
Tav. 13	Jeu de connexion du rouleau v.350	153
Tav. 14	Rouleau Packer	154
Tav. 15	Rouleau à cage	155
Tav. 16	Rouleau hérissé	156
Tav. 17	CE protections	157
Tav. 18	Réglage rouleau pour semoir MaterMacc	158
Tav. 19	Rouleau Packer pour semoir MaterMacc	159
Tav. 20	Rouleau caoutchouc pour semoir MaterMacc	160
Tav. 21	Rouleau à cage pour semoir MaterMacc	161

DEUTSCH - ERSATZTEILTAFELN

Tav. 1	Gerätedreieck, geräteseitig	141
Tav. 2	Maschinenwanne	142
Tav. 3	Gruppe Seitenantrieb	143
Tav. 4	SUPERFAST Rotor	144
Tav. 5	Gruppe Seitenantrieb Zentrales	145
Tav. 6	Mechanische Radeinstellung	146
Tav. 7	Hydraulische Radeinstellung	147
Tav. 8	Hydraulischer Bausatz Walzeneinstellung	148
Tav. 9	Planierbalken	149
Tav. 10	Bausatz Seitenwand Standard	150
Tav. 11	Bausatz Kippwand	151
Tav. 12	Anker für Spurbrecher gefedert/starr	152
Tav. 13	Walze Anschluss-Set v.350	153
Tav. 14	Packwalze	154
Tav. 15	Käfigwalze	155
Tav. 16	Stachelwalze	156
Tav. 17	CE schutzvorrichtungen	157
Tav. 18	Radeinstellung für MaterMacc drill	158
Tav. 19	Packwalze für MaterMacc drill	159
Tav. 20	Gummi walze für MaterMacc drill	160
Tav. 21	Käfigwalze für MaterMacc drill	161

ESPAÑOL - LAMINAS REPUESTOS

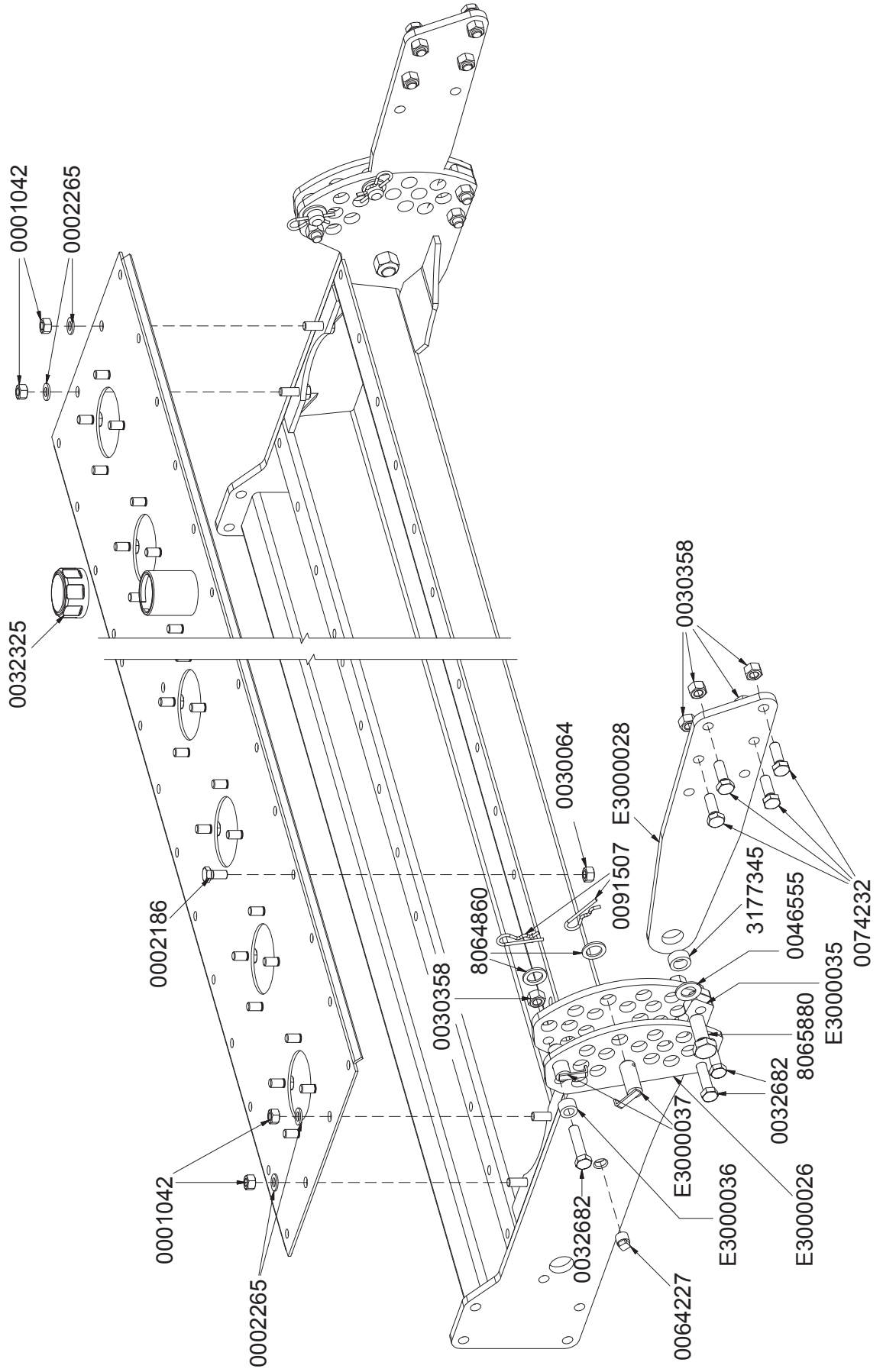
Tav. 1	Armazón de tres puntos	141
Tav. 2	Tanque máquina	142
Tav. 3	Grupo transmisión lateral	143
Tav. 4	Rotor SUPERFAST	144
Tav. 5	Grupo transmisión central	145
Tav. 6	Regulación mecánico rodillo	146
Tav. 7	Regulación hidráulica rodillo	147
Tav. 8	Kit hidráulico regulación rodillo	148
Tav. 9	Barras niveladoras	149
Tav. 10	Kit lateral standard	150
Tav. 11	Kit lateral basculante	151
Tav. 12	Anclaje borrasurcos rígido	152
Tav. 13	Juego de conexión rodillo v.350	153
Tav. 14	Rodillo Packer	154
Tav. 15	Rodillo de jaula	155
Tav. 16	Rodillo dentado	156
Tav. 17	CE protecciones	157
Tav. 18	Regulación rodillo para sembradora MaterMacc	158
Tav. 19	Rodillo Packer para sembradora MaterMacc	159
Tav. 20	Rodillo de caucho para sembradora MaterMacc	160
Tav. 21	Rodillo dentado para sembradora MaterMacc	161



Tav. 1

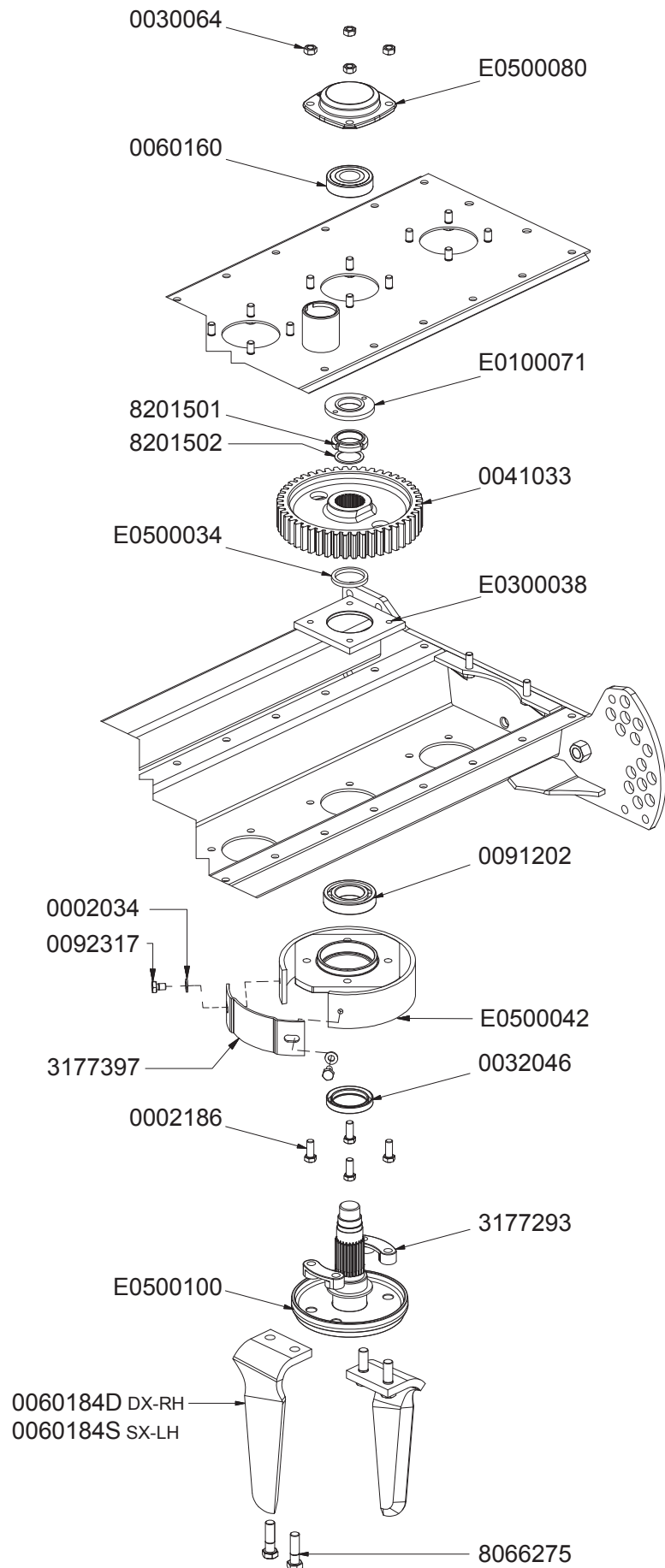


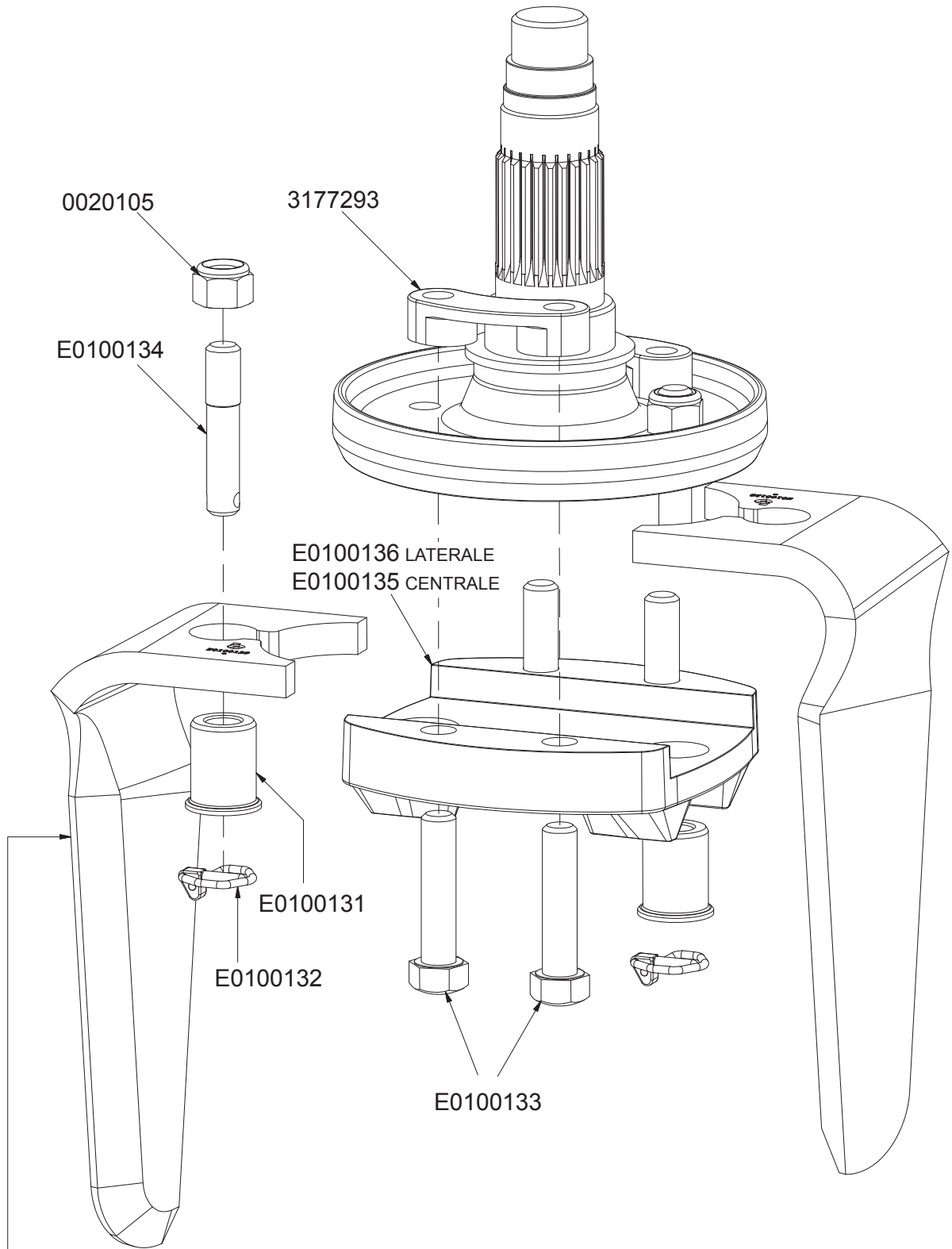
Tav. 2





Tav. 3

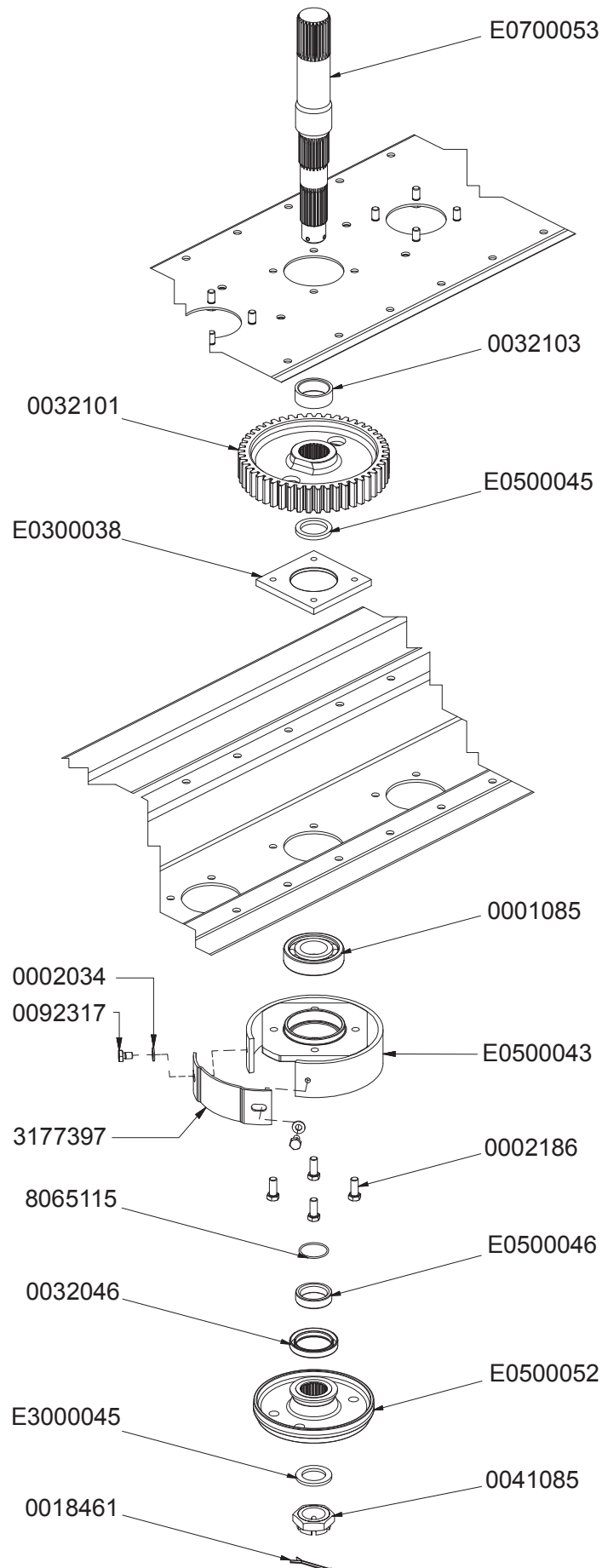




E0100130 DX-RH
E0100129 SX-LH

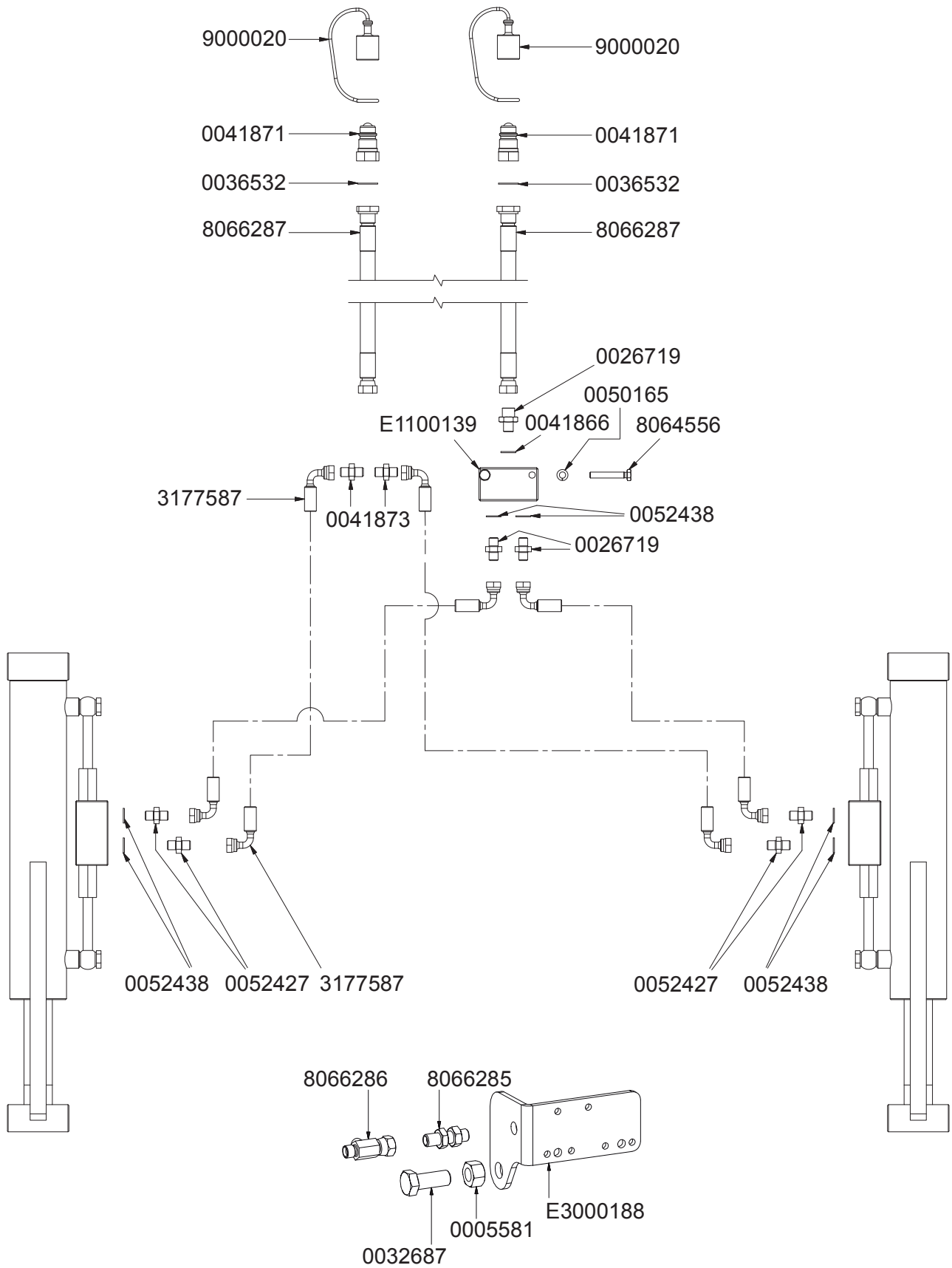


Tav. 5





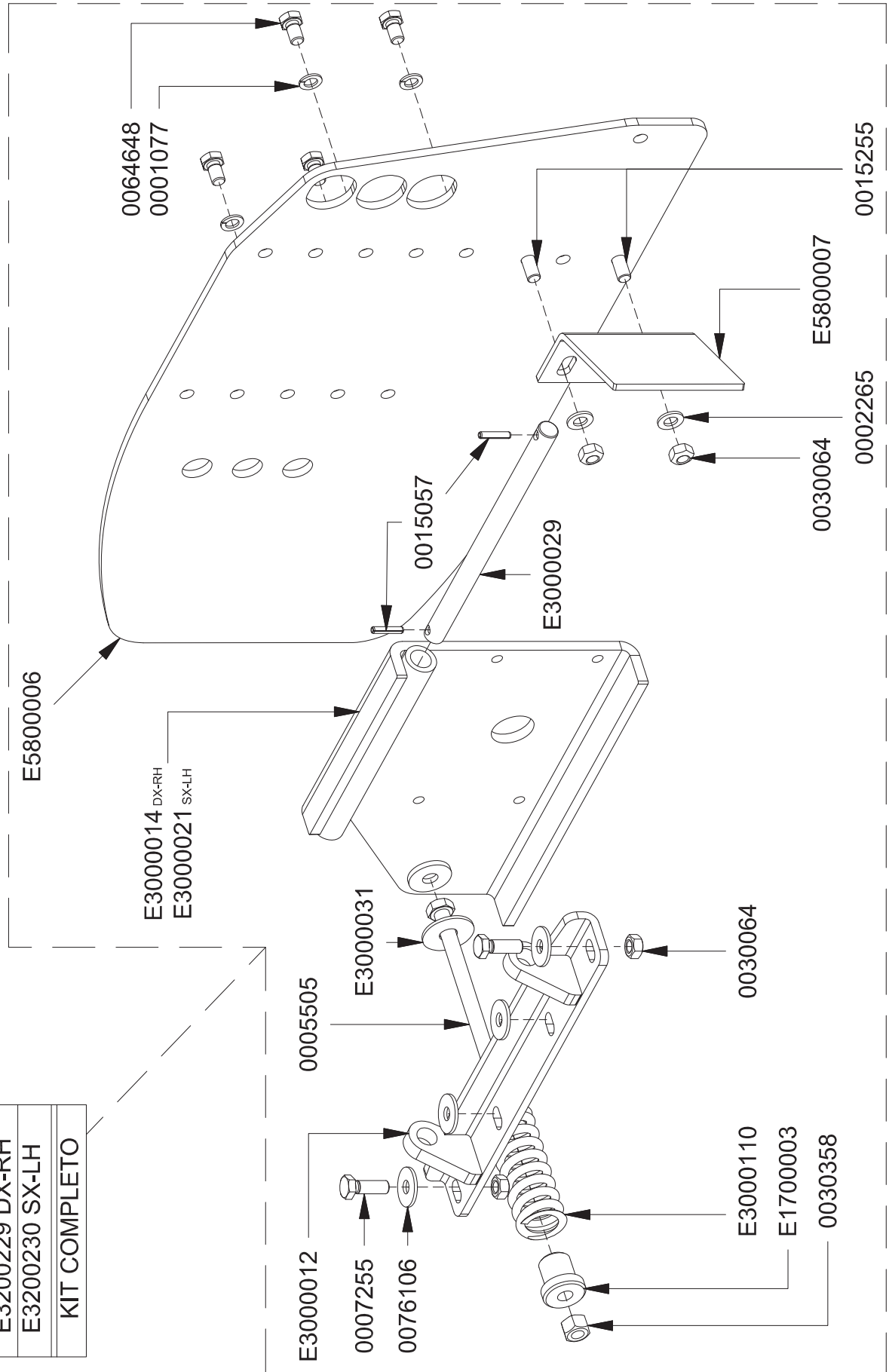
Tav. 8





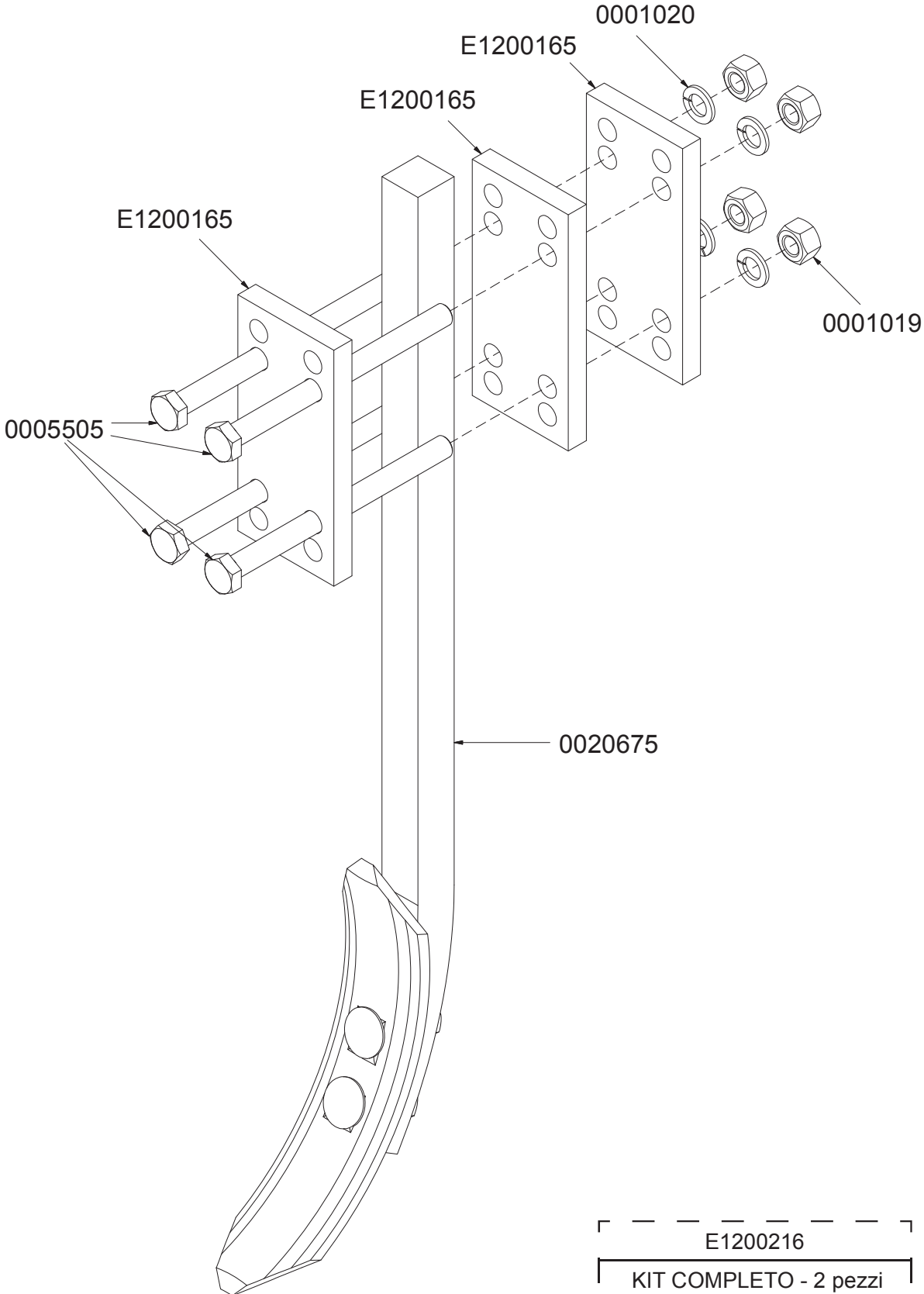
Tav. 10

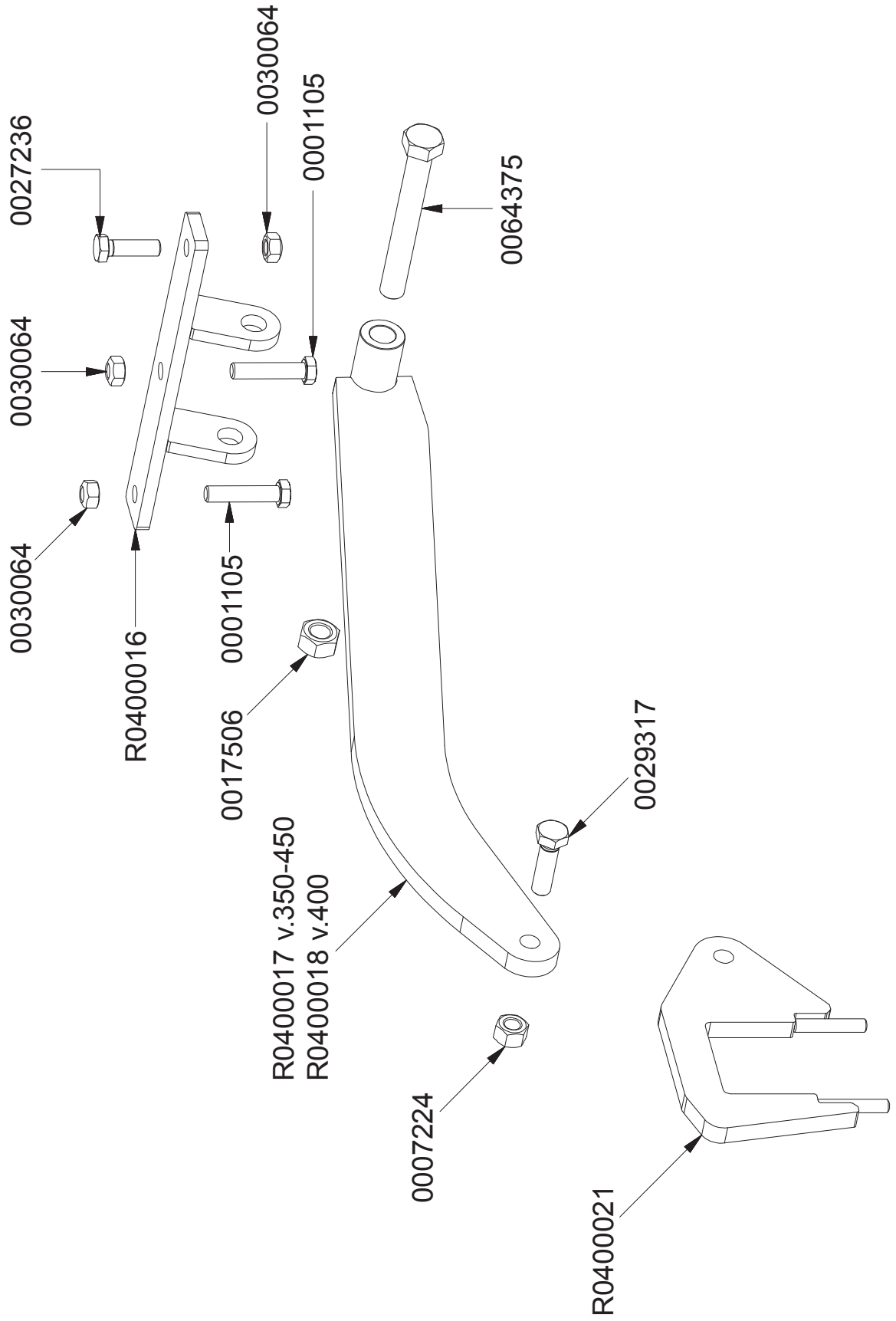
E3200229 DX-RH
E3200230 SX-LH
KIT COMPLETO

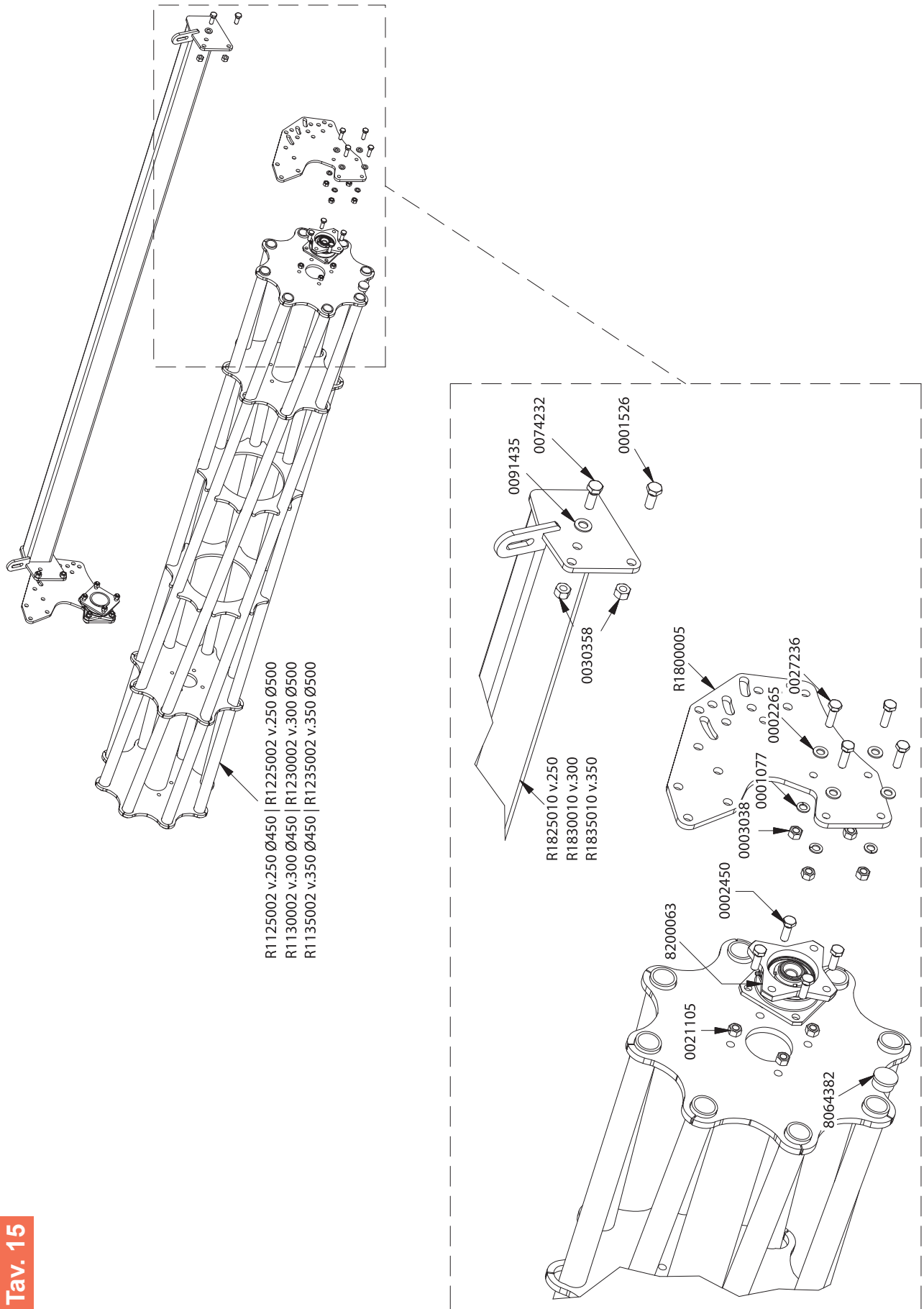




Tav. 12

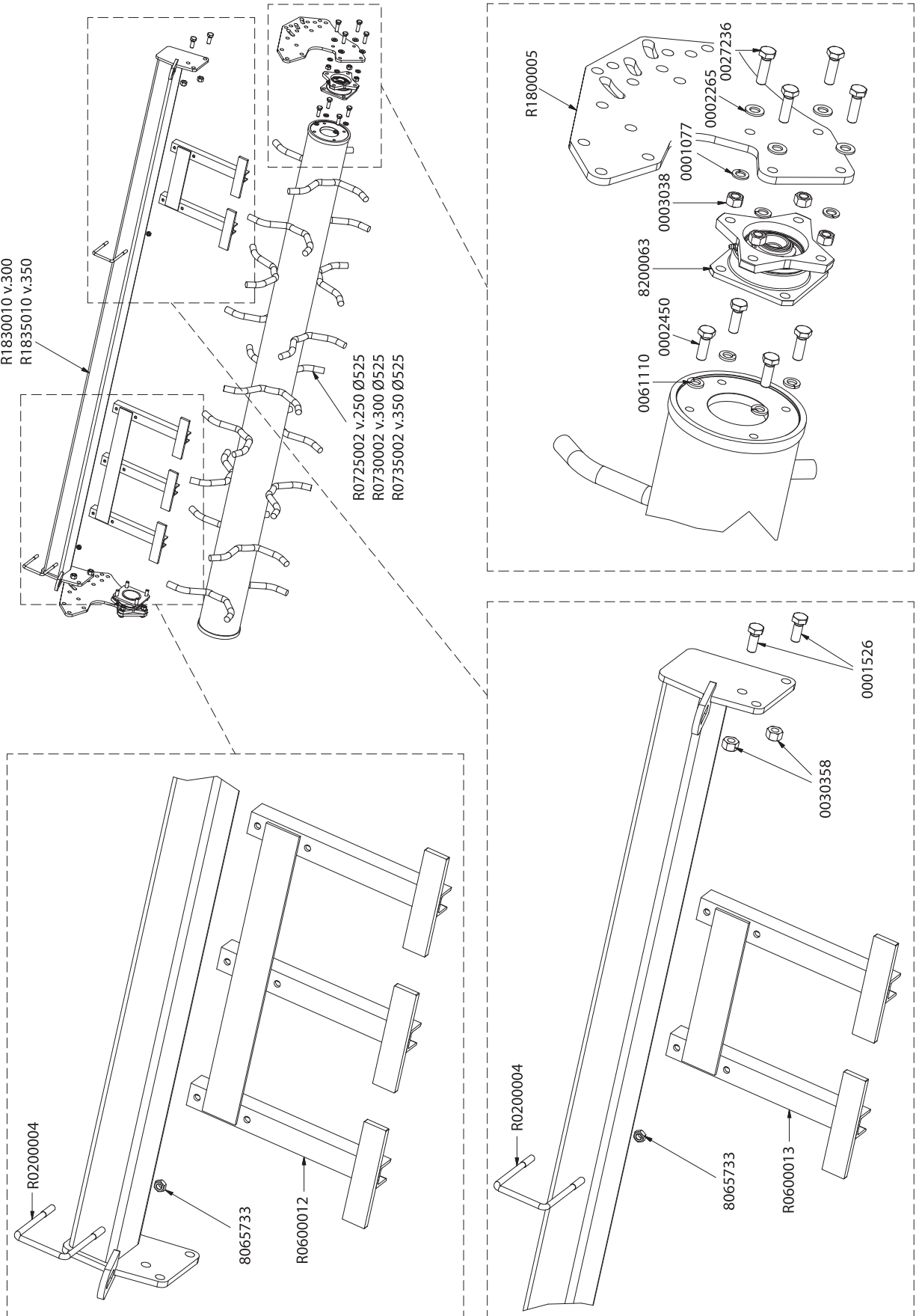






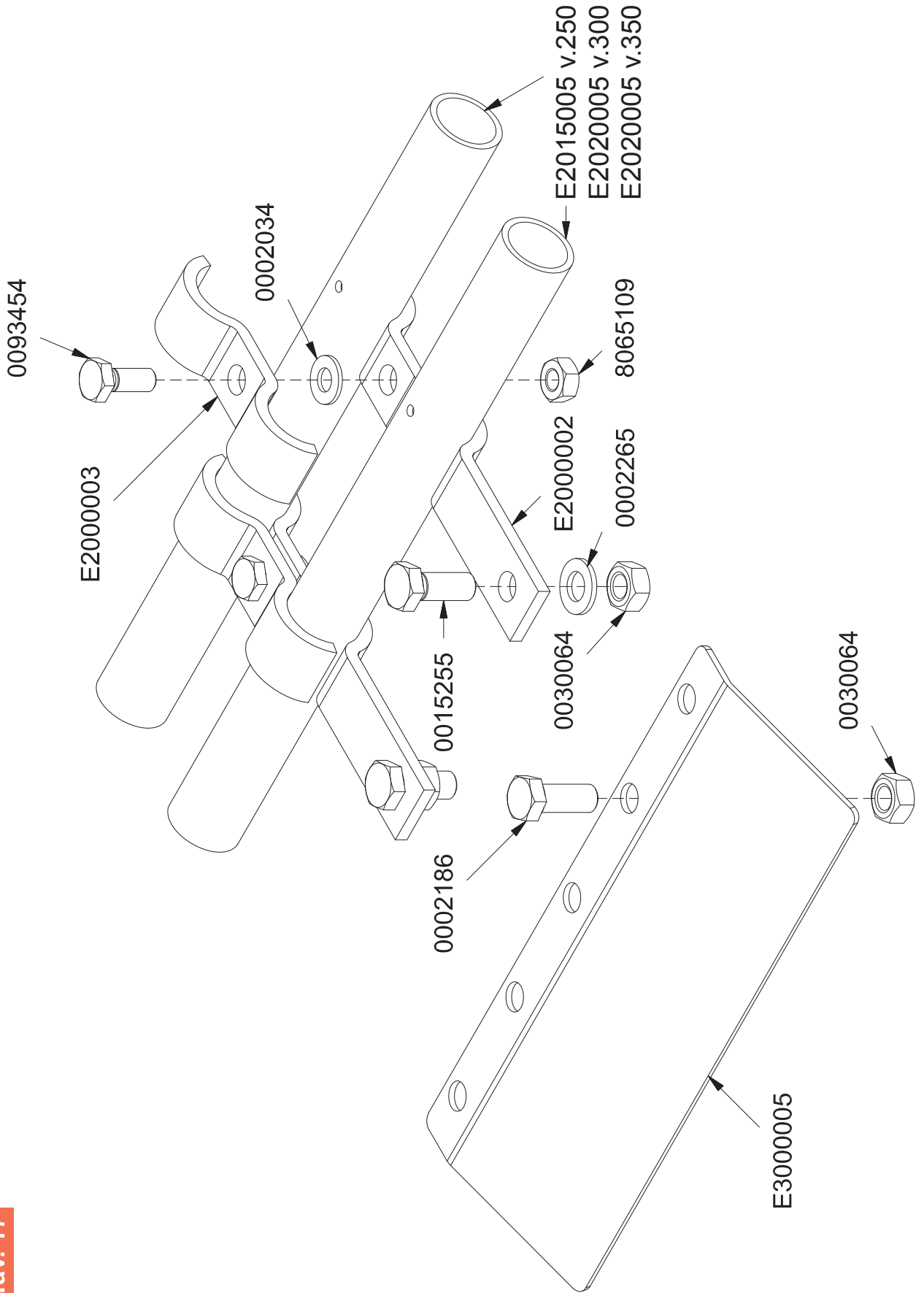


Tav. 16



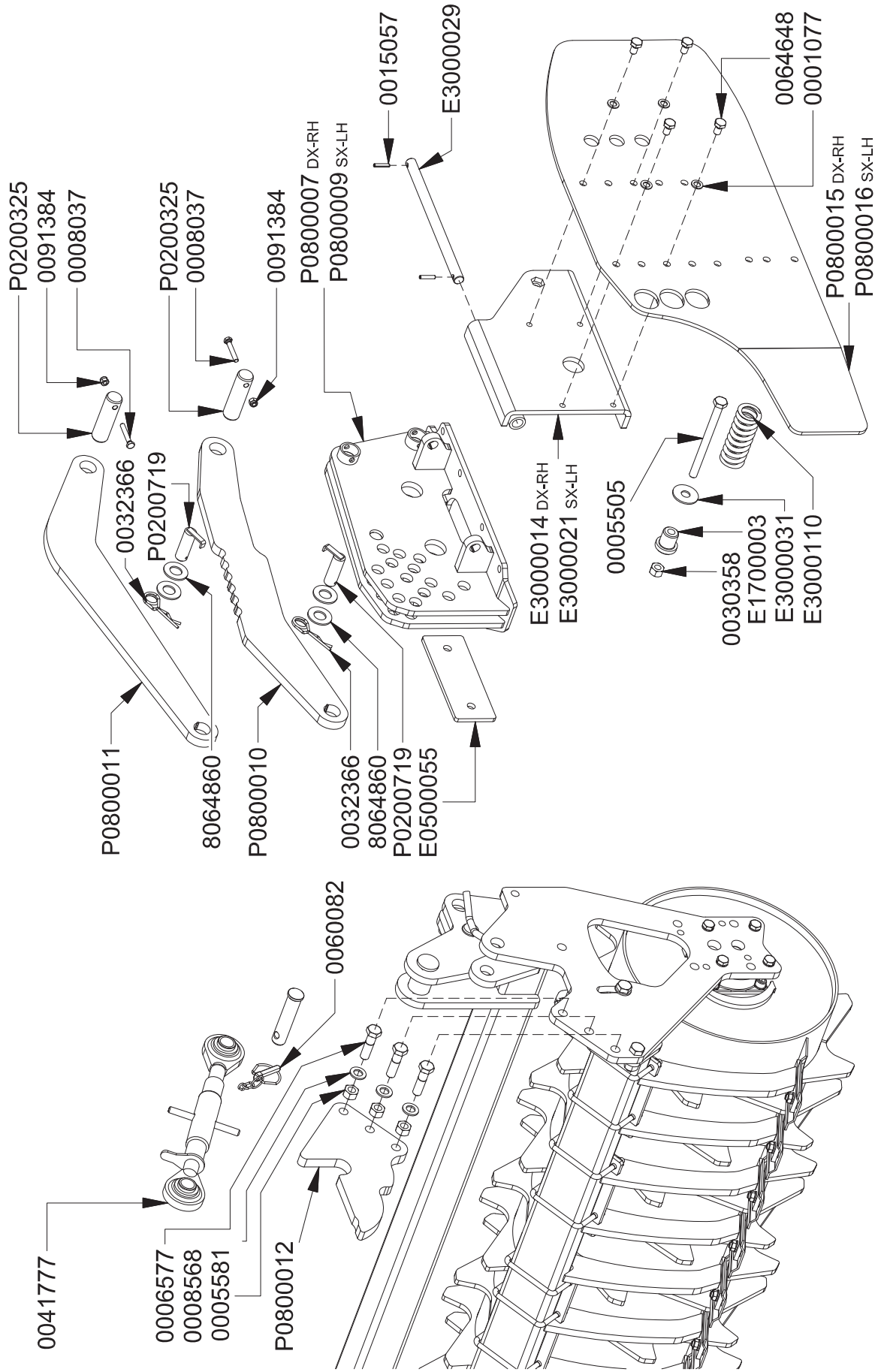


Tav. 17





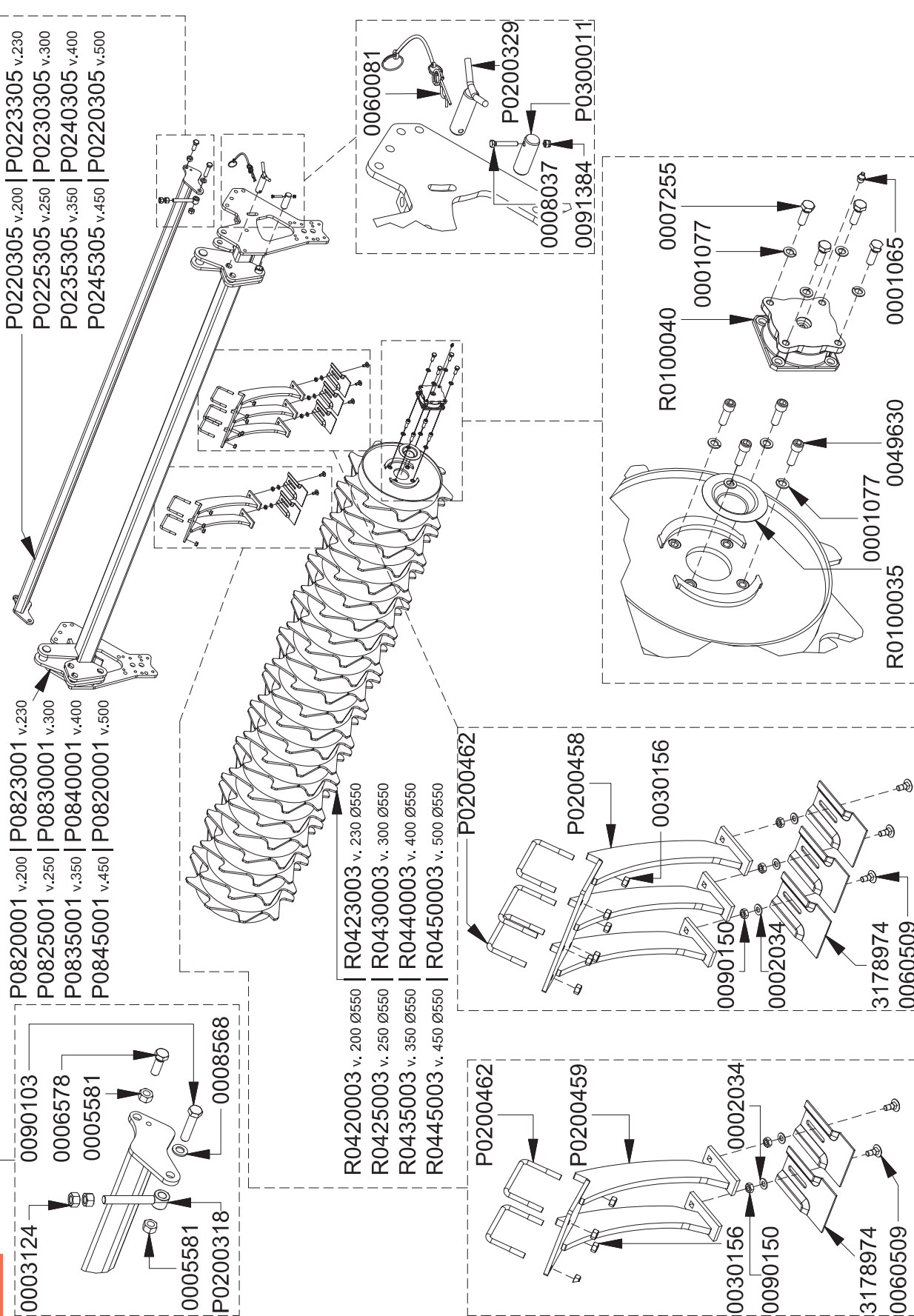
Tav. 18

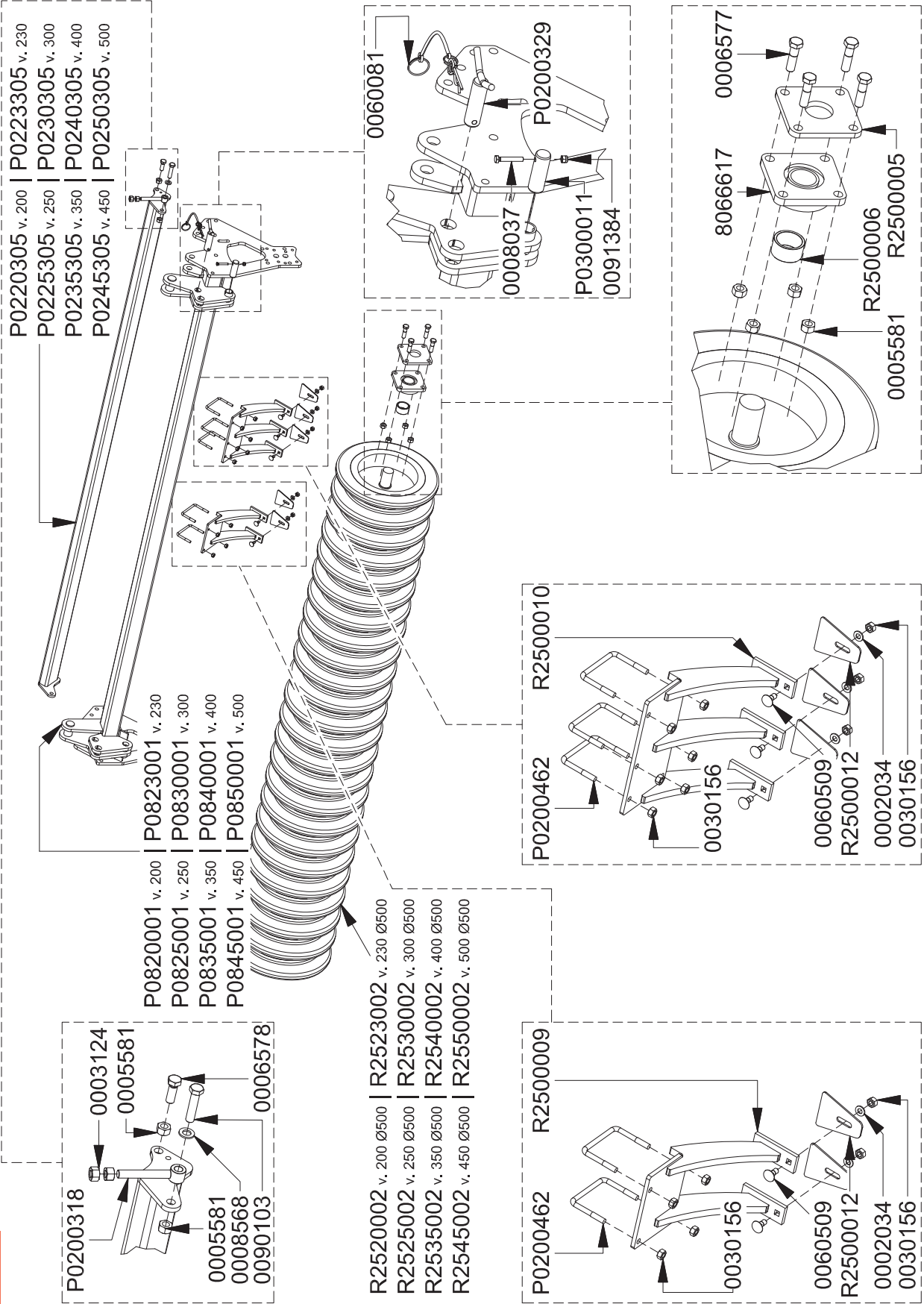


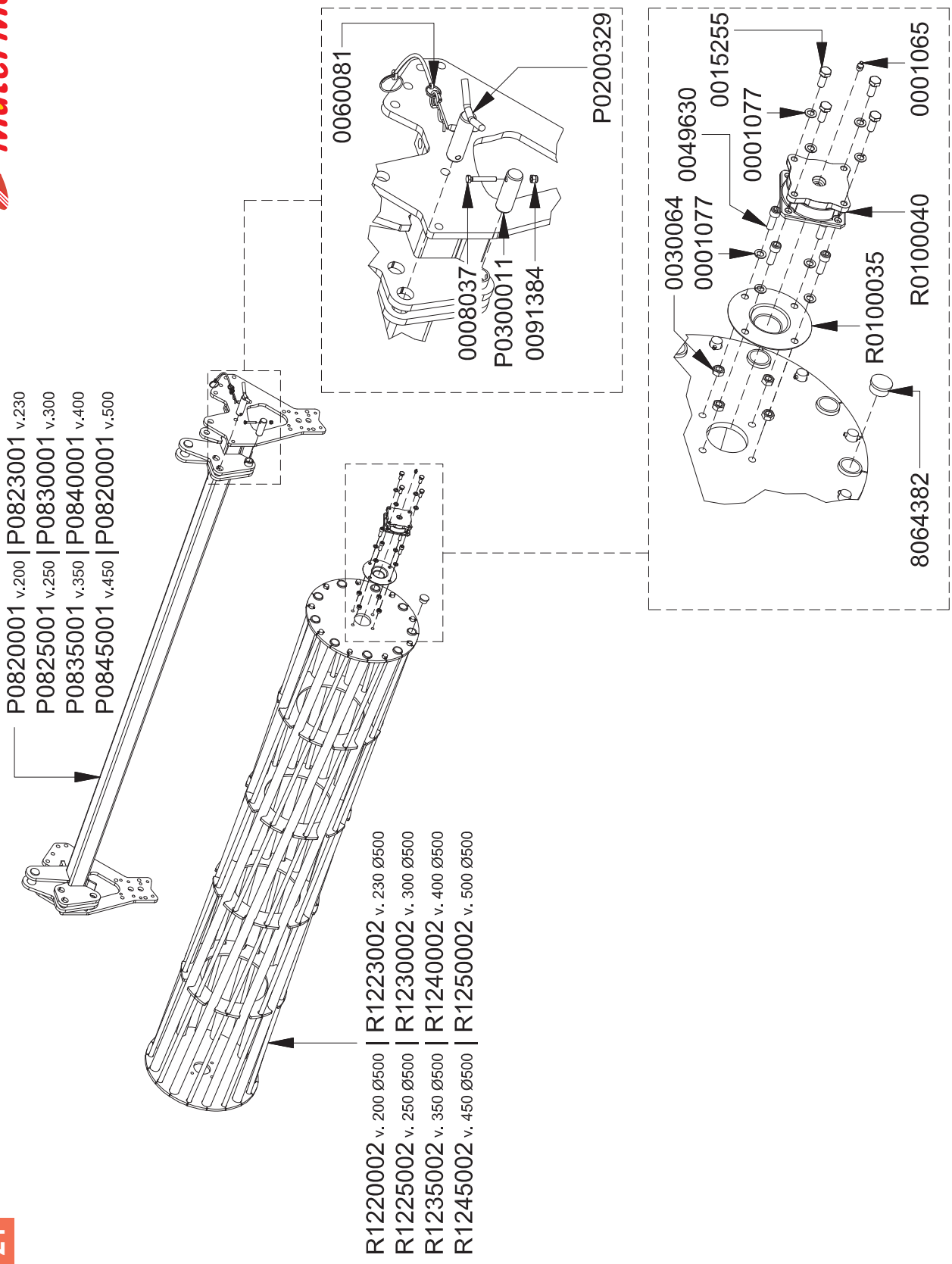


MaterMacc

Tav. 19









Via Labriola, 2 - 37054 NOGARA (Verona) - ITALY
Tel. 0039 0442537411 r.a. - Fax 0039 0442537444
Export: Tel. 0039 0442537402
www.breviglieri.com - export@breviglieri.com