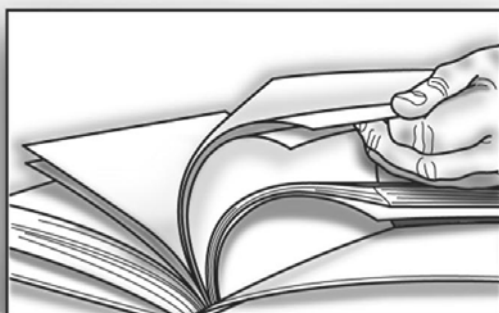


NOBILI COSTRUZIONI
MECCANICHE
PER L'AGRICOLTURA [®]

Shredders

BKE

OPERATOR'S MANUAL



Original instructions

JN012CGB D

Dear Owner

You have purchased a NOBILI machine. Into it have gone years of thought, research and improvement. You will find, as have thousands of owners all over the world, that you have the best that engineering skill and actual field testing can produce. You have purchased a dependable machine, but only through proper care and operation can you expect to receive the performance and long service built into it.

This manual contains all the necessary information for you to receive full efficiency from your machine. The performance you get from this machine is largely dependent on how well you read and understand this manual and apply this knowledge. Please **DO NOT ASSUME YOU KNOW HOW TO OPERATE AND MAINTAIN YOUR MACHINE** before reading this manual carefully. **KEEP THIS MANUAL AVAILABLE FOR REFERENCE.** Pass it on to the next owner if you re-sell the machine.

Your dealer can offer a complete line of genuine NOBILI service parts. These parts are manufactured and carefully inspected in the same factory that builds the machine to assure high quality and accurate fitting of any necessary replacements.

■ About improvements

We are continually striving to improve our products. It therefore reserves the right to make improvements or changes when it becomes practical to do so, without incurring any obligations to make changes or additions to the equipment sold previously.

■ Wear parts

Wearing parts fitted on our machines have been tested in very different situations to optimize their service life. Nevertheless, the service life depends highly on the conditions of use (products to handle, soil, weather conditions, etc...).

■ Designated use of the machine

BKE shredders must only be used for the work for which they have been designed: shredding of grass covered areas, maintenance of green spaces, shredding of vine shoots and other pruning residues.

Contents

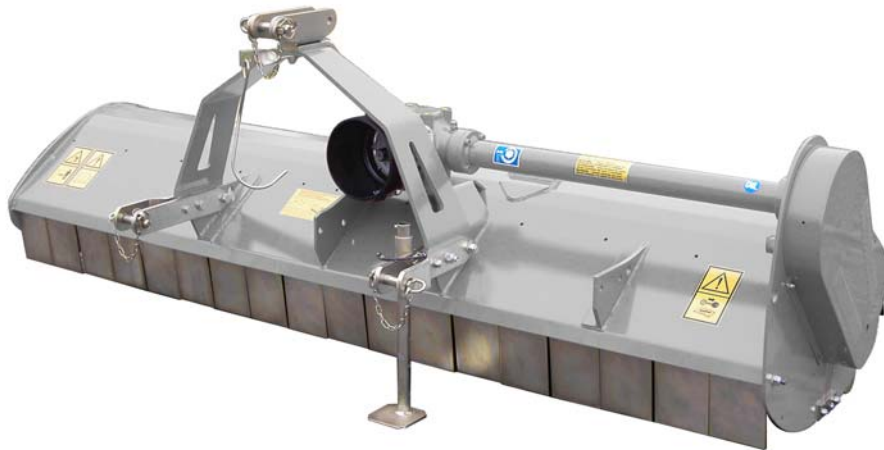
■ Dear Owner	1
■ Contents.....	2
■ Identification of the machine.....	4
2 position rigid linkage	4
Linkage with hydraulic offset	5
Model identification plate	6
Optional equipment.....	6
■ Safety.....	7
Description of symbols used in this document.....	7
Safety instructions	8
Location and description of safety decals on the machine	20
■ Machine specifications	27
Description and glossary.....	27
Technical specifications	28
Required equipment.....	30
Sound levels	31
■ Putting into service	32
Description of coupling elements.....	32
Preparing the tractor	32
Preparing the machine.....	33
Coupling the machine	34
Hydraulic connection.....	34

■ Instructions for transport	40
Putting the machine into transport position.....	40
Conformity with the road regulations	41
■ Instructions for work	42
Putting the machine into work position	42
Adjustments in working position.....	43
Machine use.....	45
■ Optional equipment	47
Wear skids	47
Skids.....	48
Double skinned plate	49
■ Maintenance and storage	50
Frequency chart	50
Cleaning the machine	50
Lubrication.....	51
Maintenance.....	54
Storage	62
Machine recycling	63
■ Troubleshooting guide	64
■ Appendix	65
Calculating the load on an axle.....	65
■ Limited warranty	72

Identification of the machine

1. 2 position rigid linkage

■ Front view

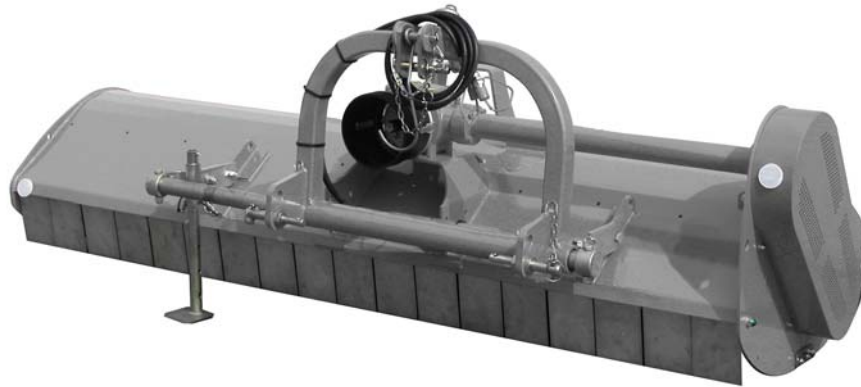


■ Rear view



2. Linkage with hydraulic offset

■ Front view

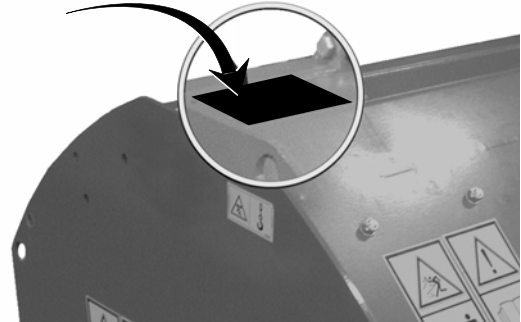


■ Rear view








3. Model identification plate

Please write below the type and serial number of the machine. This information is to be given to your NOBILI dealer for all parts order or warranty claim.



Type: BKE

Serial no.:

 Agip	NOBILI <small>®</small> COSTRUZIONI MECCANICHE PER L'AGRICOLTURA <small>s.p.a. - 40062 MOLINELLA (BO) ITALIA -</small>		
TRINCE BROYEURS TRITURATOR MULCHER	BLASIA 220 (ISO 220) 	SUPERTRACTOR UNIVERSAL 15W/40 	MU / EP2 
Mod. : _____			
Num. : _____			
Data : _____			
Massa Kg : _____			
LUBRIFICANTI CONSIGLIATI <small>LUBRIC. ACONSEJADOS - RECOMMENDED LUBRICANTS EMPFOHLENE OEL/FETTE - LUBRIFIANTS CONSEILLES</small>			

4. Optional equipment

- Wear skids.
- Skids.
- Double skinned plate .

Safety

1. Description of symbols used in this document

This symbol indicates a potentially hazardous situation that if not avoided, could result in serious bodily injury.



This symbol is used to identify special instructions or procedures which, if not followed strictly, could result in machinery damage.



This symbol is used to communicate technical information of particular interest.



2. Safety instructions

■ Introduction

The machine must only be operated, maintained and repaired by competent persons who are familiar with machines' specifications and operation and aware of safety regulations for preventing accidents.

The operator must imperatively respect safety instructions in this manual and in the warnings posted on the machine. The operator is also obliged to respect current legislation concerning accident prevention, work safety and public traffic circulation.

Designated use of the machine also means following operation, maintenance and repair recommendations given by the manufacturer, and using only genuine spare parts, equipment and accessories, as recommended by the manufacturer.

The manufacturer is not held liable for any damage resulting from machine applications other than those specified by the manufacturer. Any use other than the designated operation is at the risk and responsibility of the operator.

The manufacturer is not held liable for any damage or accident resulting from machine modifications carried out by the operator himself or by a third party without previous written agreement from the manufacturer.

■ Read and follow the safety instructions

Before using the machine, carefully read all the safety instructions in this manual and the warnings placed on the machine.

Before starting work, the operator must be familiar with all machine controls, handling devices and their functions. It is too late to learn once work has been started!

Never let anyone operate the machine who is not trained to do so.

Should you have any difficulties in understanding any parts of this manual, please contact your NOBILI dealer.



■ Precautions to be taken before carrying out any operations on the machine

Before leaving the tractor or before adjusting, maintaining or repairing the machine, disengage the PTO drive, turn off the engine, remove ignition key and wait until all moving parts have come to a complete stop and apply park brake.



■ Precautions to take before using the machine

Do not wear loose clothing which could become caught up in moving parts.

Wear the appropriate protective clothing for the work in hand (gloves, shoes, goggles, helmet, ear defenders, etc.).

Ensure that all operating controls (ropes, cables, rods, etc) are placed so as they cannot be operated unintentionally and cause damage or injury.

Before operating the machine, check tightness of nuts and bolts, particularly on fixing elements (tines, forks, blades, knives, etc). Retighten if necessary.

Before operating the machine, ensure that all the safety guards are firmly in place and in good condition. Immediately replace any worn or damaged guard.



■ Precautions when driving

Tractor handling, stability, performance and braking efficiency are all affected by weight distribution, trailed or mounted implements, additional ballast and driving conditions. It is therefore of great importance that the operator exercises caution in every given situation.

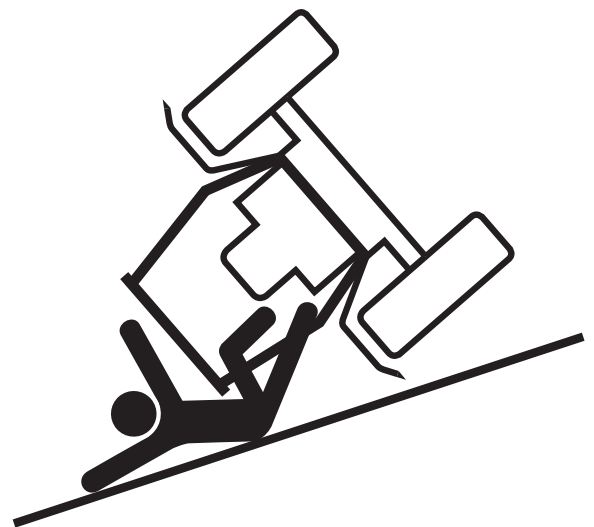
Groundspeed must be adapted to ground conditions as well as to roads and paths. Always avoid abrupt changes of direction.

Be particularly cautious when turning corners, paying attention to machine overhang, length, height and weight.

Never use a narrow track tractor on very uneven or steeply sloping ground.

Never leave the tractor seat while the machine is operating.

Carrying people or animals on the machine when working or in transport is strictly forbidden.



■ Precautions when driving on public roads

Dimensions

Depending on the dimensions of the machine, contact the relevant authorities to ensure that it can be legally transported on public roads.

If the machine is over the maximum legal size, follow the local regulations for special transportation of oversize equipment.

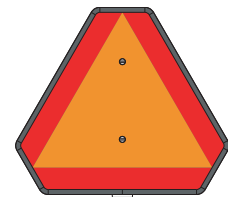
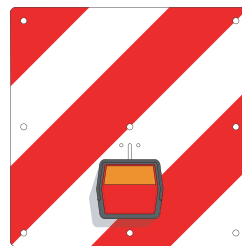
Transport position

Before transporting the machine on public roads, place the machine into its transport position, according to the instructions in this manual.

Lights and indicators

Before transporting the machine on public roads, ensure that all legally required lightings and signalings are in place.

Ensure that lightings and signalings are clean and in good working order. Replace any missing or broken equipment.



Always obey current regulations for driving on roads.

Gross weight and weight per axle



The drawings are not legally binding, their only aim is to illustrate the method to use.

Prior to driving on public roads, check that all criteria are met to be in conformity with the country's regulations:



- When coupling a tool to the front and/or rear 3-point lift linkage, the maximum authorized payload must not be exceeded.
- When coupling tools to the front and/or rear 3-point lift linkages, the maximum load on tractor's tires must not be exceeded.
- The load on the tractor front axle must always represent 20 % of the tractor unladen weight.

For machines with hoppers or tanks:



- If the total unit weight exceeds the tractor Gross Combined Weight Rating in accordance with the country's legislation, empty the hopper to travel on public roads.
- In any case, we recommend to travel on public roads with empty hoppers and tanks.

Description of symbols

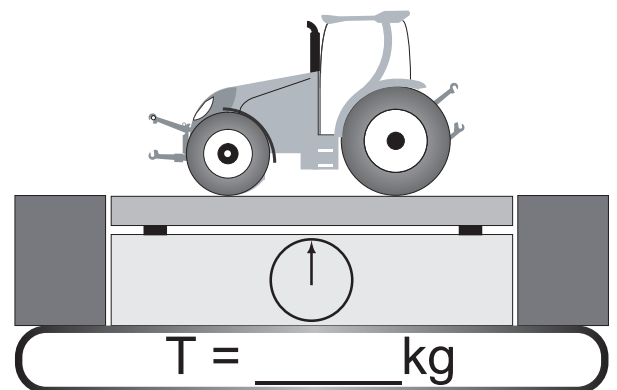
Description	Units	Description
T	kg	Tractor unladen weight
PTAC	kg	Gross Combined Weight Rating
T1	kg	Unladen load on tractor front axle
T2	kg	Empty load on tractor rear axle
t	kg	Axle loads (Tractor + machine)
t1	kg	Load on front axle (Tractor + machine)
t2	kg	Load on rear axle (Tractor + machine)
t1 max	kg	Maximum load authorized on the tractor front axle according to the tires
t2 max	kg	Maximum load authorized on the tractor rear axle according to the tires
M1	kg	Total weight of front tool or front ballast

How to proceed:

Stage 1:

To measure:

- Tractor tare (T).



Stage 2:

- Couple the machine to the tractor.

To measure:

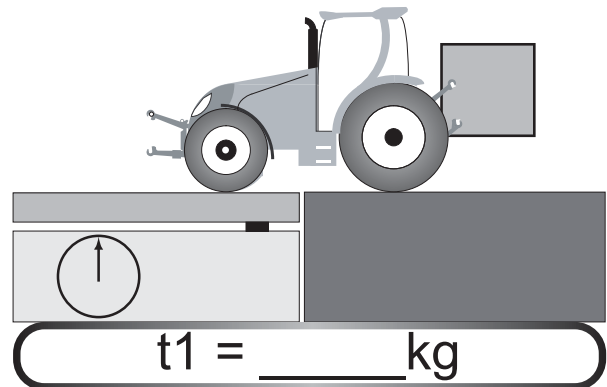
- Load on front axle (t1):
 - Tractor + machine (transport position).

To do:

- If the front axle load (t1) is below 20% of the tractor tare (T), add ballast weights (M1) to exceed the minimum load on the front axle.

Example:

- (T) = 7500 kg (16535 lb)
- The front axle load must be of minimum 1500 kg (3300 lb). (20% of T)
- (t1) = 700 kg (1545 lb).
- 700 kg (1545 lb) < 1500 kg (3300 lb).
- Add ballast weights until the minimum front axle load is exceeded.
- Repeat checking procedure.



$t1 < 20\% T \rightarrow \text{X}$
 $t1 \geq 20\% T \rightarrow \checkmark$

Stage 3:

To measure:

- Total weight (t):
 - Tractor + machine (transport position).
 - Ballast weights.

Checking:

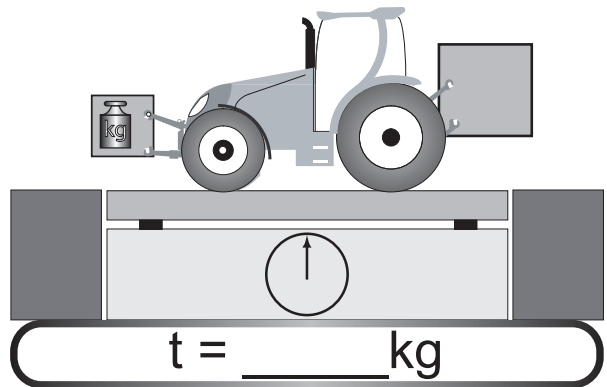
- To go to the next stage:
 - Check in the tractor's operator's manual that the value measured is below the tractor's Gross Combined Weight Rating.

To do:

- If $t < PTAC$ go to the next stage.
- If the total unit weight exceeds the tractor Gross Combined Weight Rating in accordance with the country's legislation, empty the hopper to travel on public roads.

Example:

- (t) = 10000 kg (24250 lb)
- PTAC = 13000 kg .
- $t < PTAC$: Go to the next stage.



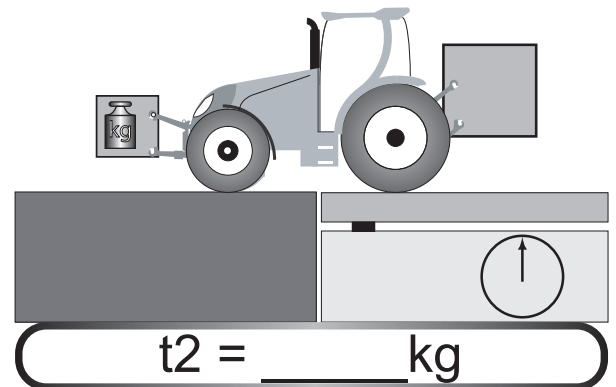
Stage 4:

To measure:

- Load on rear axle (t_2):
 - Tractor + machine (transport position).
 - Ballast weights.

Checking:

- Check in the tractor's operator's manual that the value measured is below the maximum allowed tractor rear axle load.
- Check that tyre and rim specifications are in conformity with the requirements of the tractor manufacturer.



Example:

- Load on rear axle (t_2) = 8500 kg (18740 lb)
- Check in the tractor's operator's manual that the value measured is below the maximum allowed tractor rear axle load.
- Check that tyre and rim specifications are in conformity with the requirements of the tractor manufacturer.

$$t_2 > t_2 \text{ max} \longrightarrow \text{X}$$

$$t_2 \leq t_2 \text{ max} \longrightarrow \checkmark$$

■ **Maximum speed**

Always keep to the legal speed limit for driving a tractor-machine assembly on public roads.

■ Precautions when coupling

Before attaching the machine, make sure that it cannot accidentally start moving (chock the wheels) and that the parking stand is in the right position.

The machine must only be attached to the hitch points provided for this purpose.

Never stand between the tractor and the machine when operating the three point linkage.

Do not stand between the tractor and the machine without ensuring that the parking brake is applied.



■ Hydraulic circuit

Caution! The hydraulic circuit is under high pressure. Maximum pressure at work: 200 bar.

Before connecting hoses to the tractor hydraulics, ensure that tractor and machine circuits are not under pressure. Before disconnecting a hose, depressurize the hydraulic circuit.

To avoid making incorrect connections, mark hydraulic couplers and corresponding hoses with colors. **WARNING!** Functions could be reversed (for example: lift/lower) and cause accidents.

Regularly check the hydraulic hoses. In case of normal wear, replace the hydraulic hoses every 5 years. Damaged or worn hoses must immediately be replaced. When replacing the hydraulic hoses, only use hoses with the specification recommended by the manufacturer of the machine.

To locate a leak, use appropriate means. Protect body and hands from liquid under pressure.

Any liquid under pressure (particularly oil from hydraulics) can penetrate the skin and cause severe injury. If injured, see a doctor immediately, there could be danger of infection.

Before any adjustments, maintenance or repairs are carried out, lower the machine to the ground, depressurize the hydraulics, turn off the engine, remove ignition key and wait until all moving parts have come to a complete stop.



■ PTO shaft

Use only PTO shafts supplied with the machine or recommended by the machine manufacturer.

The protective shield of the tractor PTO stub, the PTO shaft guards and the protective shield of the machine input shaft must always be in place and in good condition.

Make sure that the PTO shaft guards are secured with the safety chains provided. Check that the PTO shaft guard can turn freely a full rotation independent of the shaft.

Any worn or damaged guards must be replaced immediately. A worn guard or an unprotected PTO shaft can cause a serious or even a lethal accident.

Do not wear loose clothing that could be caught in the rotating PTO shaft.

Before attaching or removing a PTO shaft, or before doing any work on the machine, disengage the PTO drive, turn off the engine, remove ignition key and wait for all moving parts have come to a complete stop.

If the primary PTO shaft is equipped with a torque limiter or a free wheel, these must be fitted on the machine side.

Ensure that the PTO shaft is always correctly fitted and locked into place.

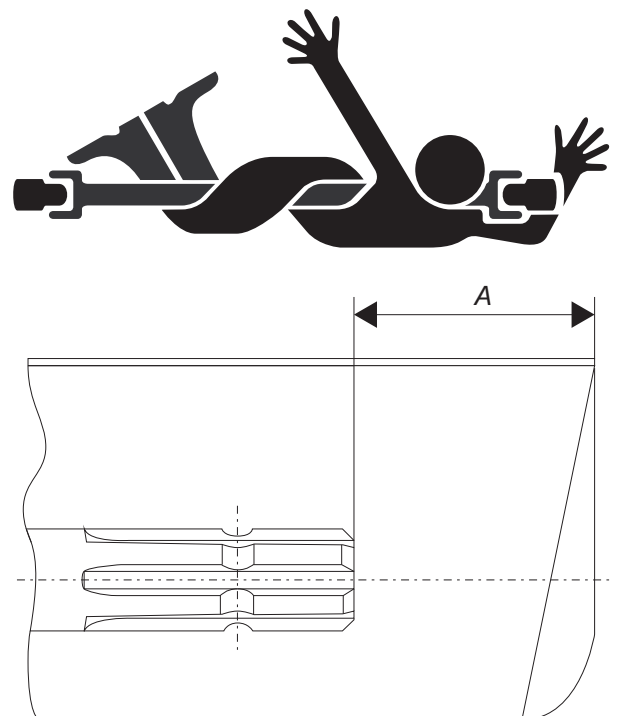
Before connecting the PTO shaft, ensure that the PTO speed (rotational frequency) and direction of rotation are in line with the machine manufacturer's recommendations.

Before engaging the PTO drive, make sure all people and animals are clear from the machine. Never engage the PTO drive when the tractor engine is stopped.

Do not install any adapter device that results in a portion of the tractor PTO stub, the rotating PTO shaft, or the adapter to be unguarded. The tractor master shield shall overlap the end of the splined shaft and the added adaptor device as outlined in the table.

When uncoupling the machine, rest the PTO shaft on the support specially provided, and replace protective shield on the PTO stub of the tractor.

Read and follow the instructions in the operator's manual provided with the PTO shaft.



PTO type	Diameter	X splines	A ±5 mm (0.20")
1	35 mm (1.378")	6	85 mm (3.35")
2	35 mm (1.378")	21	85 mm (3.35")
3	45 mm (1.772")	20	100 mm (4.00")

■ Precautions during manoeuvres

When moving the machine from the transport position to the working position and vice versa, make sure that nobody is within the machine pivoting area.

■ Remote controlled components

Danger of crushing and shearing can exist when components are operated by hydraulic or pneumatic controls. Keep away from these danger zones.

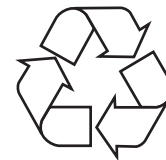
■ Safety decals

Safety warning decals are placed in pictorial form on various parts of the machine. They are there to warn you of potential dangers and to tell you how to avoid accidents.

Always keep the safety decals clean and readable, and replace them when they are worn, damaged, missing or illegible.

■ Waste disposal

Respect the environment! Never spill pollutants (oil, grease, filters, etc.) on the ground, never pour them down the drain and never discard them in any other place where they could pollute the environment. Never throw away or burn a tyre. Always take waste to specialized recycling or waste disposal centers.



■ Precautions for maintenance and repair work

Before leaving the tractor or before adjusting, maintaining or repairing the machine, disengage the PTO drive, turn off the engine, remove ignition key and wait until all moving parts have come to a complete stop and apply park brake.

Rest the machine on the ground, release the pressure from the hydraulic circuit and leave the machine to cool down.

Make sure that the parts of the machine that need to be lifted for maintenance or repair work are firmly propped up.

Before any work is done on the electric circuit or before any electric welding is carried out on the attached machine, disconnect the machine from the tractor electrical circuit. Also disconnect alternator and battery terminals.

Repairs on elements under pressure or tension (springs, pressure accumulators, etc.) must only be carried out by competent persons with regulation equipment.

Wear the appropriate protective clothing for the work in hand (gloves, shoes, goggles, helmet, ear defenders, etc.).

Do not solder, weld or use a blow torch near fluids under pressure or inflammable products.

For your own safety and for correct machine operation, only use original manufacturer parts.

It is strongly recommended to have your machine checked by your NOBILI dealer after each season, especially tools and their attaching hardware.



■ Projection of stones and foreign objects

For driver safety, always use a tractor equipped with a cab. Keep the ground to be shredded free from foreign objects. Avoid using the shredder on stony or rocky ground. If this is not possible, take extra safety precautions, such as:

- Fit polycarbonate screens inside the tractor cab's side and rear windows, or install narrow mesh guards on their exterior.
- Increase the cutting height to avoid contact with stones or rocks.

Never start the shredder when there are people nearby.

Even when the machine is used in accordance with its purpose, objects may be projected. Stones and other foreign objects projected by the moving parts can travel a considerable distance. Keep all persons and animals away from the danger zone.

The guard plates/covers on the machine help reduce the risks of projection. Therefore, make sure that all shredder protection devices are in place and good condition prior to using the machine.

Regularly check the condition of the guard plates/covers. Immediately replace any worn, damaged or missing guard plate/cover.



■ Precautions for machine use

After each use, check the seeding tools (shares, coulters) and their attachment hardware in accordance with the instructions given in the present manual. Immediately replace any worn, damaged or missing guard plate/cover. Before engaging the pto drive, lower the shredder onto the ground. For your safety, only use genuine parts !

Regularly check the condition of the guard plates/covers. Immediately replace any worn, damaged or missing cover. Before engaging the PTO drive, lower the machine on the ground. Make sure all the guards are in place. Keep all persons and animals away from the danger zone.

Stay a safe distance from the machine when the cutting tools are in movement.

Never work in reverse.

After disengaging the PTO drive, cuttings tools can continue rotating for some time. Stay away from the machine until all moving parts have come to a complete standstill.

If the machine hits an obstacle, disengage the PTO drive, stop the tractor engine, remove the ignition key and wait for all moving parts to come to a complete standstill. Check the entire machine for any damage before resuming work.

■ Precautions to take to prevent rotor from clogging

Foreign bodies in the field (wire,...) can cause clogging.

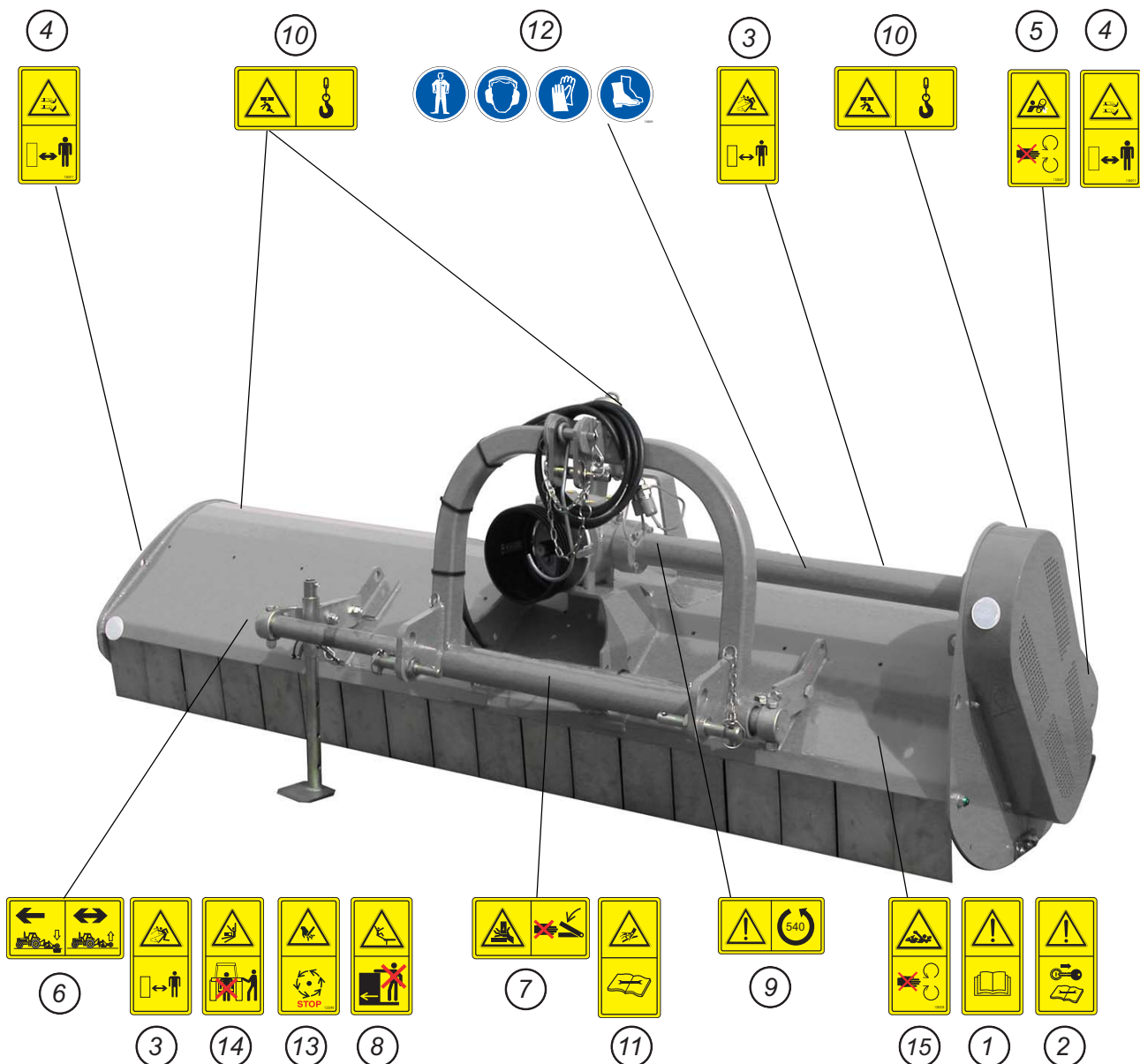
Avoid shredding close to roads, dumps or inert material dumps.

To eliminate cloggings, take the following safety measures:

- Switch off the engine.
- Lift the machine using the tractor's lift linkage.
- Put on gloves and protective glasses.
- Wait until all rotating parts have come to a complete stop.
- Checked concerned parts for overheating.
- Prop up frame using trestles.
- Remove foreign body with adequate equipment (lever and pliers).

3. Location and description of safety decals on the machine

■ Location of safety decals



■ Description of safety decals

Operating instructions (1)

The operators' manual contains all the information necessary for using the machine safely. It is imperative to read and comply with all instructions.



Working on the machine (2)

Before leaving the tractor or before adjusting, maintaining or repairing the machine, disengage the PTO drive, turn off the engine, remove ignition key and wait until all moving parts have come to a complete stop and apply park brake.



Projections (3)

Stones and other debris projected by the moving parts can travel a long distance. The guard plates/covers must always be in position and in good condition. Always stay at a safe distance from the machine.



Rotating cutting tools (4)

Keep away from the machine tools all the time the engine is running, the PTO drive engaged and the moving parts have not come to a complete stop.



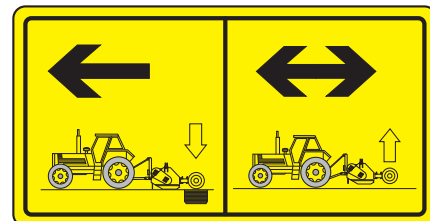
Moving elements (5)

Do not open or remove guards when the engine is running.



Support wheels (6)

At work, the support wheels must rest on the ground. During manoeuvres, raise the machine to lift the wheels off the ground.



Crushing area (7)

Never operate in an area where there is a crushing risk before all moving parts have come to a complete stop .



Danger of falling (8)

Do not ride on the machine.



Power requirement (9)

Machine preset for a 540 min⁻¹ drive.



Anchoring point 10

Indicates anchoring points for handling the machine.



Hazard: high-pressure fluids (11)

Oil jets under pressure.



Use of guards (12)

Wear the appropriate protective clothing for the work in hand (gloves, shoes, goggles, helmet, ear defenders, etc.).



Risk of injuries (13)

Before adjusting, maintaining or repairing the machine, wait until all moving parts have come to a complete stop.



Risk of being crushed (14)

Do not stay between the machine and the tractor.



Risk of entanglement (15)

Stay clear of rotating drive line.



4. Road safety equipment and recommendations

The road safety equipment is mounted in the factory or by your NOBILI dealer according to current safety regulations. Always keep to the legal speed limit for driving a tractor-machine assembly on public roads.

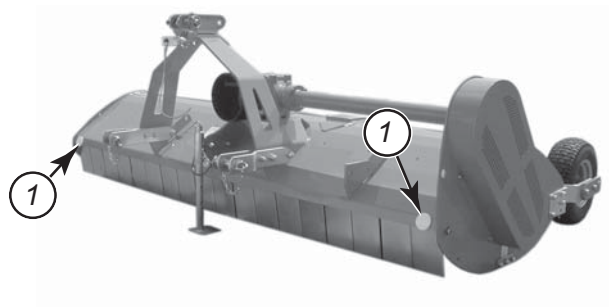
The rear safety device comprises:

- 2 red reflectors (1).



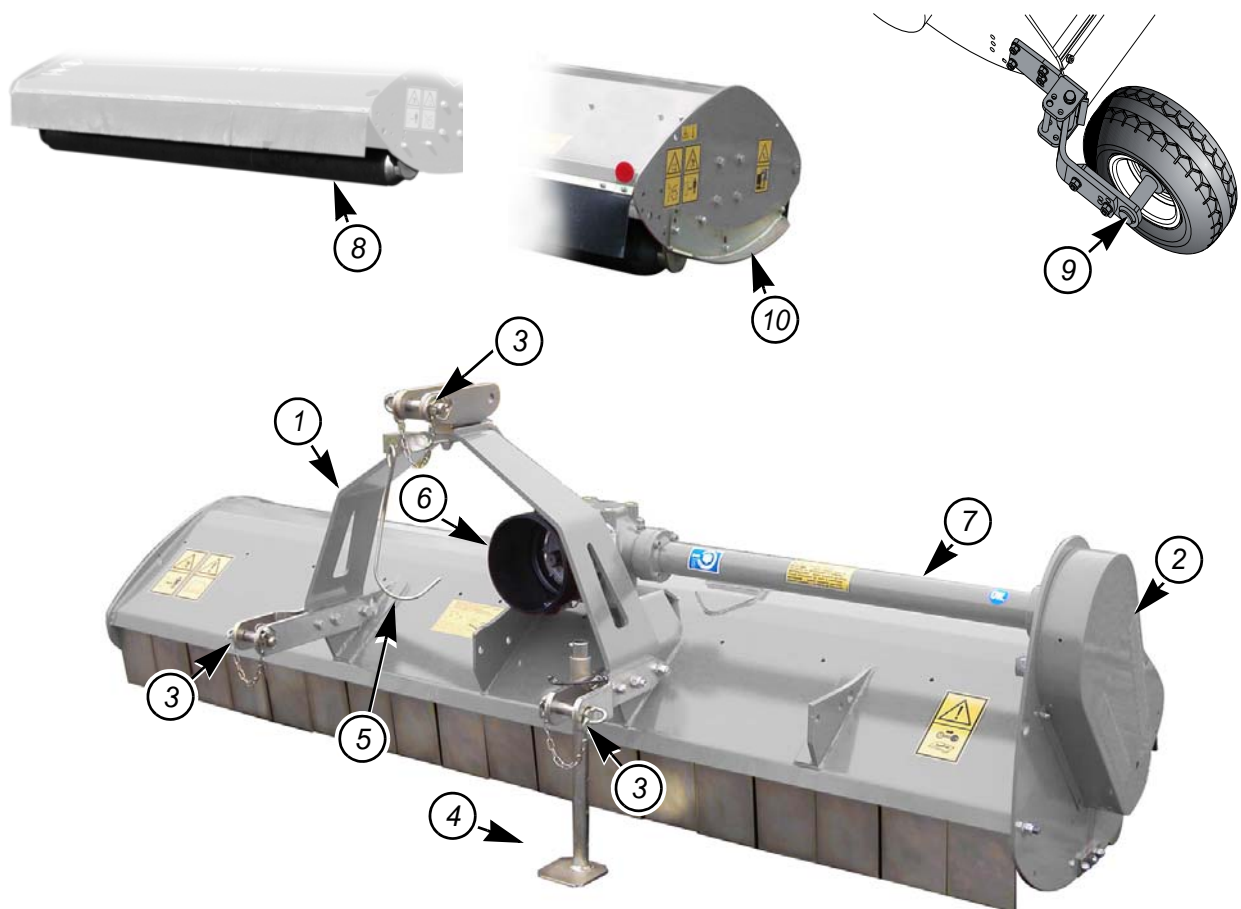
The front safety device comprises:

- 2 white reflectors (1).



Machine specifications

1. Description and glossary



- | | |
|---|---------------------------------|
| 1 : Three-point hitch coupler | 2 : Side guard |
| 3 : Hitch pins | 4 : Parking stand |
| 5 : PTO shaft support | 6 : Central gearbox |
| 7 : Side drive shaft | 8 : Roller (Optional equipment) |
| 9 : Semi-pivoting wheels (Optional equipment) | 10 : Skids (Optional equipment) |

2. Technical specifications

■ Standard version

BKE		150	180	210	230	250	
Coupling device		3 point linkage category 1 and 2					
Lateral offset		350 mm (1'1.8")	450 mm (1'5.7")	455 mm (1'5.9")	455 mm (1'5.9")	455 mm (1'5.9")	
Working width		1.53 m (5')	1.79 m (5'10")	2.14 m (7')	2.29 m (7'6")	2.50 m (8'2")	
Maximum width		1.72 m (5'8")	1.98 m (6'6")	2.36 m (7'9")	2.51 m (8'3")	2.71 m (8'11")	
Required tractor power		26 kW (35 hp)	33 kW (45 hp)	36 kW (49 hp)	38 kW (52 hp)	40 kW (54 hp)	
Allowable tractor power		35 kW (48 hp)	44 kW (60 hp)	44 kW (60 hp)	44 kW (60 hp)	44 kW (60 hp)	
Free wheel		Inside central gearbox					
Power takeoff rotation frequency		540 min ⁻¹					
Quantity / type of belts		3 / SPBX 1590	3 / SPBX 1590	4 / SPBX 1600	4 / SPBX 1600	4 / SPBX 1600	
Rotor speed		2203 min ⁻¹					
Knives peripheral speed		49 m/s	49 m/s	52 m/s	52 m/s	52 m/s	
Cutting diameter		425 mm (1'4.7")	425 mm (1'4.7")	450 mm (1'5.7")	450 mm (1'5.7")	450 mm (1'5.7")	
Number of knives	Type 01	Universal knives	36	40	48	52	56
	Type 04	Pallets for grass	18	20	24	26	28
	Type 06/K	Hammer knives	18	20	24	26	28
	Type 08	Pivoting universal knives	36	40	48	52	56
	Type 09L	Articulated hammer knives	18	20	24	26	28
Distance lower tractor links to gravity point (d)		670 mm (2'2.4")	670 mm (2'2.4")	720 mm (2'4.3")	720 mm (2'4.3")	720 mm (2'4.3")	

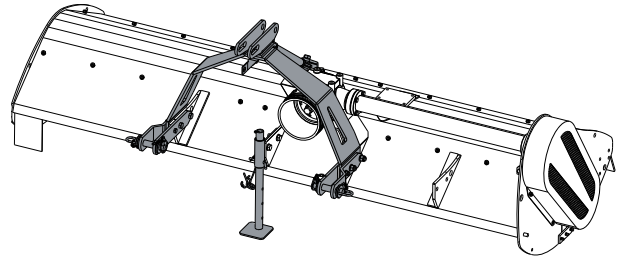
BKE	150	180	210	230	250
Weight including equipment	470 kg (1036 lb)	580 kg (1279 lb)	660 kg (1455 lb)	690 kg (1521 lb)	710 kg (1565 lb)

3. Required equipment

■ Coupling the machine

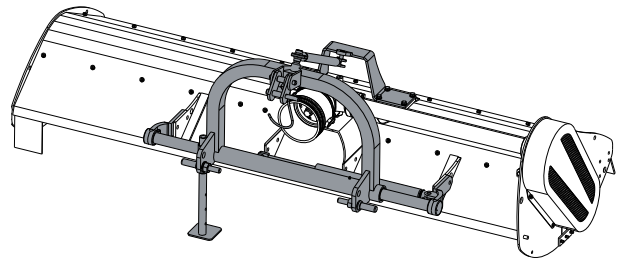
2 possibilities:

Fixed headstock.



or

Headstock with hydraulic offset.



■ Rear support unit

Roller

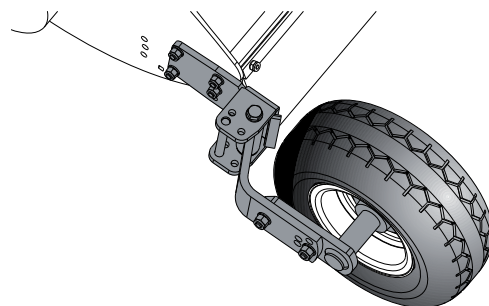
The roller can be used for work on grass covered areas, set-aside land or pasture land.



or

Semi-pivoting wheels

The semi-pivoting wheels are recommended for work in wet conditions.



4. Sound levels

Sound levels have been measured in accordance with the measuring methods as defined in:

EN ISO4254-1: 2009

«Agricultural machines - Self-propelled, mounted, semi-mounted and trailed - Common safety recommendations»

Weighted equivalent continuous acoustic pressure level at the driver's seat (closed cabin) **L(A)_{eq}** according to standard **UNI EN ISO 11201**

- *BKE150*: **83.5 dB(A)**
- *BKE180*: **85.0 dB(A)**
- *BKE210*: **85.0 dB(A)**
- *BKE230*: **86.0 dB(A)**
- *BKE250*: **86.5 dB(A)**

Measured weighed volume level **L_w(A)** according to standard **UNI EN ISO 3744: 1997** for machines that exceed a pressure of 80dB(A) in the driver's post:

- *BKE150*: **104.0 dB(A)**
- *BKE180*: **105.0 dB(A)**
- *BKE210*: **110.0 dB(A)**
- *BKE230*: **108.5 dB(A)**
- *BKE250*: **105.0 dB(A)**



Wear ear protectors!



Putting into service

1. Description of coupling elements

- A PTO shaft 1 3/8" - 6 splines (1).
- Attachment configuration category 1°-2° (BKE120,BKE150).
- Attachment configuration category 2° (BKE180,BKE210,BKE230,BKE250).

2. Preparing the tractor

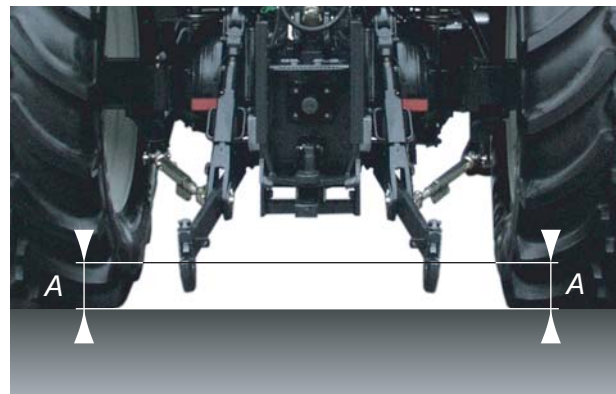


The tractor must be fitted with lower link stabilizers.

The tractor PTO stub must rotate at a speed of 540 min^{-1} .

■ Hitch pin parallelism

Adjust tractor lift rods so that hitch pins are parallel to the ground.



3. Preparing the machine

Check the speed preset by the manufacturer through the stickers on the machine.

■ Rigid attachment

The attachment is factory fitted in central position.



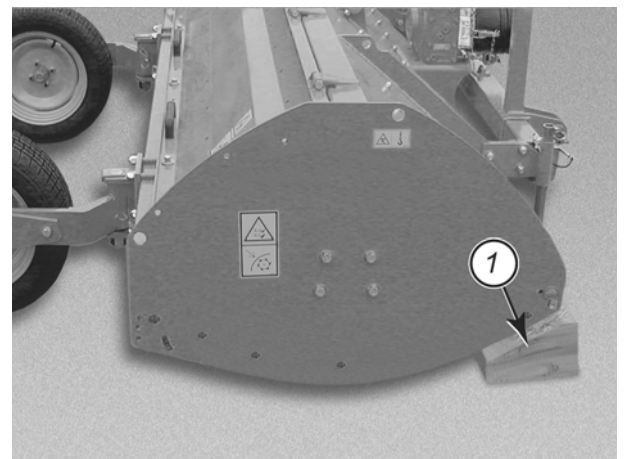
When lifting this equipment, use appropriate lift straps, chains or any other equipment, in perfect working order, complying with safety standards in force for this type of equipment, and with capacities that exceed the total weight of the unit, as listed in this manual: 70 kg (155 lb) (approximately).

Lateral shifting

In parking position:

Attach a sling to the headstock.

Block machine with wooden chocks (1).



Raise the lifting device to tension the sling.

Remove parking stand:

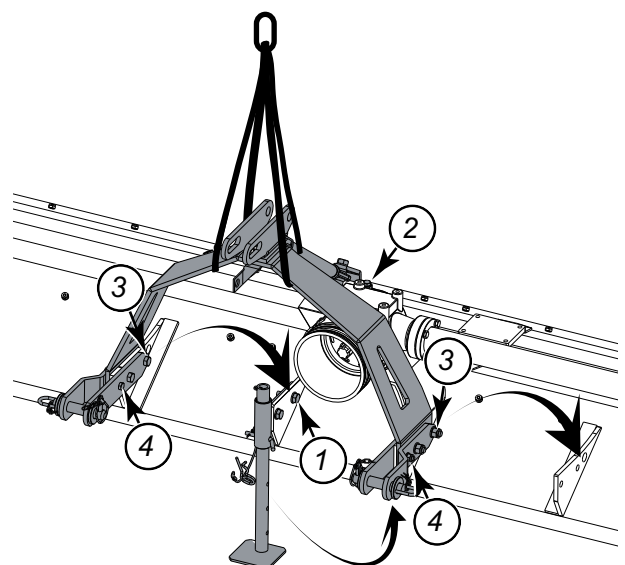
- Remove screws and nuts ((1)).

Remove headstock:

- Remove screws and nuts ((2) (3) (4)).

Reinstall headstock on offset attachments:

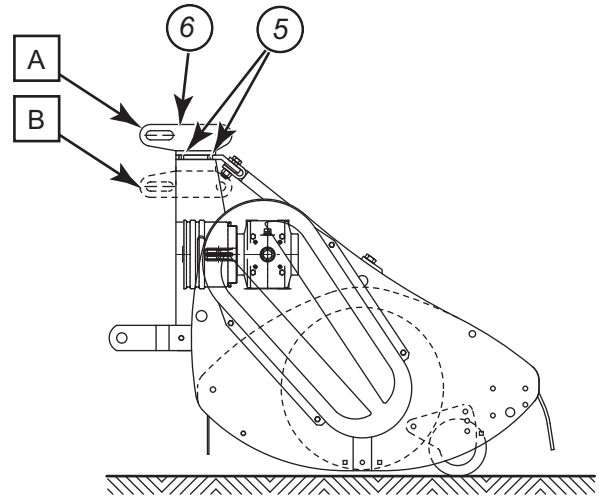
- Insert screws and nuts ((1)).
- Tighten nuts
 - Torque: 21 daN m (155 lbf ft).
- Reinstall bolts (2).
- Tighten screws (2)
 - Torque: 9 daN m (66 lbf ft).
- Insert screws and nuts ((3) (4)).
- Tighten nuts
 - Torque: 21 daN m (155 lbf ft).
- Remove sling.



Coupling to a small tractor

For easier coupling to small size tractors:

- Remove screws and nuts (5).
- Remove the top link coupling bracket (6).
- Reinstall coupling bracket in position (B).
- Insert screws and nuts (5)
- Torque: 9 daN m (66 lbf ft).



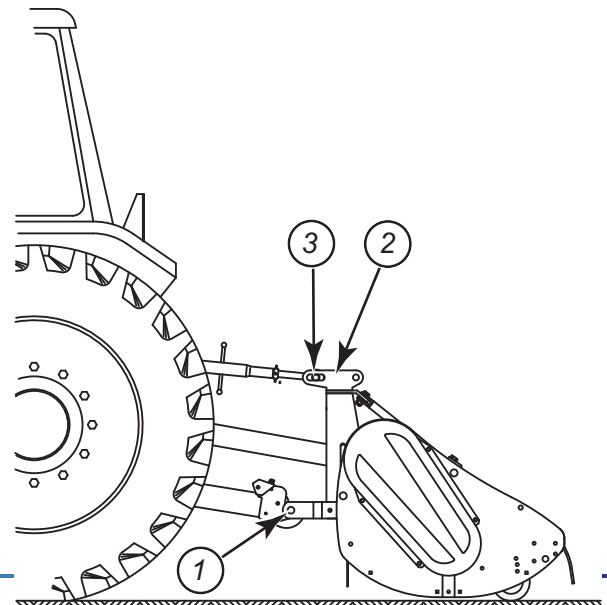
4. Coupling the machine



The input machine rotation direction must correspond to the tractor PTO rotation direction.

Check that tractor PTO rotates clockwise.

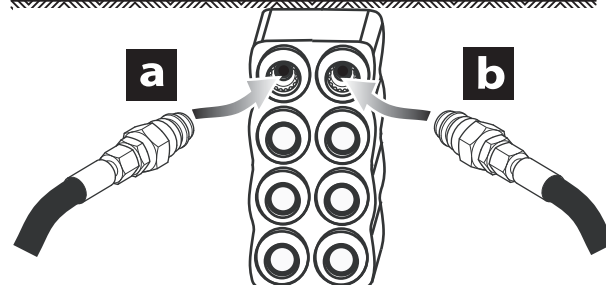
- Lower the tractor three-point linkage.
- Place the lower links as close as possible under the hitch pins.
- Attach the lower links to the hitch pins (1).
- Secure with lynch pins.
- Attach top link (2).
- Lock the upper hitch attachment using lynch pin (3).
- Lift the machine using the tractor's lift linkage.



5. Hydraulic connection

Hydraulic rear 3-point linkage

Connect hydraulic hoses (a) and (b) to the same hydraulic double acting outlet.



■ PTO shaft

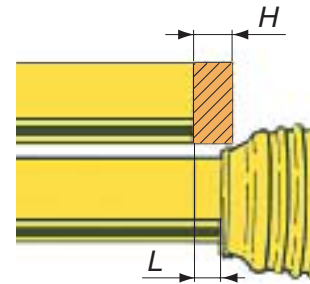


Make sure that the PTO shaft is correctly adjusted, to avoid premature wear and tear.



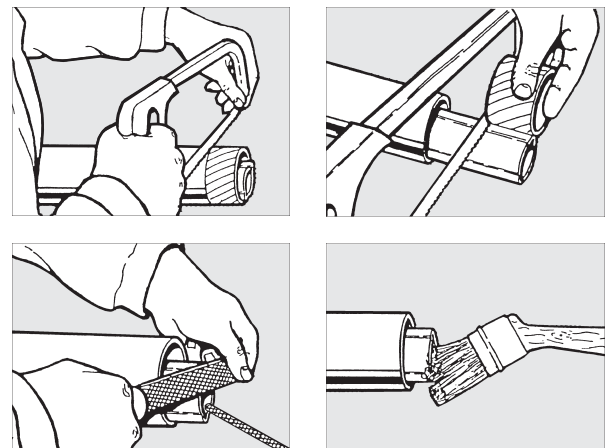
The tractor nominal PTO speed must be 540 min^{-1} .

- Separate the two half PTO shafts and connect them to the machine's input shaft and to the tractor PTO stub.
- Check the length of the PTO shaft:
 - When the PTO shaft is in its maximum overlap position (retracted), tubes should not butt against the yokes. As a safety measure, a clearance (L) of at least 25 mm / 1" must be maintained.
 - When the PTO shaft is in its maximum extended position, the tube overlap must be more than 250 mm / 10".

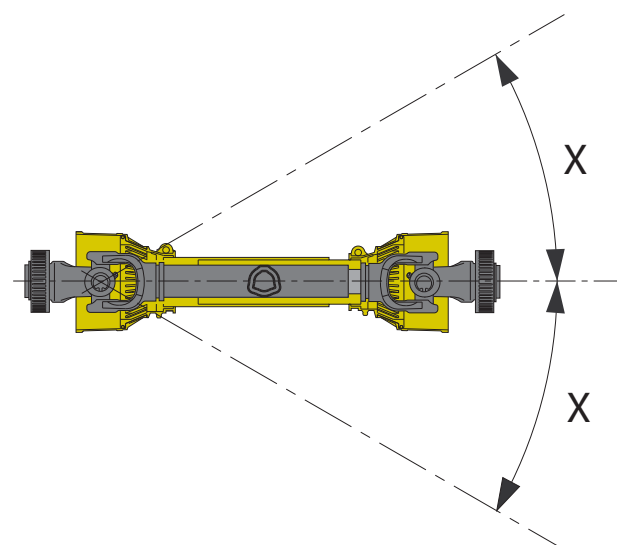


If this is not the case:

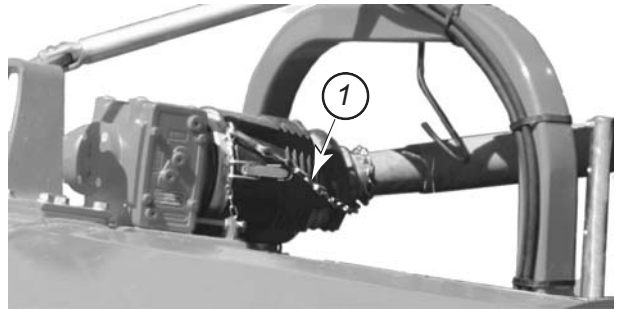
- Mark length (H) to cut when the transmission is the maximum overlap position.
- Shorten the guard tubes and the transmission tubes by the same length.
- Bevel and clean the tubes.
- Grease the inside of the outer tube.



Never operate the PTO shaft at an angle X exceeding 30° .



On machine side, attach PTO shaft guard chain to the gear box guard fastener ((1)).



To avoid serious accidents, the PTO drive shaft guards must be properly in place and fixed with the chains provided.

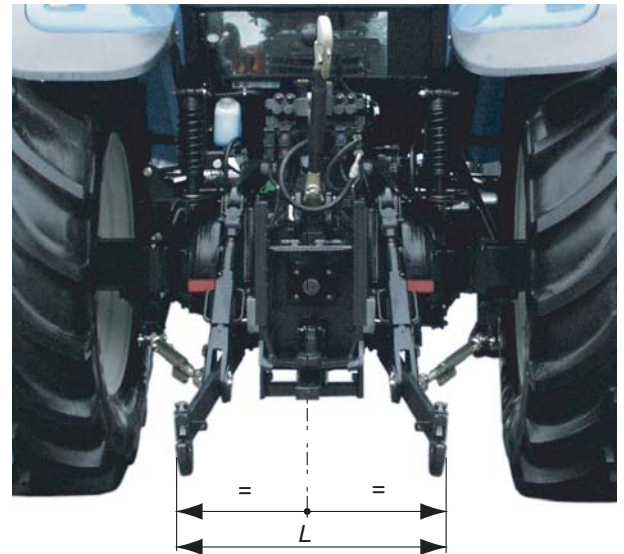


Immediately replace any worn or damaged guard.

■ Adjusting the machine

Lateral adjustment of the lower links

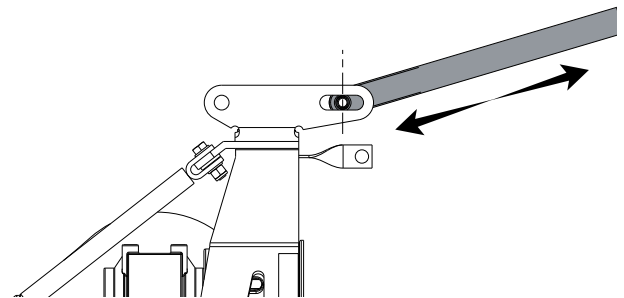
- Balance the play on either sides of the lift linkage and lock lower link stabilizers.



Length of the top link

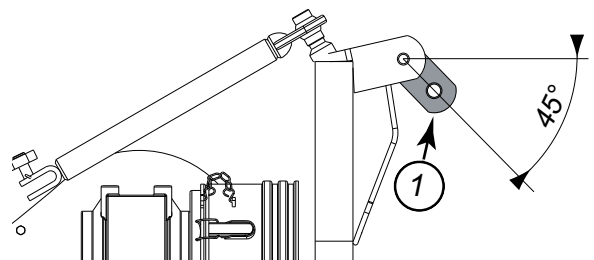
Fixed headstock

- Adjust the height of the lift linkage and the length of the top link until the machine is horizontal or only slightly higher at the front.
- Adjust the length of the top link in order to place the hitch pin in the middle of the oblong hole.



Headstock with hydraulic offset

- Adjust the height of the lift linkage and the length of the top link until the machine is horizontal or only slightly higher at the front.
- Adjust the length of the top link in order to set the swinging yoke (1) at an angle of 45° when the machine is in the working position.



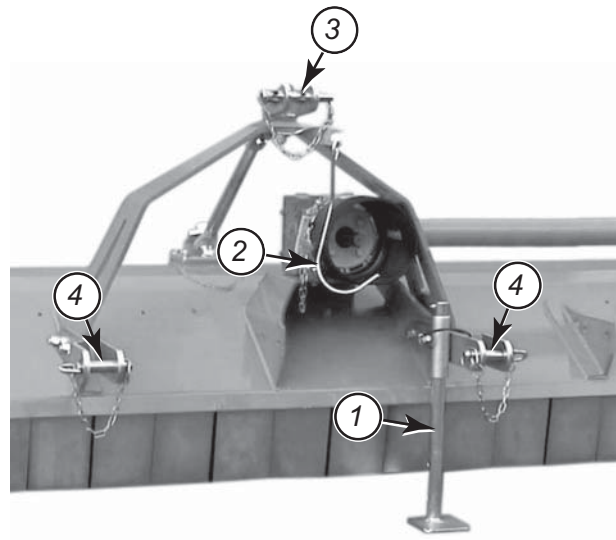
■ Uncoupling the machine



Park the machine on an even fairly level ground.

From the working position:

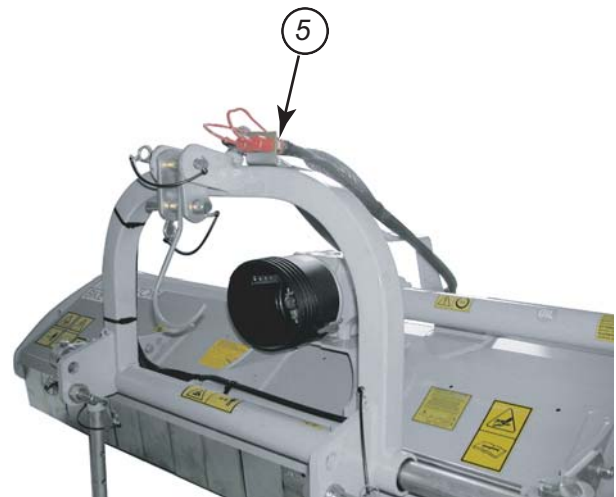
- Lower and lock parking stand (1).
- Lower the tractor three-point linkage to rest the machine on the ground.
- Uncouple and place PTO shaft in support (2).
- Detach the top link from the machine end (3).
- Release the lower links (4).
- Lower the tractor three-point linkage.



The machine is uncoupled.



Position hydraulic hoses on holder (5).



■ Handling

When lifting this equipment, use appropriate lift straps, chains or any other equipment, in perfect working order, complying with safety standards in force for this type of equipment, and with capacities that exceed the total weight of the unit, as listed in this manual:

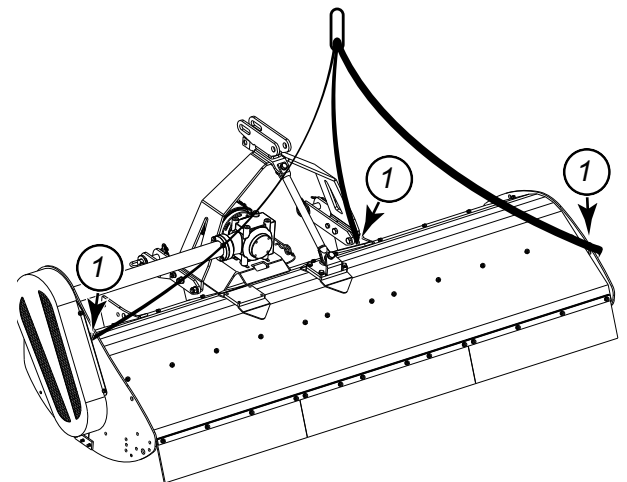


- BKE 150: **470 kg (1039 lb)**.
- BKE 180: **580 kg (1279 lb)**.
- BKE 210: **660 kg (1455 lb)**.
- BKE 230: **690 kg (1521 lb)**.
- BKE 250: **710 kg (1566 lb)**.

The location of lifting points is indicated by a pictorial.



Use lifting points (1).



Instructions for transport

Before placing the machine into transport position:



- Wait until the rotating parts have come to a complete stop.
- Check that nobody is within the machine pivoting area.
- If there is someone, make sure the person moves away.

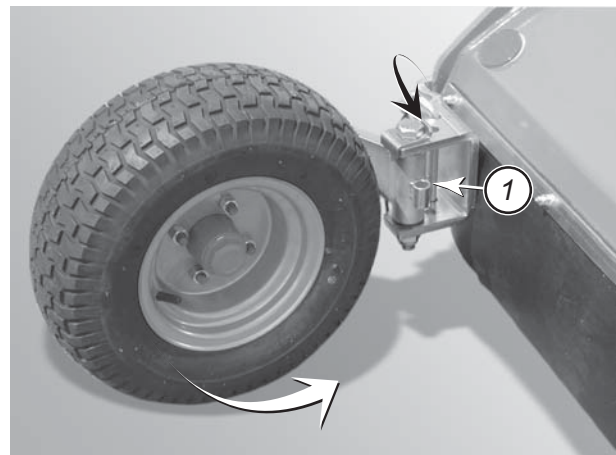
1. Putting the machine into transport position

From the working position:

- Lift the machine with the tractor's three point linkage.

If the machine is equipped with semi-pivoting wheels:

- Lock semi-pivoting wheels:
- Secure pin (1) using R-clip.



Headstock with hydraulic offset

- Activate offset cylinder to put the machine in line with the tractor.

The machine is in transport position.



Never engage the tractor PTO drive when the machine is in transport position.

2. Conformity with the road regulations



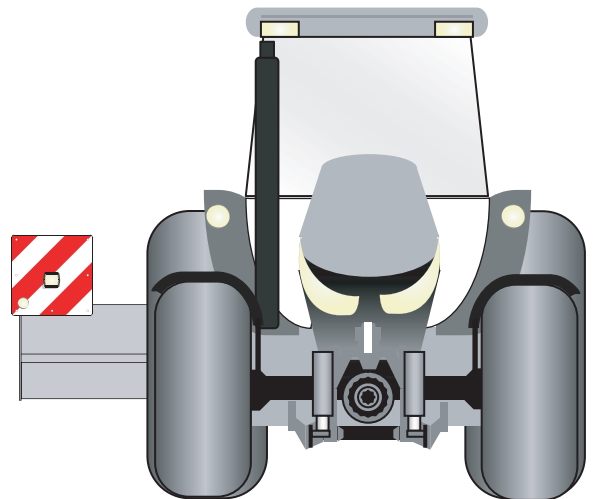
Before driving the machine on public roads, ensure that the machine complies with current highway code regulations.

Check that the light boards are clean and that the lighting equipment functions before transporting the machine on public roads.



In offset position, the machine juts out with regards to the tractor.

Follow the local regulations in terms of oversize equipment signalling and be careful when driving on roads.



Instructions for work

Before placing the machine in working position:



- Check that nobody is within the machine pivoting area.
- If there is someone, make sure the person moves away.

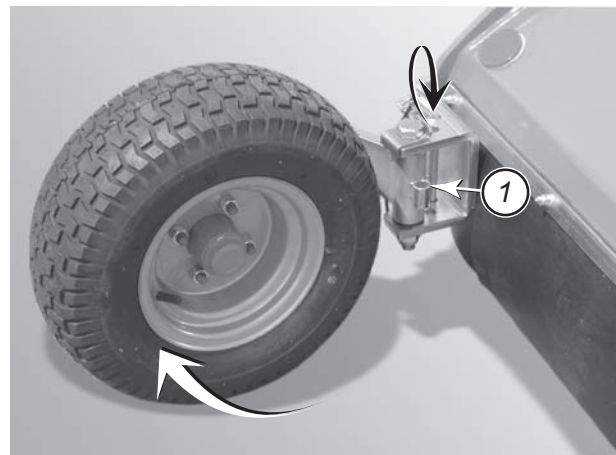
1. Putting the machine into work position

From the transport position:

If the machine is equipped with semi-pivoting wheels.

Unlock semi-pivoting wheels:

- Unlock and remove pin (1).
- Fit pin in its holder.
- Secure pin (1) using R-clip.



- Lower the tractor's lift linkage until the rear support unit touches the ground.

The machine is in working position.

2. Adjustments in working position

■ Working height

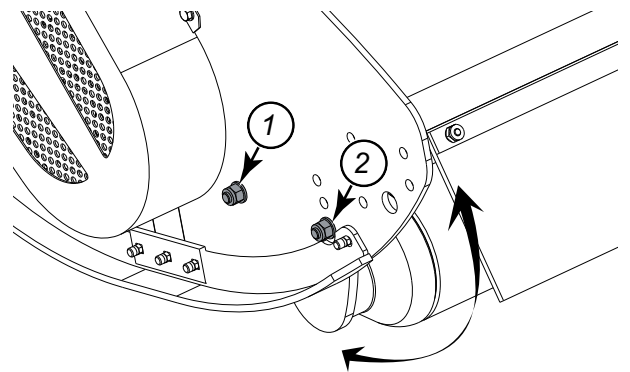


The cutting tools must never touch the ground.

The working height is set by the position of the rear support unit.

With roller:

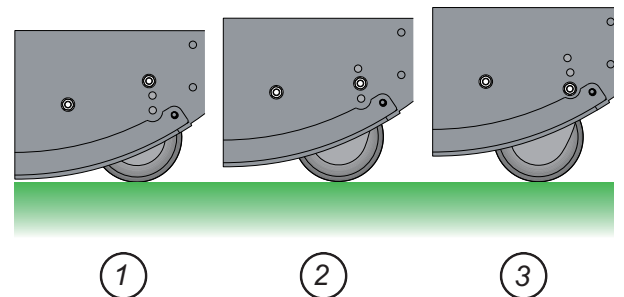
- Slightly lift the machine from the ground.
- Loosen bolts (1).
- Remove bolts (2).
- Position roller in holes corresponding to the required adjustment.
- Reinstall bolts (2).
- Tighten all the screws:
 - Torque: 9 daN m (65 lbf ft).



Relationship between the working height and the roller position:

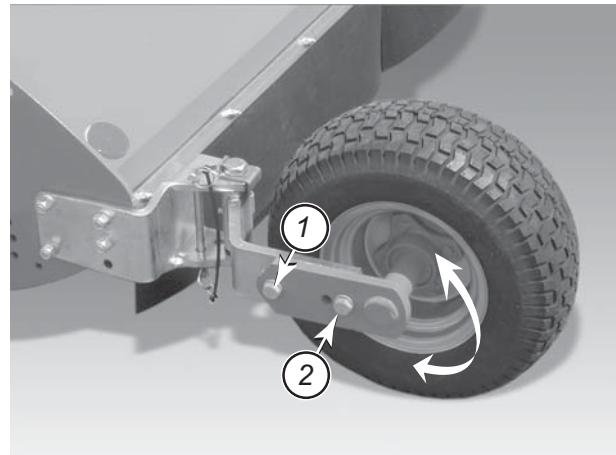


- Hole (1) = 23 mm (0.9").
- Hole (2) = 43 mm (1.7").
- Hole (3) = 63 mm (2.5").



With semi-pivoting wheels (Compulsory equipment):

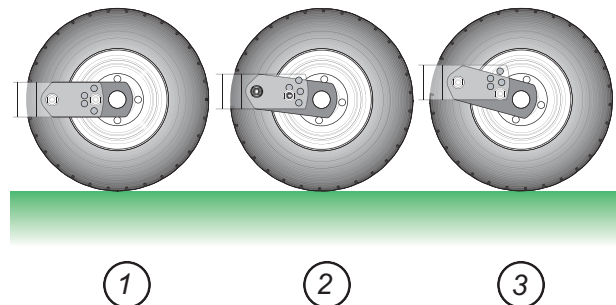
- Slightly lift the machine from the ground.
- Loosen screw (1).
- Remove screw (2).
- Position wheel arm in hole corresponding to the required setting.
- Reinstall and tighten screw (2):
 - Torque: 13,5 daN m (99 lbf ft).
- Tighten screw (1).
 - Torque: 13,5 daN m (99 lbf ft).



Relations between the working height and the position of the wheels:

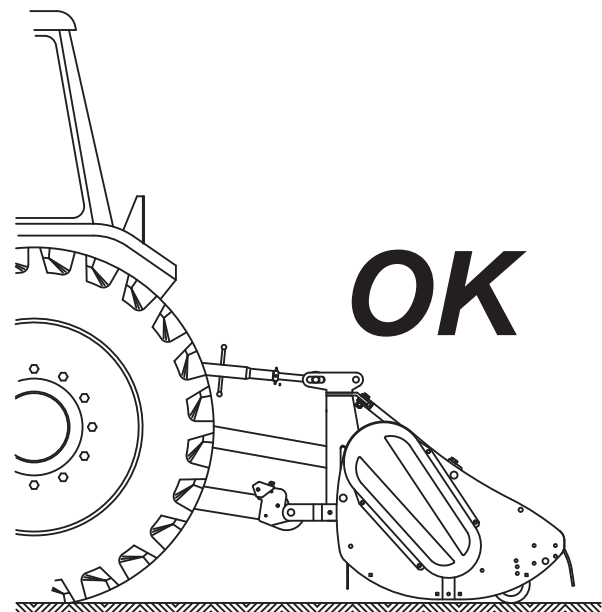


- Hole (1) = 23 mm (0.9").
- Hole (2) = 46 mm (1.8").
- Hole (3) = 63 mm (2.5").



■ Height of the tractor's lift linkage

- Lower the 3 point lift of the tractor until the rear support element rests on the ground.
- Adjust lift linkage height to obtain a perfectly horizontal position.



Avoid modifying the linkage height to tilt the machine frontwards.



When tilting the rear part of the machine downwards, there is an increased risk of material being ejected towards the operator.

3. Machine use

Before shredding: Keep all persons and animals away from the machine danger zone.

This zone is defined by a radius (R) of 10 m (33') around the working line of the machine.

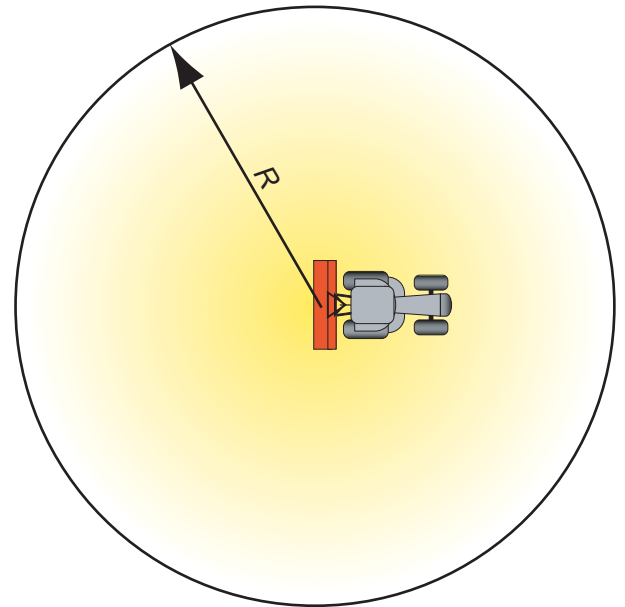
If using a tractor with a cab that is not sound-proofed or pressurized, the operator must use individual protection equipment:



Ear protections, if the noise exceeds normal exposure limits.

Anti-dust mask if working in very dry conditions or when large quantities of dust are lifted.

If the machine starts vibrating oddly during work, immediately stop and check the condition of the rotor, the cutting tools and the balancing ballast. Excessive vibration can cause physical harm to the user.



The top link is in floating position during work to provide good ground adaptation in irregular grounds.

■ Using the offset

Fixed headstock

- See section: "Preparing the machine".

Headstock with hydraulic offset

- Slightly lift the machine off the ground using the tractor lift linkage.
- Operate offset cylinder to move machine sideways or to center it with regards to the tractor.
- Lower the tractor three-point linkage to rest the machine on the ground.

■ **Groundspeed**

Adapt the forward speed to the working conditions.

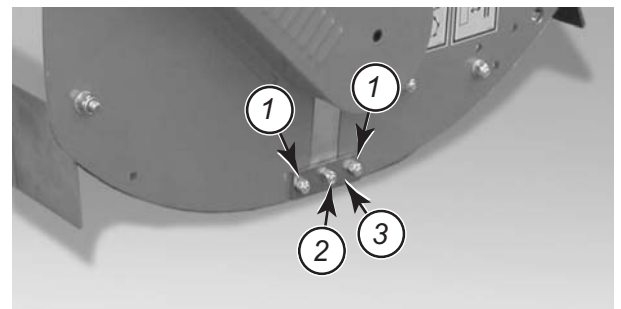
Optional equipment

1. Wear skids

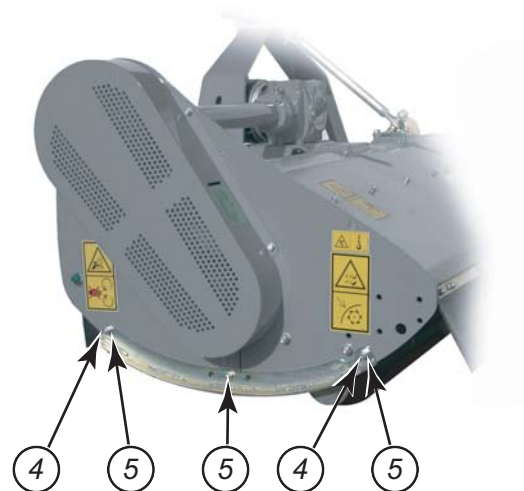
■ Fitting

Remove bracket (3):

- Remove original bolts and nuts (1).
- Remove nut (2).

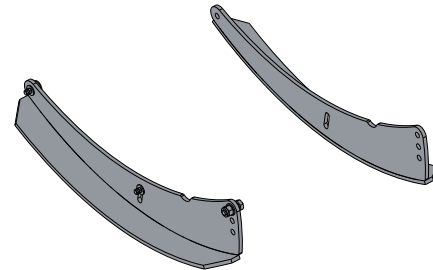


- Place the skid.
- Insert screws (4).
- Fit nuts (5).
- Tighten nuts
 - Torque : 5 daN m (37 lbf ft).
- Proceed the same way on the other side.



2. Skids

Use skids on irregular grounds, they ensure a steady working height and prevent contact between the shredding tools and the ground.

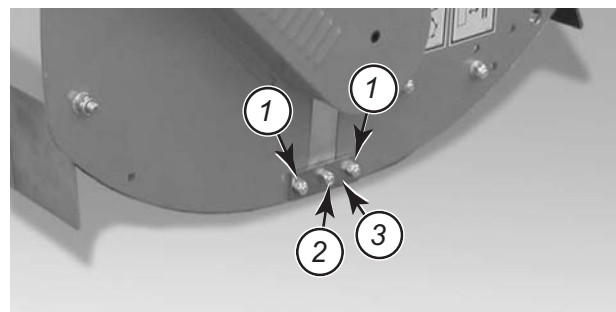


■ Mounting and adjustment

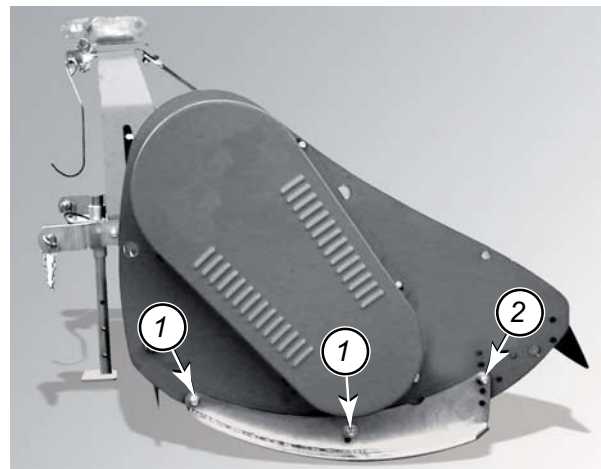
Slightly lift machine off the ground using an adapted lifting device.

Remove bracket (3):

- Remove original bolts and nuts (1).
- Remove nut (2).



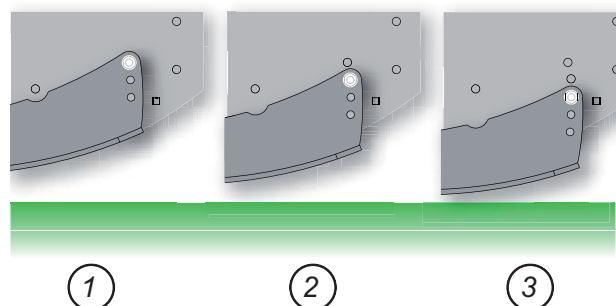
- Insert screws (1).
- Reinstall washers and nuts (1).
- Position skid in holes corresponding to the required adjustment.
- Insert screw (2).
- Install washer and nut (2):
 - Torque (1): 5 daN m (37 lbf ft).
 - Torque (2): 5 daN m (37 lbf ft).



Relations between the working height and the skid position:



- Hole (1) = 20 mm (0.8").
- Hole (2) = 30 mm (1.2").
- Hole (3) = 50 mm (2").



- Proceed the same way on the other side.
 - Check that the 2 skids are set identically.

3. Double skinned plate

■ Fitting



When lifting this equipment, use appropriate lift straps, chains or any other equipment, in perfect working order, complying with safety standards in force for this type of equipment, and with capacities that exceed the total weight of the unit, as listed in this manual:

- BKE 150: **470 kg (1036 lb).**
- BKE 180: **580 kg (1279 lb).**
- BKE 210: **660 kg (1455 lb).**
- BKE 230: **690 kg (1521 lb).**
- BKE 250: **710 kg (1566 lb).**

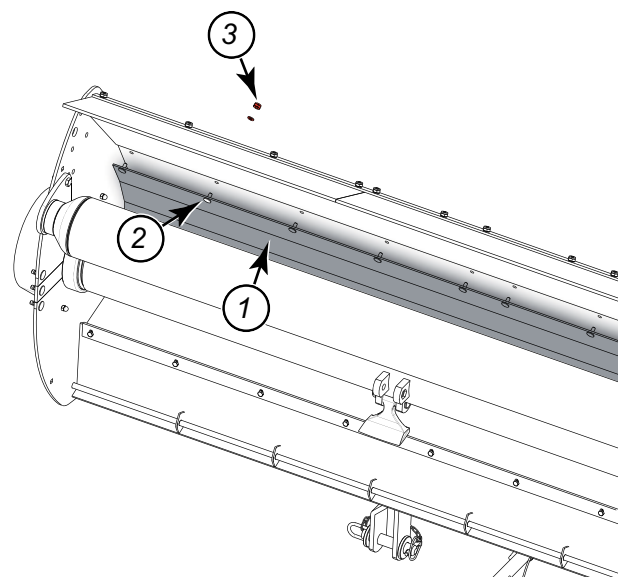
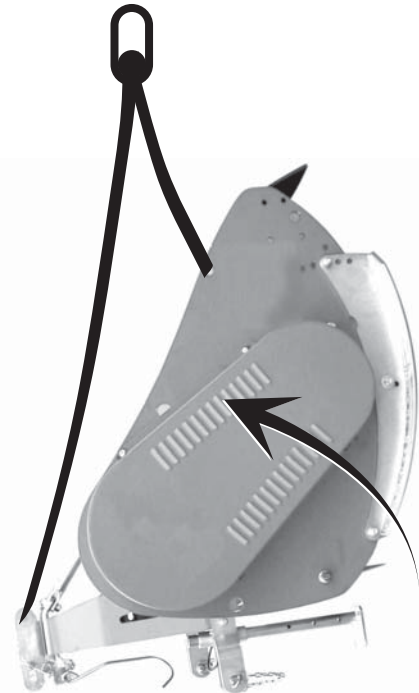
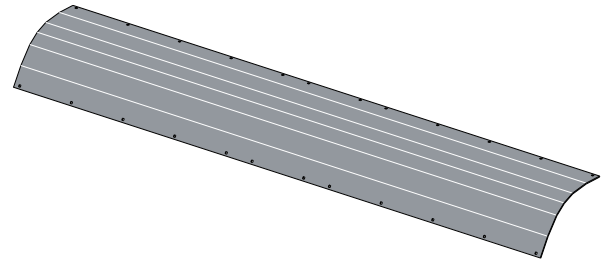
In parking position:

- Slightly lift machine off the ground using an adapted lifting device.
- Tip the machine forward.
- Lower the lifting device until the attachment yokes touch the ground.



Keep the slings under tension.

- Position double skinned plate (1) opposite the holes.
- Insert screws (2).
- Reinstall washers and nuts (3):
 - Torque: 2,5 daN m (18 lbf ft).
- Tilt machine rearwards.
- Place the machine in parking position.
- Remove slings.



Maintenance and storage



Before adjusting, maintaining or repairing the machine, turn off ignition key and wait until all moving parts have come to a complete stop.



1. Frequency chart

	Every 8 hours	Every 20 hours	Every 50 hours	Every 250 hours or at the end of the season
Draining:				
- Central gearbox				✓
Grease:				
- Cardan cross joints	✓			
- PTO shaft tubes		✓		
- The PTO shaft guiding bushes			✓	
- Hitch sliding tubes			✓	

2. Cleaning the machine

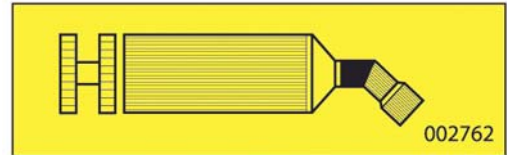
Regularly clean the rotor and the machine inner panels.

3. Lubrication

The pictorials show the points to be greased.
Clean grease nipples before greasing.



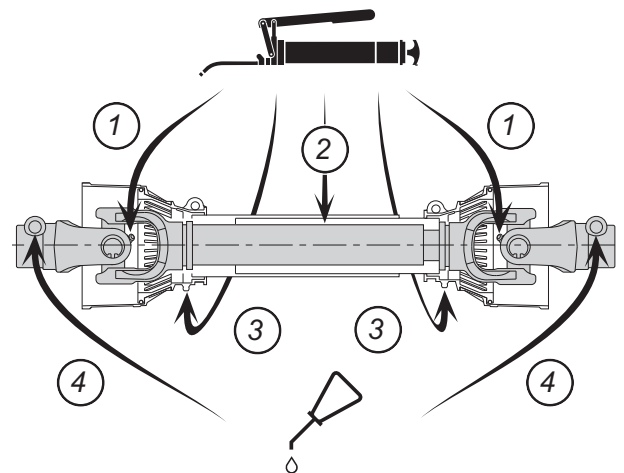
Lubricate with EP/2 multi-purpose lithium grease.



■ PTO shaft

Primary PTO shaft

- Every 8 hours:
 - universal joints (1).
- Every 20 hours:
 - transmission tube (2).
- Every 50 hours:
 - Guide rings (3).

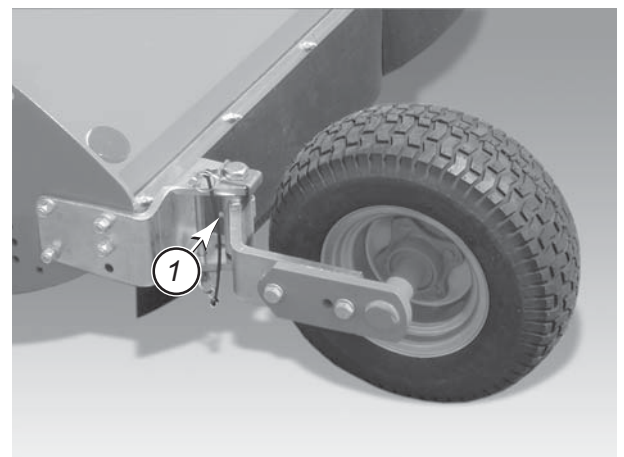


■ Grease:

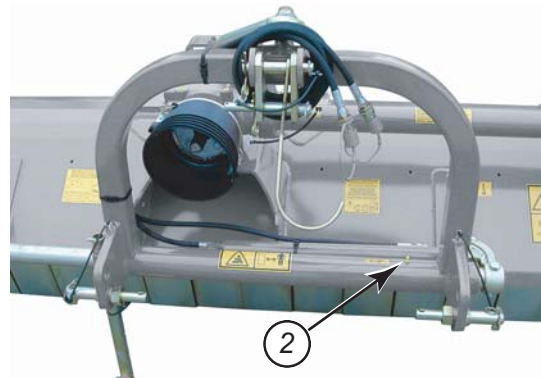
- The wheel pins (1).



The pictorials show the points to be greased.



- Hitch sliding tubes (2)



■ Draining

Gearbox



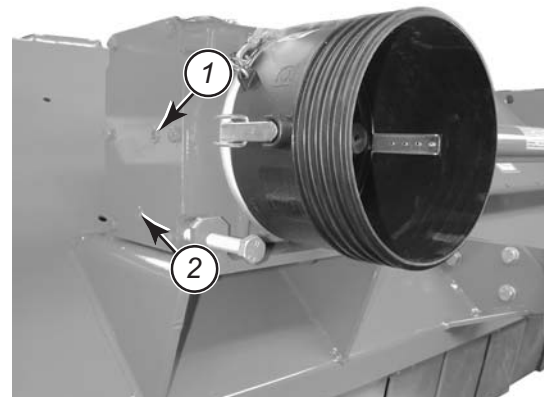
Before draining oil, operate the machine for a few minutes so that the oil warms up.

Lubricate with SAE 90 EP (ISO220) gear oil.

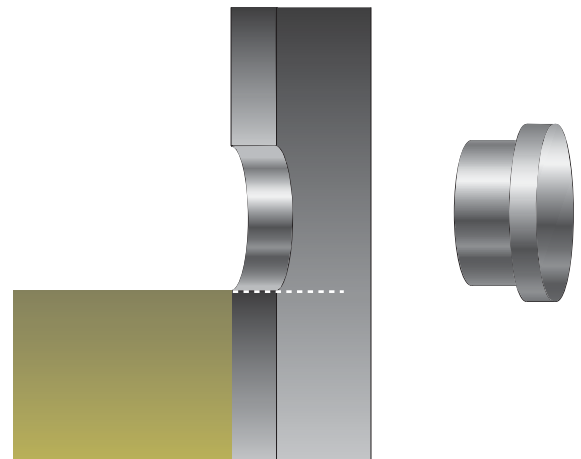


- BKE 150: **1.1 L (0.29 US gal).**
- BKE 180: **1.4 L (0.37 US gal).**
- BKE 210: **1.5 L (0.40 US gal).**
- BKE 230: **1.6 L (0.42 US gal).**
- BKE 250: **1.7 L (0.45 US gal).**

- Park the machine on an even fairly level ground.
- Remove filler plug (1).
- Place a container of sufficient capacity under drain plug.
- Remove drain plug (2).
- Allow oil to drain completely.
- Wait for dripping to stop.
- Clean and reinstall drain plug (2) and its washer. Replace if necessary.
- Pour the correct oil quantity and quality through the opening of the filler plug.



- The oil level must reach lower part of level plug hole.
- Reinstall level plug (1).
- Reinstall filler plug (1).



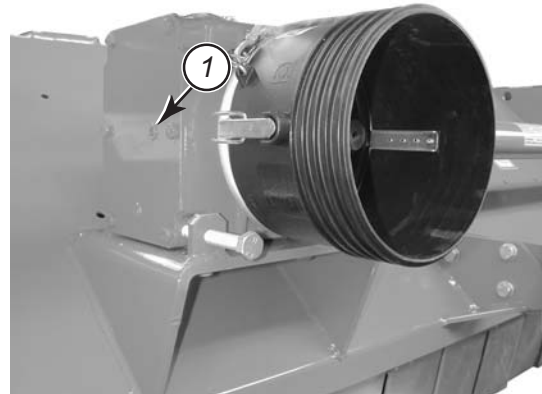
4. Maintenance

■ Checking the oil levels

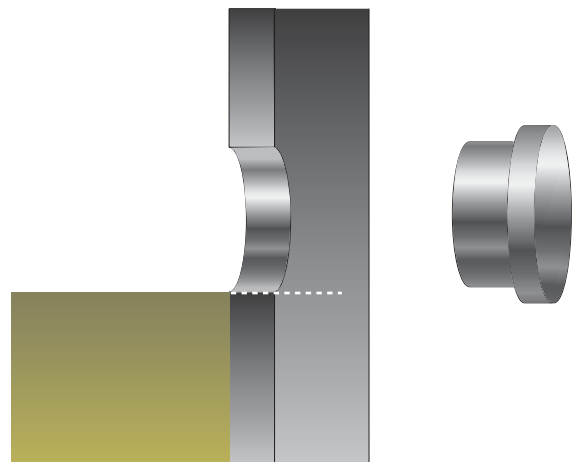
✓ *Place the machine on level ground.*

Check central gearbox oil level:

- Place the machine on level ground.
- Remove level plug (1).



- The oil level must reach lower part of level plug hole.
- Reinstall level plug (1).



■ **Check cutting tools and their fixing elements**

Cutting tools:

Universal knives Type 01 (1)

①



Hammer knives Type 06/K (2)

②



Pallet for grass Type 04 (3)

③



Pivoting universal knives Type 08 (4)

④



Articulated hammer knives Type 09L (5)

⑤



Check cutting tools before each use in order to:

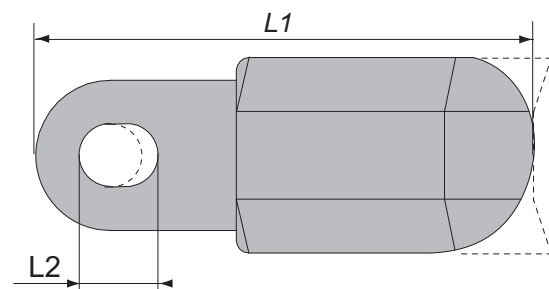
- ensure shredding quality.
- guarantee safety in use.
- avoid risk of damaging the fixing elements.

Replace cutting tools in the following cases:

- Damaged cutting tools:
 - Very uneven ground can cause the knives to crack or warp.
- Important wear.

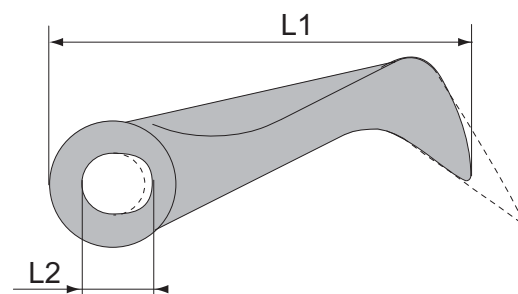
Universal knives

- The length L1 of the universal knives must exceed 90 mm (3.54").
- Ovalisation of the mounting hole L2 must not exceed 18 mm (0.71").



Hammer knives

- The cutting tool length L1 must exceed 90 mm (3.54").
- Ovalisation of the mounting hole L2 must not exceed 18 mm (0.71").



Fixing elements

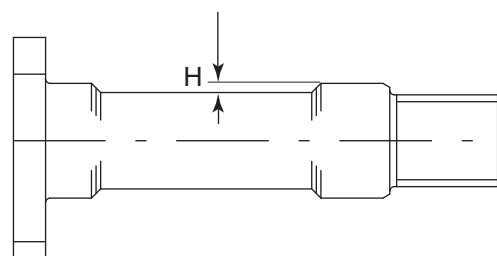
Check the condition of the fixing elements regularly and also the torque of the knife-fixing bolt. Torque: 10.5 daN m (77.4 lbf ft).

Check the fixing elements:

- After hitting an obstacle.
- When knives are replaced.
- At the start of each season.

The fixing bolts should be changed in the following cases:

- When there is visible distortion.
- When the thread is damaged or worn.
- When a groove (H) of over 2 mm (0.08") has developed.



Replacing knives and pallet knives



Immediately replace worn or damaged parts with original manufacturer parts.



**Replace self-locking nuts after each removal operation:
Torque: 10.5 daN m (77.4 lbf ft).**

From the transport position:

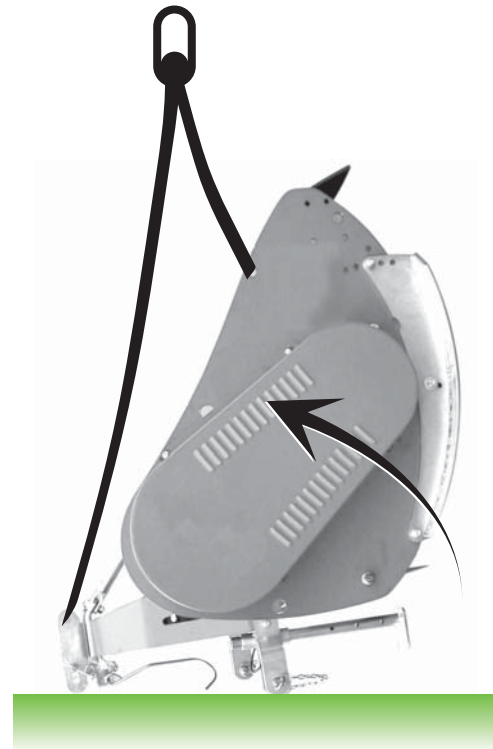
Uncouple PTO shaft on machine side.

- Partial replacement:

- Lift the machine using the tractor's lift linkage.
- Prop up frame using trestles.
- Replace damaged or worn knives.
- Replace the knives that are diametrically opposite to maintain the existing balance.
- Check that there is still 1 to 2 mm (0.04" - 0.08") play between the pair of knives and the supports.

- In parking position:

- Slightly lift machine off the ground using an adapted lifting device.
- Tip the machine forward.
- Lower the lifting device until the attachment yokes touch the ground.

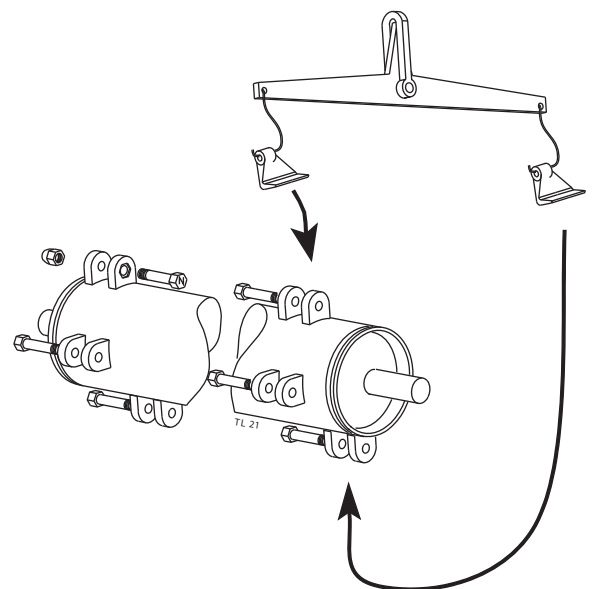


Keep the slings under tension.

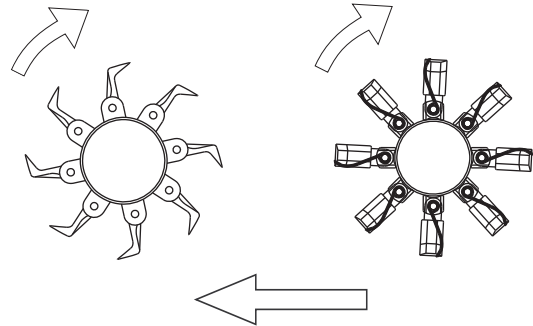
- Weigh cutting tools.
- Pair up equally weighted cutting tools so that they can be placed diametrically opposite.



Put the lighter pairs in the center of the rotor and the heavier pairs to the edges.



- Fit the knives according to the direction of travel of the machine.
 - Check that there is still 1 to 2 mm (0.04" - 0.08") play between the pair of knives and the supports.
- Checking the balance:
- Couple PTO shaft on machine side.
 - Slightly lift the machine from the ground.
 - Start the PTO drive and increase speed progressively up to a steady speed of 540 min⁻¹.
 - When mounted correctly, the rotor must rotate without causing the machine to vibrate.



■ Belt tension

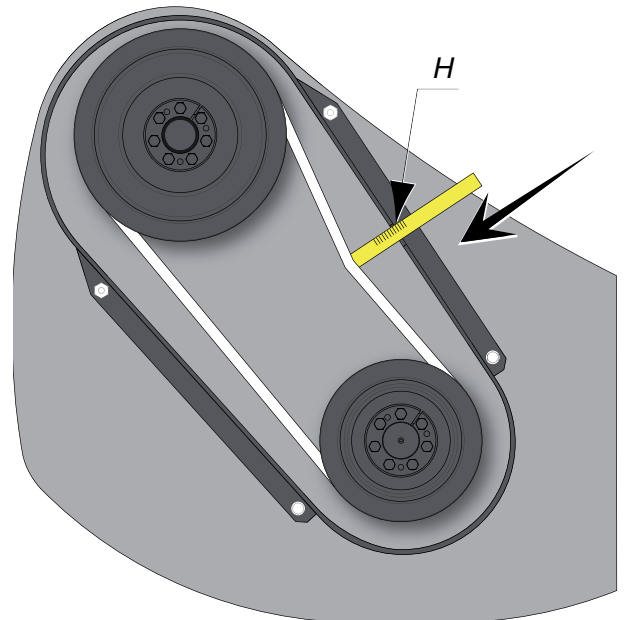
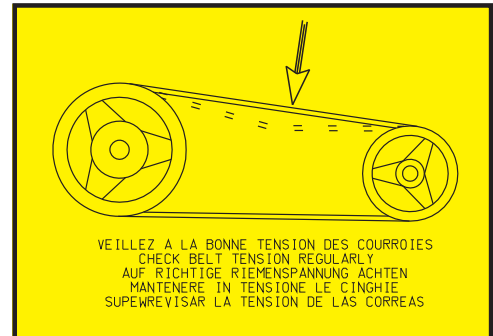


Check belt tension:
After the first 3 hours of use.
Every 8 hours.

Checking the tension:

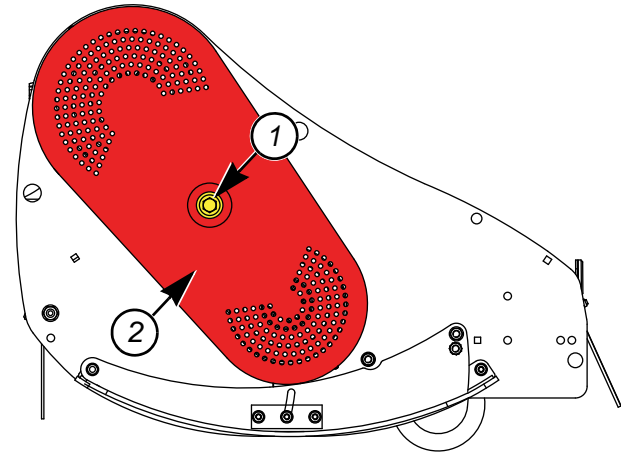
Through the belt guard slot:

- Apply a force of 35 N (1.6 lbf) on the belt: the belt should not deflect more than $H = 7 \text{ mm}$ (0.3").



Adjusting the tension:

- Loosen screw (1).
- Remove hood (2).



Replace belts, if proper tension can no longer be obtained.



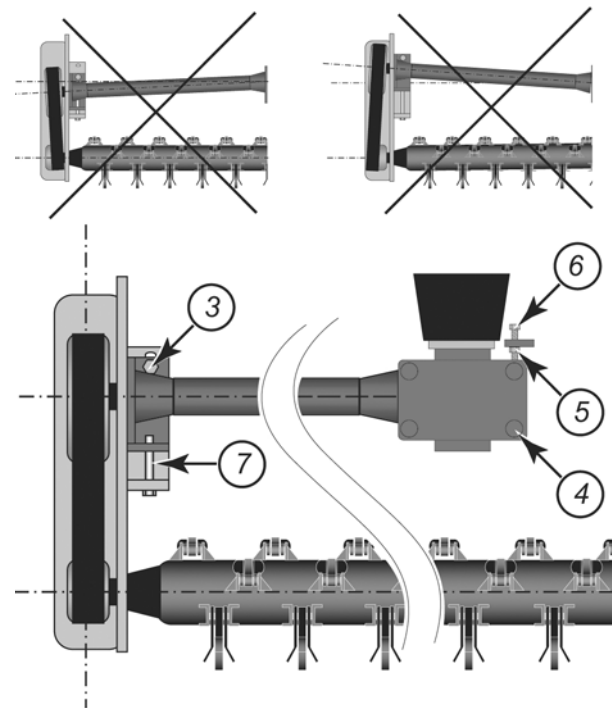
Always replace the complete belt set if one of them is damaged.

- Loosen screw (3).
- Loosen the 4 screws (4) that hold the central gearbox.
- Loosen counter nut (5).
- Turn the adjustment screws (6) and nuts (7) equally until reaching the optimum tension.

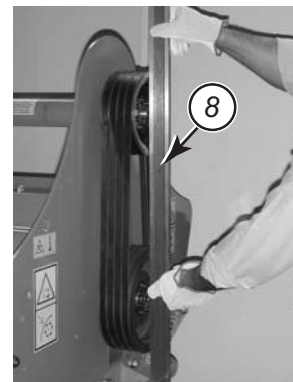


By adjusting (3) and (4) equally, the central transmission shaft is kept parallel to the rotor.

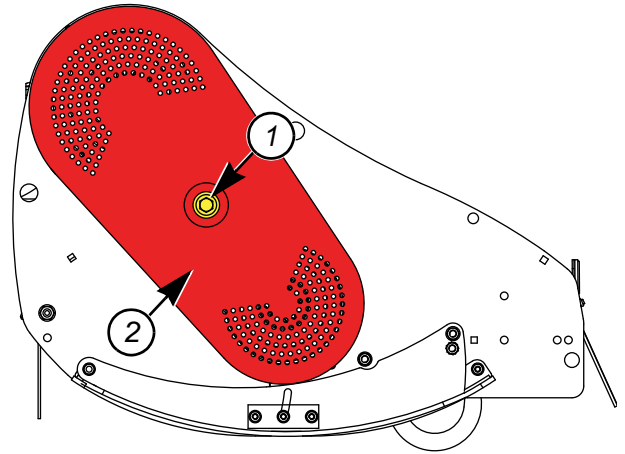
- Tighten screws (3) and (4).
- Tighten counter nut (5).



- Using a ruler, check that pulleys are in line (8)
- Repeat procedure until perfect pulley alignment is obtained.



- Refit the cap (2).
- Tighten bolt (1):
 - Torque: 13,5 daN m (99 lbf ft).



5. Storage

■ At the end of each season

- Clean the machine thoroughly:
 - The rotor.
 - The inner panels.
 - Rotor housings.
 - Roller housings.
- Touch up any areas of damaged paintwork.
- Lubricate all mechanical components correctly to protect them from corrosion.
- Put the machine under cover in a dry place.
- Check the condition of the fixing elements regularly and also the torque of the knife-fixing bolt. Replace if necessary.
- Check that the original safety decals are in their original location, undamaged and legible.
- Drain bevel gearbox and fill with new oil.
- Slacken V-belts and check their condition.

■ At the start of each season

- Re-read the operators' manual.
 - Check that the machine is greased.
 - Check all the knives and fixings, and replace if necessary.
 - Check that all nuts and bolts are sufficiently tightened.
 - Retension V-belts.
 - Check belt guard condition and if it is firmly secured in place.
 - Make sure that all protection devices are in place and in good condition.
-

6. Machine recycling

In case of recycling, the machine will have to be recycled in conformity with the legislation in force in the country concerned.

Prior to proceeding with the recycling, remove all plastic or rubber parts, electric or electronic equipment.

Collect possible residual oil and give it to an appropriate processing center.

Parts only made up of plastic, aluminium, steel can be recycled if they are collected by an appropriate center.

Troubleshooting guide

■ Problem	■ Cause	■ Remedy
Excessive vibrations	<ul style="list-style-type: none"> - Breakage or excessive wear of knives or hammer knives. - Knife or hammer knife jamming on the pivot point. - Incorrect rotor balance 	<p>Replace worn or damaged parts.</p> <p>Clean and grease pivot points.</p> <p>Check weight of knives and hammer knives.</p>
Poor cutting quality due to a drop in the rotor speed.	<ul style="list-style-type: none"> - Insufficient belt tension. - Excessive belt wear. 	<p>Adjust tension.</p> <p>Replace belts.</p>
Belt overheating.	<ul style="list-style-type: none"> - incorrect belt tension. - The angle gearbox axle is no longer in line with the rotor axle. 	<p>Check tension.</p> <p>Check alignment.</p>
Angle gearbox overheating.	<ul style="list-style-type: none"> - Lack of oil. - No oil. 	<p>Top up until proper oil level is reached.</p> <p>Replace gearbox.</p>
Fast knife or hammer knife wear.	<ul style="list-style-type: none"> - Working position too low, interference with the ground. 	<p>Adjust working height.</p>
Drive shaft oil loss on the belt side.	<ul style="list-style-type: none"> - Seal wear or breakage. 	<p>Replace seal.</p>
Distortion of roller or wheel supports.	<ul style="list-style-type: none"> - The roller or wheel supports have been subject to lateral forces. 	<p>Raise machine off the ground when inverting the direction of travel or steering the wheels.</p>
Distortion of the front pivoting safety flaps.	<ul style="list-style-type: none"> - The machine has been lowered onto the residues to shred from the raised position (transport position). 	<p>The machine must be in working position before coming into contact with the residues to shred.</p>
Rotor jamming during work.	<ul style="list-style-type: none"> - Clogging due to foreign bodies (example: wire, plastic material). 	<p>Put on gloves and remove foreign bodies with adequate tools.</p>

Appendix

1. Calculating the load on an axle

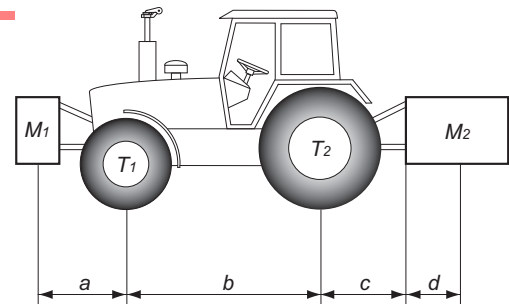


When coupling a tool to the front and/or rear 3-point lift linkage, the maximum authorized payload must not be exceeded.

The load on the tractor front axle must always represent 20 % of the tractor unladen weight.

Prior to use, check that these conditions are satisfied by making this calculation or by weighing the tractor-machine unit

- Define the total weight, axle loads, tyre capacity and minimum additional mass:



The following values are required for the calculation:

Description	Units	Description	Obtained by
T	kg	Tractor unladen weight	① ④
T1	kg	Unladen load on tractor front axle	① ④
T2	kg	Empty load on tractor rear axle	① ④
t	kg	Axle loads (Tractor + machine)	④
t1	kg	Load on front axle (Tractor + machine)	④
t2	kg	Load on rear axle (Tractor + machine)	④
M1	kg	Total weight of front tool or front ballast	② ④
M2	kg	Total weight of rear tool or rear ballast	② ④
a	m	Distance between the tools' centre of gravity or the front ballast and the front axle centre	② ③
b	m	Distance between the tractor axles	① ③
c	m	Distance between the rear axle center and the center of the lower link ball joints	① ③
d	m	Distance between the centre of the lower link ball joints and the centre of gravity of the rear tool or rear ballast	②

① Refer to the tractor operators' manual

③ Dimensions

② Refer to the machine price-list or operators' manual

④ Measure on scale

Rear tool or front-rear combination:

1) Calculation of the minimum front ballast weight $M1_{\text{minimum}}$

$$M1_{\text{minimum}} = \frac{M2 \times (c+d) - T1 \times b + 0.2 \times T \times b}{a+b}$$

Write the minimal additional weight in the chart.

Front tool:

2) Calculation of the minimum rear ballast weight $M2_{\text{minimum}}$

$$M2_{\text{minimum}} = \frac{M1 \times a - T2 \times b + 0.45 \times T \times b}{b+c+d}$$

Write the minimal additional weight in the chart.

3) Calculation of the actual load on the front axle $T1_{\text{real}}$

If the front tool (M1) is lighter than the minimum load required at the front (minimum), increase tool weight until the required minimum front load is reached

$$T1_{\text{real}} = \frac{M1 \times (a+b) + T1 \times b - M2 \times (c+d)}{b}$$

Indicate front axle calculated load value and the one indicated in the tractor operators' manual.

4) Calculation of the total weight M_{real}

If the rear tool (M2) is lighter than the minimum load required at the rear (minimum), increase tool weight until the required minimum rear load is reached

$$M_{\text{real}} = M1 + T + M2$$

Indicate calculated total load value and the one authorized as indicated in the tractor operator's manual.

5) Calculation of the actual rear axle load $T2_{\text{real}}$

$$T2_{\text{real}} = M_{\text{real}} - T1_{\text{real}}$$

Indicate rear axle calculated load value and the one indicated in the tractor operator's manual.

6) Tyre carrying capacity

Indicate double (2 tyres) the authorized load value (see tyre manufacturer indications).

Table:

	Actual value obtained by calculation	Value authorized according to operator's manual	Double value of the authorized capacity per tyre (2 tyres)
Minimum front/rear ballasting	kg		
Total weight	kg ≤	kg	
Load on front axle	kg ≤	kg ≤	kg
Load on rear axle	kg ≤	kg ≤	kg

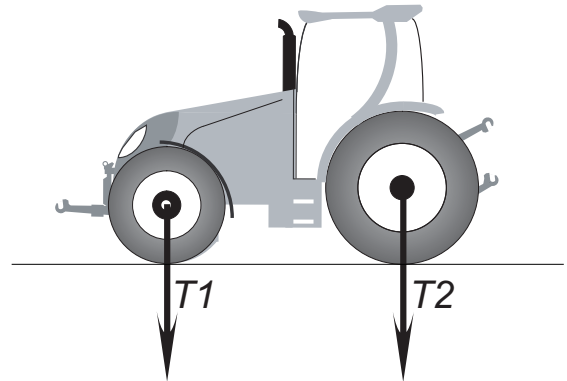
The minimum ballasting must be made by fitting a tool or an additional mass to the tractor.
 The values obtained must be below or equal the authorized values.

■ **Determining the machine weight (M2) and the position of its centre of gravity (d)**

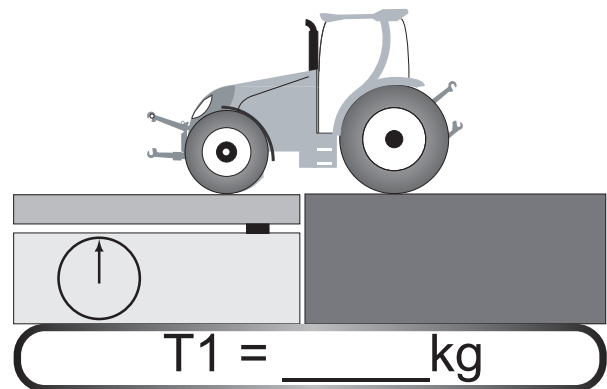


If the data required to calculate the total weight, axle loads and minimum ballasting are not supplied, use the following method.

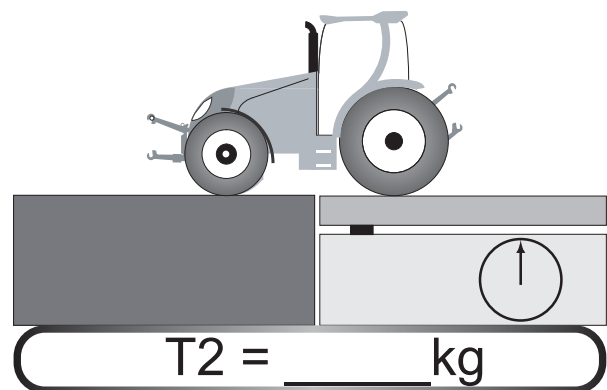
Tractor only:



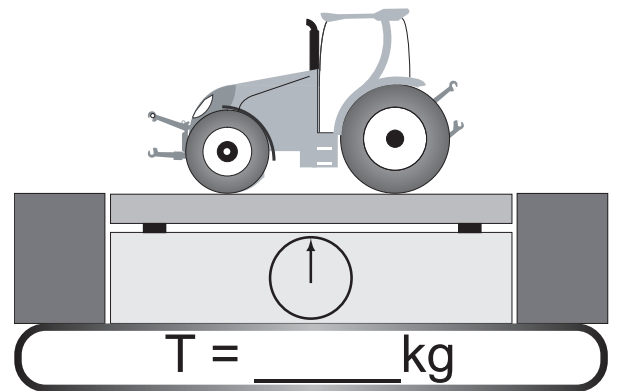
- T1: Load on front axle.
 - Tractor only.



- T2: Load on rear axle.
 - Tractor only.



- T: Axle loads.
 - Tractor only.



Rear tool or front-rear combination:



If the total unit weight exceeds the tractor Gross Combined Weight Rating in accordance with the country's legislation, empty the hopper to travel on public roads.

NOBILI S.p.A. Via Circonvallazione Sud 46, 40062 Molinella (Bologna) Italia, according to the below-mentioned exceptions, certifies that its production is guaranteed against all defects of manufacture and material, on condition that it is used and treated complying with the instructions indicated in the use and maintenance handbook.

This guarantee lasts **12 (twelve)** months starting from the date of delivery to the user. This date will be verified through the postmark of the guarantee card filled in every part and sent to **NOBILI** company.

The guarantee is limited to the free supply ex works of the items found faulty by our technical services.

Elements excluded from the guarantee conditions:

- Parts of the machine, not manufactured by **NOBILI** (such as: tyres, transmission belts, cardan transmissions, gear cases, etc.). They have only their manufacturers' guarantee.
- Parts whose deterioration is due to wear.

Exceptions invalidating the guarantee:

- Changes carried out on the machine without **NOBILI** written permission.
- Reparations carried out in unauthorized workshops.
- Use of not original spare parts.
- Carelessness in maintenance.
- Use of the machine not according to what is indicated in the **use destination**.
- Removal of the guards placed on the machine: the guards should never be removed. They should be periodically checked and, if damaged, restored in their original conditions.
- Non-performance of safety instructions about the machine indicated in the use handbook.

The **NOBILI** will disclaim all responsibility:

- For damages suffered or caused during the machine transport and unloading.
- For direct or indirect damages caused by the break of parts forming the machine or caused by the non-working of the machine itself.

The user is in charge of:

- Normal maintenance of the machine, lubrication, keeping of oil levels, adjustments for use.
- Costs of transport and labour necessary for disassembling, re-assembling and adjusting parts which should be substituted under guarantee.

Warranty demand:

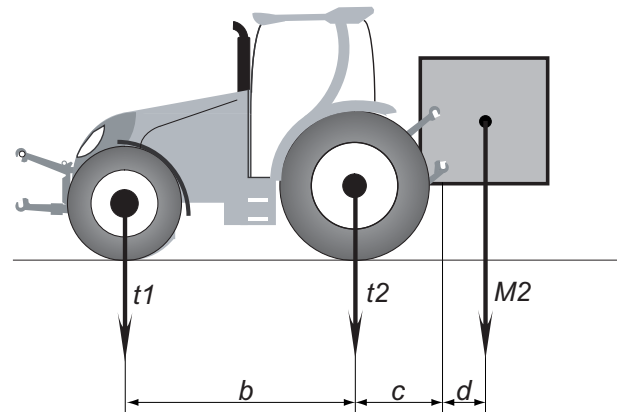
The demand for guarantee should be written and sent to **NOBILI** by the seller, within 4 weeks since the damage occurred, indicating: user's name and address, type, model, serial number, date of sale, date of the failure, hours worked, supposed circumstances and causes.

The parts should be sent to **NOBILI** for being examined for granting the guarantee authorizing the replacement of the part.

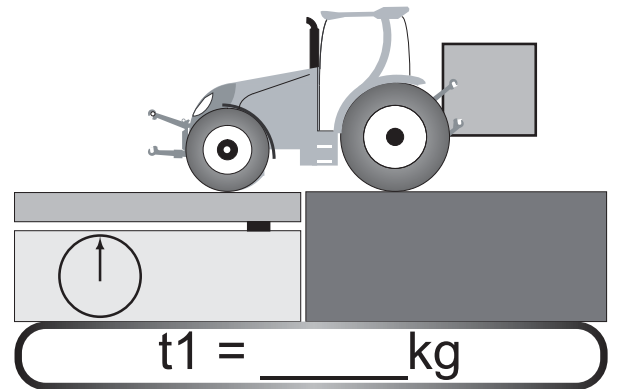
Changes:

The **NOBILI S.p.A.** reserves the right to carry out the changes it considers necessary on its production, without prior notice to the customers. It is not forced to change the machines already in use or on sale.

- Measure dimension (b).
- Measure dimension (c).



- t_1 : Load on front axle.
 - Tractor + machine.
 - Hopper empty.



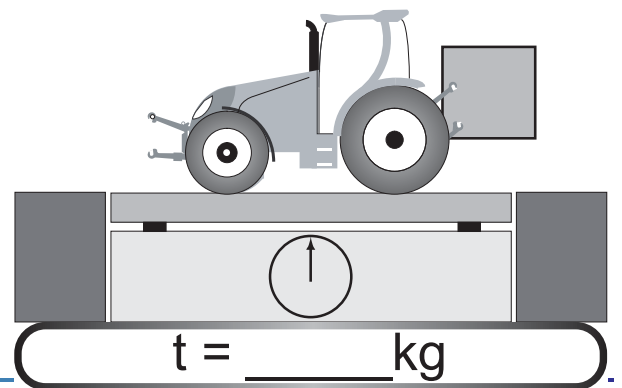
- t : Axle loads.
 - Tractor + machine.
 - Hopper empty.

Calculating the rear tool weight (M2):

$$M_2 = T - t$$


Calculating the distance (d):

$$d = ((b \times (T_1 - t_1)) / M_2) - c$$



Limited warranty

Specimen of the “ Declaration of conformity ”

NOBILI	Dichiarazione di conformità CE alla direttiva 2006/42/CE Déclaration CE de conformité à la directive 2006/42/CE EC declaration of conformity to directive 2006/42/EC EG-Konformitätserklärung der Richtlinie 2006/42/EG
NOBILI S.p.A. Via Circonvallazione Sud, 46 - 40062 Molinella (BO) - ITALY Tel. +39 051.88.14.44 - FAX +39 051.88.27.03 - - http://www.nobili.com - info@nobili.com	
Depositario della documentazione: Dépositaire documentation: Documentation Depository: Verwahrer Dokumentation:	Andrea Barilani - Nobili S.p.A. Via Circonvallazione Sud, 46 - 40062 Molinella (BO) - ITALY
Dichiara che la macchina: Déclare que la machine: Declares that the machine: Erklärt, dass die Maschine:	NOME MACCHINA S/N: NR SERIE Year: ANNO
è conforme alla Direttiva Europea 2006/42/CE. Per l'adeguamento della macchina sono state consultate le seguenti Norme Armonizzate: UNI EN 745:2010 - EN 13524:2009 - EN ISO 4254-6:2009 - EN ISO 4254-1:2009. Nonché le specifiche tecniche: ISO 11684:1995. In caso di vendita della macchina, la presente dichiarazione deve essere consegnata all'acquirente.	
est conforme aux dispositions de la Directive Européenne 2006/42/CE. Est conforme aux exigences des normes européennes harmonisées suivantes: UNI EN 745:2010 - EN 13524:2009 - EN ISO 4254-6:2009 - EN ISO 4254-1:2009. Est conforme aux exigences des normes ou des spécifications techniques suivantes: ISO 11684:1995. En cas de revente de la machine, la présente déclaration de conformité doit être remise à l'acheteur.	
conforms to the requirements of the European Directive 2006/42/EC. Conforms to the requirements of following European harmonized standards: UNI EN 745:2010 - EN 13524:2009 - EN ISO 4254-6:2009 - EN ISO 4254-1:2009. Conforms to the requirements of following standards or technical specifications: ISO 11684:1995. In case of resale of the machine, this declaration of conformity must be given to the buyer.	
Den Bestimmungen der Europäischen Richtlinie 2006/42/EG entspricht. Den Anforderungen folgender harmonisierter Normenweise entspricht: UNI EN 745:2010 - EN 13524:2009 - EN ISO 4254-6:2009 - EN ISO 4254-1:2009. Den Anforderungen folgender Normenweise oder technischer Spezifikationen entspricht: ISO 11684:1995. Bei Weiterverkauf der Maschine muss die Konformitätserklärung dem Käufer übergeben werden.	
Responsabile della Sicurezza: Responsable Sécurité: Head of Safety: Sicherheitsleiter:	 Andrea Barilani Molinella (BO): GG/MM/AAAA

NOBILI

Il nome che conta

**For your safety and the good working
of your machines,
use original NOBILI spare parts only**

RAPPRESENTATO DA:
REPRESENTED BY:
REPRESENTE PAR:
VERTRETEN DURCH:



40062 MOLINELLA (BO) ITALY - Via Circonvallazione Sud, 46
Tel. 051/88.14.44-45 - Telefax 051/88.27.03
www.nobili.com - E-mail: info@nobili.com

