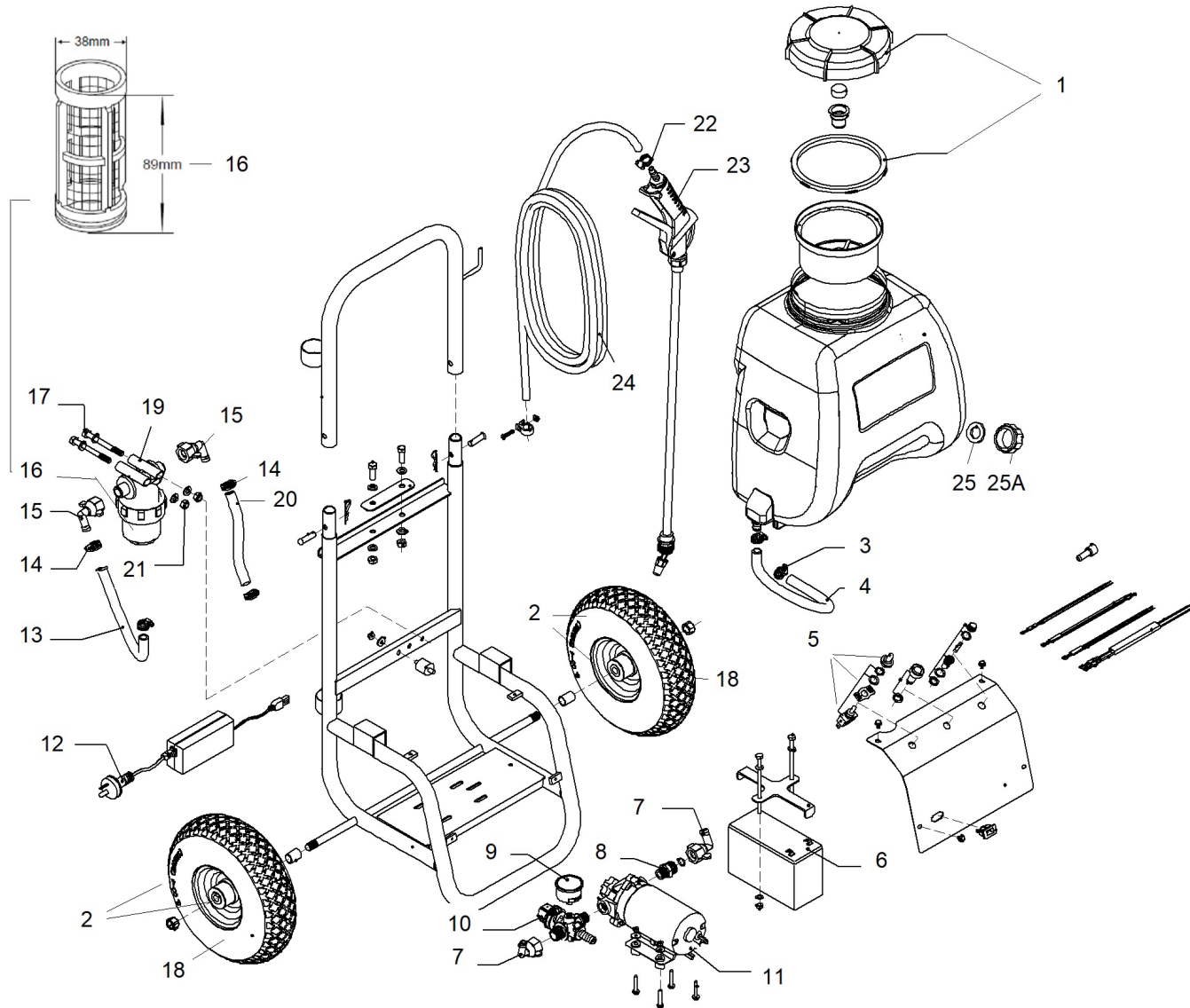


TR25-2 20L RECHARGEABLE UPRIGHT TROLLEY SPRAYER



TR25-2 20L RECHARGEABLE UPRIGHT TROLLEY SPRAYER

N.	Code	Description	Qty	Note	EAN CODE	LIST PRICE
1	382-042	LID & GASKET TO SUIT REDLINE 25 55 & 100	1,00		0000000341424	
3	187-MH05	HOSE CLAMP SUIT10MM HOSE	1,00		9327602014961	
4	186-10D	HOSE 10MM SILVAN AG DEL BLACK	1,00	SOLD PER MTR	9327602001619	
5	118-085	SWITCH TOGGLE ON/OFF HEAVY DUTY	1,00		9327602040663	
6	BAT1	BATTERY KNAPSACK	1,00		9327602019119	
7	361-8-060-PK	SHURFLO NUT&ELBOW 3/8in 2PK	1,00		9327602002258	
8	361-8-145-01	NIPPLE 3/8IN. NPT X 1/2IN. NPT	1,00		9327602027954	
9	908006	GAUGE-R/E 0/6BAR 1/8BSP	1,00		9327602215382	
10	9620222	PRESSURE REG ATV -NO GAUGE	1,00		9327602215399	
11	DDP-552	PUMP 12V SMOOTHFLO 7L 120PSI	1,00		9337027017690	
12	382-512	CHARGER TR25-2	1,00		9327602345492	
13	186-12C	HOSE 12.5MM SILVAN AG DEL BLACK	1,00	SOLD PER MTR	9327602011199	
14	187-HS06	HOSE CLAMP SUIT12MM HOSE	1,00		9327602053304	
15	361-8-034-PK	SHURFLO NUT&ELBOW 1/2in 2PK	1,00		9327602002234	
16	GC00100001	ELEMENT BLUE 50MESH	1,00		9327602033740	
17	BM8L70	BOLT ONLY 8X70 4.6 ZP	1,00		0000000175364	
18	TR10TUBU	REPLACEMENT 4.1-3.5x4 TUBE ONLY BENT VALVE BUNNINGS	1,00	TUBE ONLY	9337027032730	
20	186-12C	HOSE 12.5MM SILVAN AG DEL BLACK	1,00	SOLD PER MTR	9327602011199	
21	NM8NY	NUT NYLOC M8 ZP DIN985	1,00		9327602044364	
22	187-MH05	HOSE CLAMP SUIT10MM HOSE	1,00		9327602014961	

TR25-2 20L RECHARGEABLE UPRIGHT TROLLEY SPRAYER

N.	Code	Description	Qty	Note	EAN CODE	LIST PRICE
23	410-51	SPOTJET JOLLY GUN PACKAGED	1,00		9337027027798	
24	186-10D	HOSE 10MM SILVAN AG DEL BLACK	6,00		9327602001619	
25A	382-050	CAP DRAIN BUNG SUIT REDLINE	1,00		0000000341509	
25	G40002	GASKET RUBBER 33X21X2	1,00		0000000194303	
2	382-513	WHEEL ASSEMBLY TR25-2	1,00		9327602345508	