

 **XSERIES**

**PRECISION
SMALL SEED
DRILLS**



 **STANHAY**


ENGLISH

A dedicated single line row unit offering a more economical solution for those growers who do not require multi-line performance. Every aspect of the row is designed for easy and precise adjustment to give uniformity of seed depth and seed soil contact, ensuring regular and even germination in all soil conditions.

Choice of hoppers capacities - here shown with a narrower hopper and extension.

Choice of 4 interchangeable final drive sprockets to achieve different seeding rates on different rows: -25% / +6% / +17%.

Weight take off spring allows up to 60kg of reduced downforce on the row.

Row unit latch up via simple mechanism that can be operated by single person.

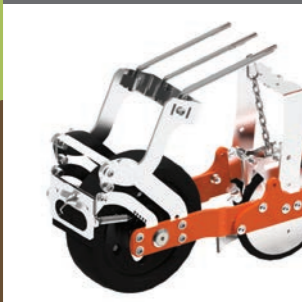
'Long' parallel link for precise ground following.

Reliable 2 stage chain drive.

Infinitely adjustable depth control over a 90mm range.

Optional rear wheel rake to prevent smooth surface being left behind to reduce chances of capping. Tines can be adjusted in height and angle to suit conditions. Can be easily folded over to be 'out of work' or for transport.

Manually operated row unit clutch in an easily accessible location to disengage rows in seconds.



Weight of row spread evenly over front and rear wheels.

Choice of rubber, stainless or cage wheels all complete with sprung scrapers.

Clod Deflector (not shown) - an optional floating clod deflector in front of the front wheel is available to move larger clods or stones out of the row prior to the front wheel and is available in two width options 150mm or 190mm.



Single arm coverer with adjustable lower half to set distance between the arm and the line of seed. The working depth of the arm and the downforce of the arm can all be adjusted. The arm can also be latched out of work if not required.

Large 190mm diameter rubber tyred single line press wheel for optimum rolling in a range of conditions, also includes sprung rubber scraper. Depth can be set or the wheel latched out of work via the chain adjustment system.

Latest version of the Stanhay metering unit optimised for single line work featuring a 'knife edge' seed ejection system. The metering unit can be opened easily without the need for tools.

Sharp edged opener disc (150mm) to cut through trash and hard ground before the coulter eliminating potential row unit bounce from obstructions in the row. Three fixed depth positions relative to the coulter are available (-10mm, 0mm, +10mm).

A multiline row unit capable of seeding 1-4 lines of seed from each row. Every aspect of the row is designed for easy and precise adjustment to give uniformity of seed depth and seed soil contact, ensuring regular and even germination in all soil conditions.

Optional rear wheel rake to prevent smooth surface being left behind to reduce chances of capping. Tines can be adjusted in height and angle to suit conditions. Can be easily folded over to be 'out of work' or for transport.



Manually operated row unit clutch in an easily accessible location to disengage rows in seconds.



Choice of hoppers capacities - here shown with a standard 2 litre hopper.

Choice of 4 interchangeable final drive sprockets to achieve different seeding rates on different rows: -25% / +6% / +17%.

Weight take off spring allows up to 60kg of reduced downforce on the row.

Row unit latch up via simple mechanism that can be operated by single person.

'Long' parallel link for precise ground following.

Reliable 2 stage chain drive.

Infinitely adjustable depth control over a 90mm range.



Weight of row spread evenly over front and rear wheels.

Choice of rubber, stainless or cage wheels all complete with sprung scrapers.

Clod Deflector (not shown) - an optional floating clod deflector in front of the front wheel is available to move larger clods or stones out of the row prior to the front wheel and is available in two width options 150mm or 190mm.



A choice of drag, single or double arm coverers with adjustable lower half to set distance between the arm and the line of seed. The working depth of the arm and the downforce of the arm can all be adjusted. The arm can also be latched out of work if not required.

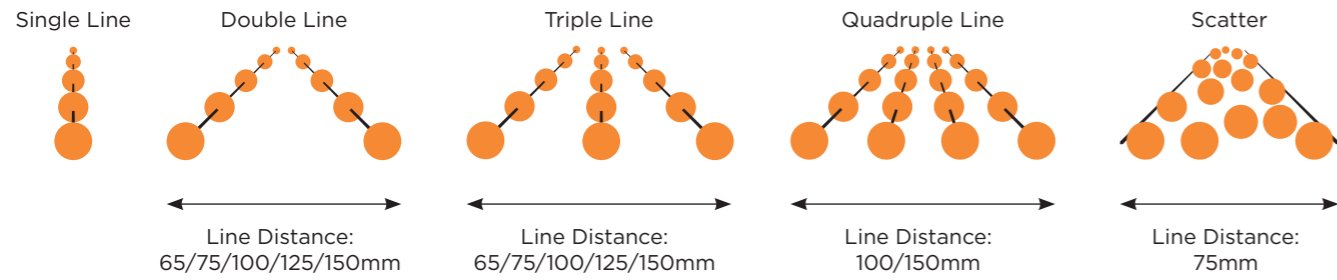
Choice of 145mm diameter seed press wheels in solid stainless or with a rubber tyre complete with sprung scrapers. Available to match all multiline setups where depth can be set or wheels latched up out of work via the chain adjustment system.

Latest version of the Stanhay metering unit optimised for multi-line line work featuring a 'knife edge' seed ejection system. The metering unit can be opened easily without the need for tools.

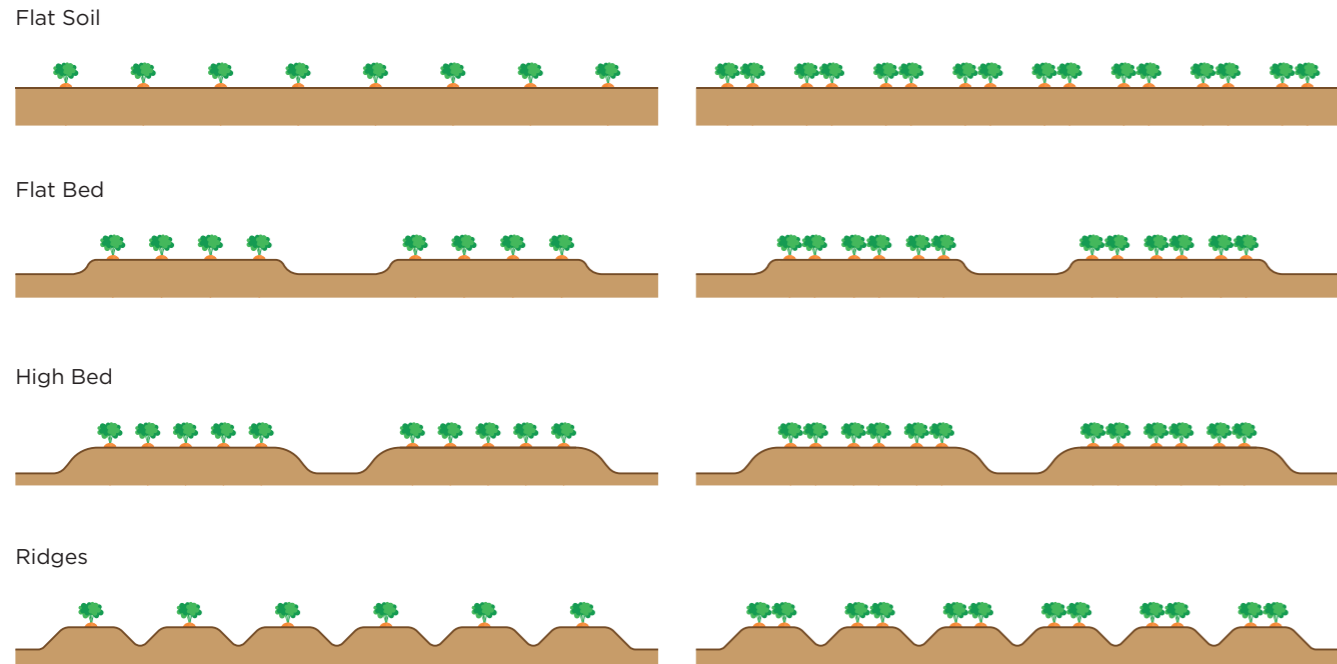
PLANTING LAYOUTS

The machines can be specified for any number of different types of planting either in flat field conditions or on ridges and beds. Each row can be specified to achieve a wide variety of different planting patterns.

ROW UNIT POSSIBILITIES

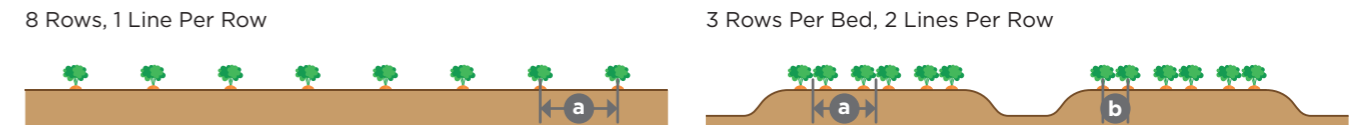


MACHINE LAYOUT POSSIBILITIES

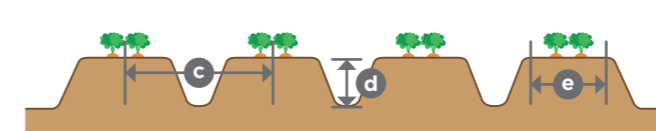


KEY LAYOUT TERMINOLOGY

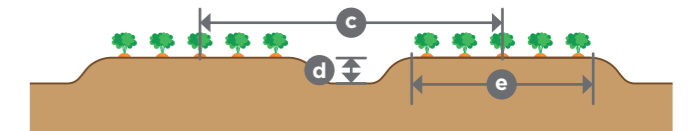
NUMBER OF ROWS / NUMBER OF LINES



RIDGE DIMENSIONS

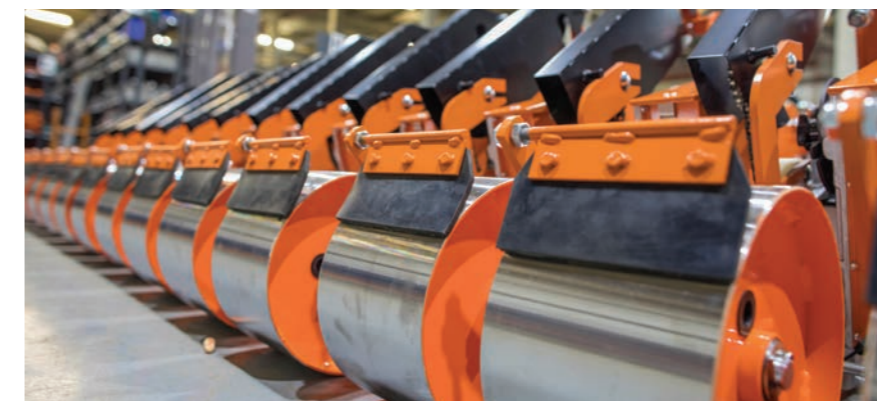
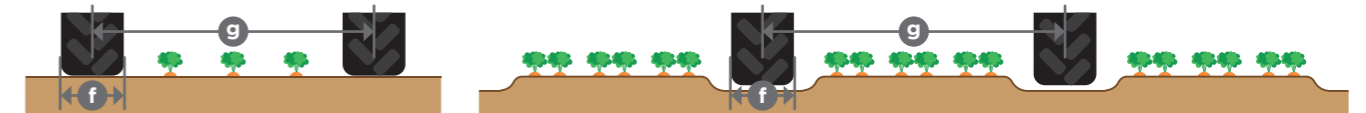


BED DIMENSIONS



WHEEL TRACK / WIDTH

The wheel units can be adjusted in height to enable planting on flat ground or on beds/ridges. PLEASE NOTE: Minimum row width is determined by the wheel options chosen.



- KEY**
- a Row Distance
 - b Line Distance
 - c Bed/Ridge Distance
 - d Bed/Ridge Height
 - e Bed/Ridge Top Width
 - f Tyre Width
 - g Track Width

THE METERING UNIT AND OPTIONS

The industry leading Stanhay small seed vacuum metering unit has been continually developed and improved over the last 30 years to give unmatched versatility and performance in the field.

The X Series metering unit features further advancements to improve performance.

[1] SEED DISCS

Thin seed discs flex to give a perfect air tight seal and consistent seed pickup while reducing the chance of seeds sticking in seed holes (see pages 10 & 11 for more).

[3] SINGULATORS

Simple design to enable precise singulation of up to 4 lines of seed with one cam adjustment, they also feature a simple calibration adjustment. They ensure all metering units perform the same on the same singulation setting. Various versions are available for different seed types.



[2] GALLERY BLOCK

A hard wearing plastic moulding that directs vacuum and pressure to exactly where they are needed for high quality seed pickup and disc cleanout after the seed release. Easily replaced when required with a simple paper gasket system to seal the gallery block into the metering unit.

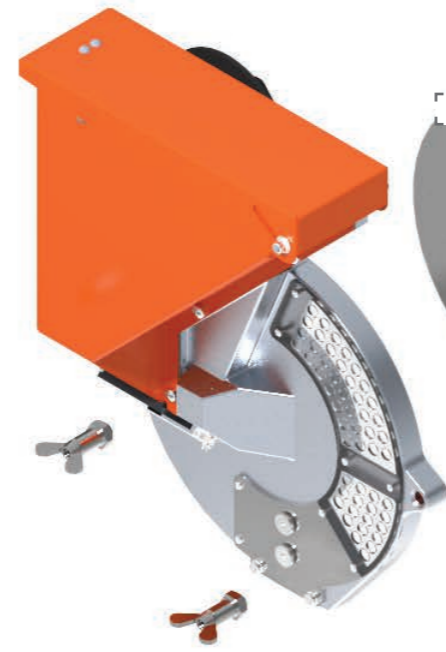


X10 Gallery Block

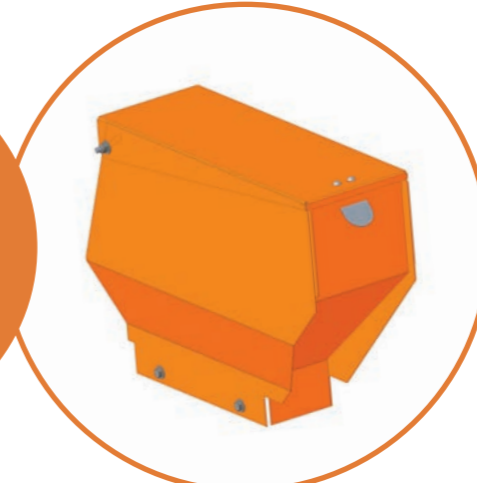


X30 Gallery Block

A large area of the disc is viewable to aid initial setup and check performance.



Choice of hopper sizes from 1L-8L. Easy to fully empty seed hoppers via plastic trapdoor at base of the hopper.



Highly accurate, durable and corrosion resistant alloy castings



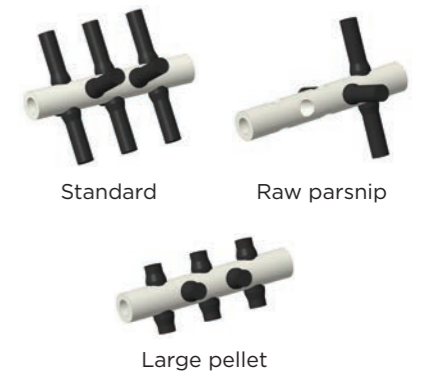
CLUTCH
An easily accessible manually operated clutch on the metering unit makes it possible to engage and disengage rows within seconds.



TOOLLESS ENTRY
Splitting the metering unit via the hand turn conical nut makes setup and maintenance even faster and ensures a perfect connection of the two metering unit halves.

[4] AGITATORS

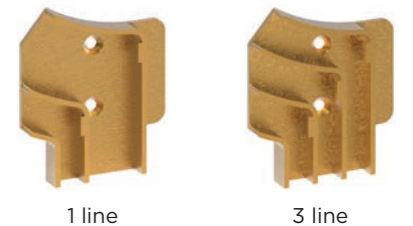
Easily adjustable agitator system to ensure seed keeps flowing and does not bridge. They are easily replaced and adjustable to suit any seed type.



Standard Raw parsnip Large pellet

[5] SPLITTERS

Sprung loaded splitters keep contact with the face of the disc at all times and feature a knife edge ejection system to ensure consistent seed drop from the disc.



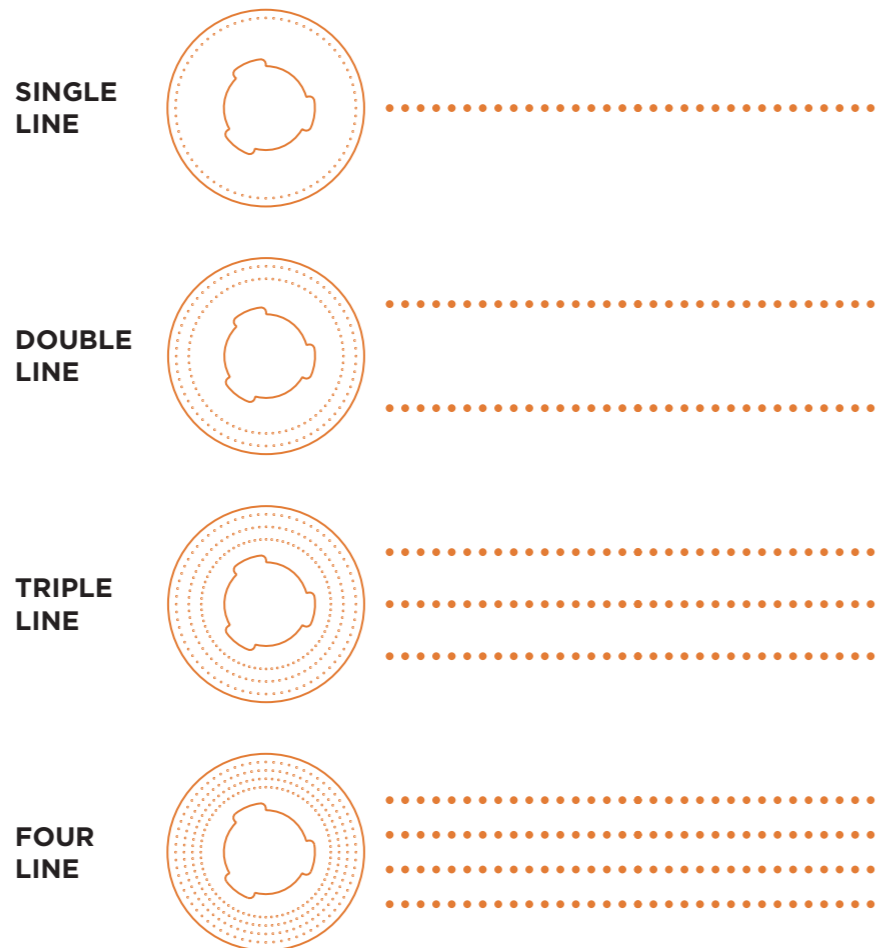
1 line 3 line

THE METERING UNIT SEED DISCS

The selection of the correct seed disc is vital to ensure hole size matches the seed type and size; the number of holes in the disc and the number of lines planted per row.

Newly developed Stainless Steel seed discs offer improved life and corrosion resistance while maintaining the benefits of thin disc technology. Thin discs can flex to maintain a perfect seal within the metering unit while the flow dynamics of air through a thin aperture in the seed disc offer optimum pickup performance of small seeds. This effect also improves consistency of seed drop and reduces chance of blockages. The discs can also be run on either side which can further improve the lifetime of the disc, a feature unique to thin disc technology.

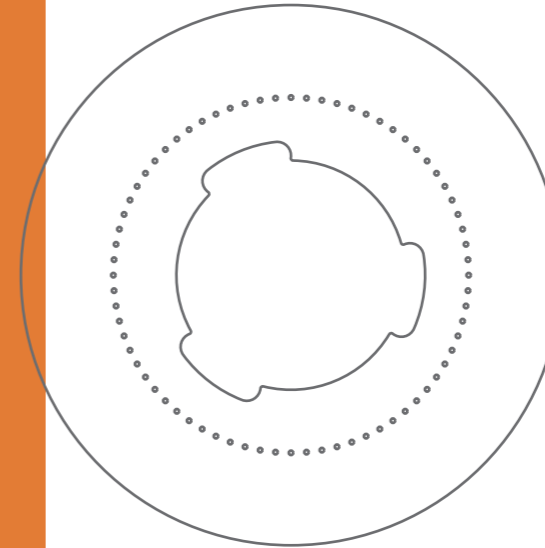
An example of disc terminology is: 0.6x96x3L or 0.8x96/96/96



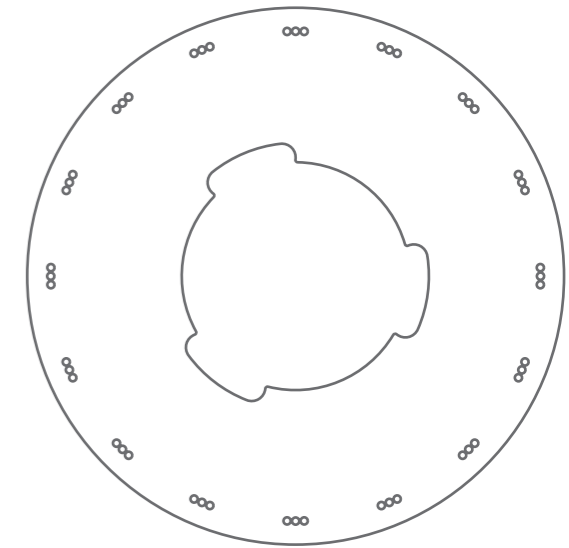
Just some of the seeds you can handle are listed below:

- Alfalfa
- Anise
- Aramanthus
- Asparagus
- Balm
- Basil
- Borage
- Brassicas
- Broccoli
- Cabbage
- Cantaloupe
- Caraway
- Carrot
- Carthamus
- Cauliflower
- Celery
- Chervil
- Chicory
- Chives
- Chrysanthemum
- Coriander
- Courgette
- Cucumber
- Cumin
- Delphinium
- Dill
- Fennel
- Fenugreek
- Helichrysum
- Larkspur
- Leek
- Lettuce
- Marjoram
- Melon
- Millet
- Mustard
- Nigella Black Pod
- Nigella Oreintalis
- Oilseed Rape
- Onion
- Paprika
- Parsley
- Parsnip
- Peas
- Pepper
- Pinus Radiata
- Poppy
- Radish
- Red Beet
- Rosemary
- Sage
- Sorghum
- Sorrel
- Soya
- Spinach
- Sugarbeet
- Swede
- Sweet Corn
- Sweet William
- Thyme
- Tomato
- Turnip
- Watermelon
- Wheat

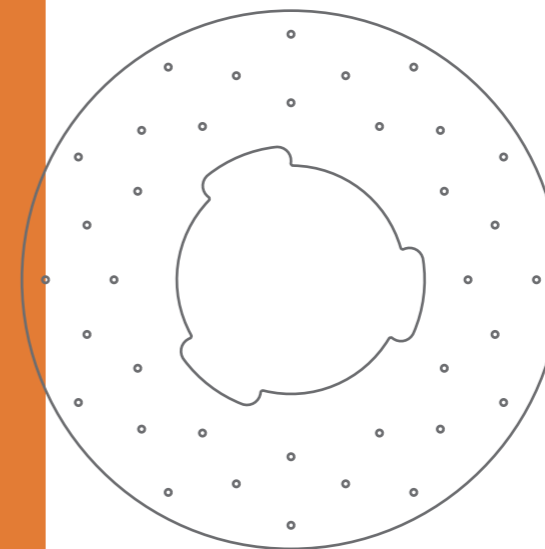
NON-STANDARD SEED DISCS



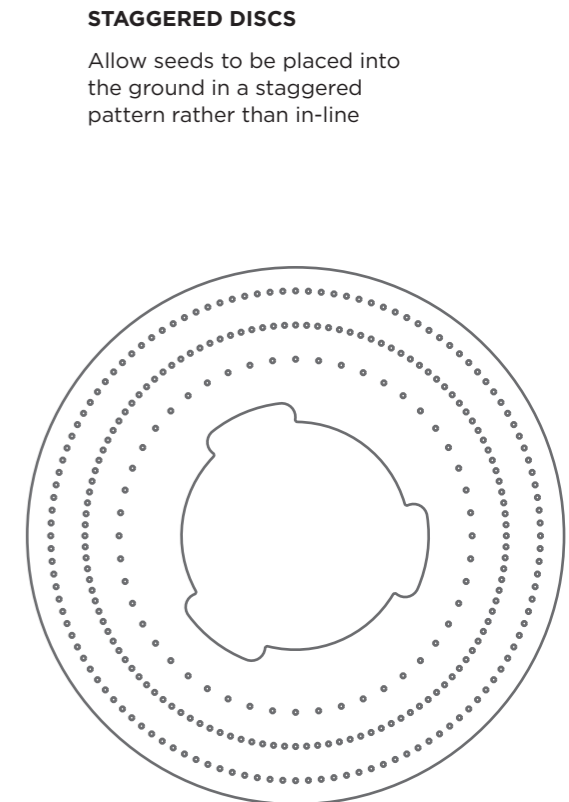
INSIDE LINE DISCS
These allow a single line of seed to be planted with a triple line coultter only by changing the seed disc.



GROUP DISCS
These allow 2 or 3 seeds to be planted at a station, suitable for particularly high value crops where the growers want to ensure 1 plant per station and will thin the crop post germination.



VARIABLE RATE DISCS
Allows a different rate of seed to be applied in each line of seed from the metering unit, commonly used by root crop growers to apply a lower rate of seed on the middle line of a 3 line setup.

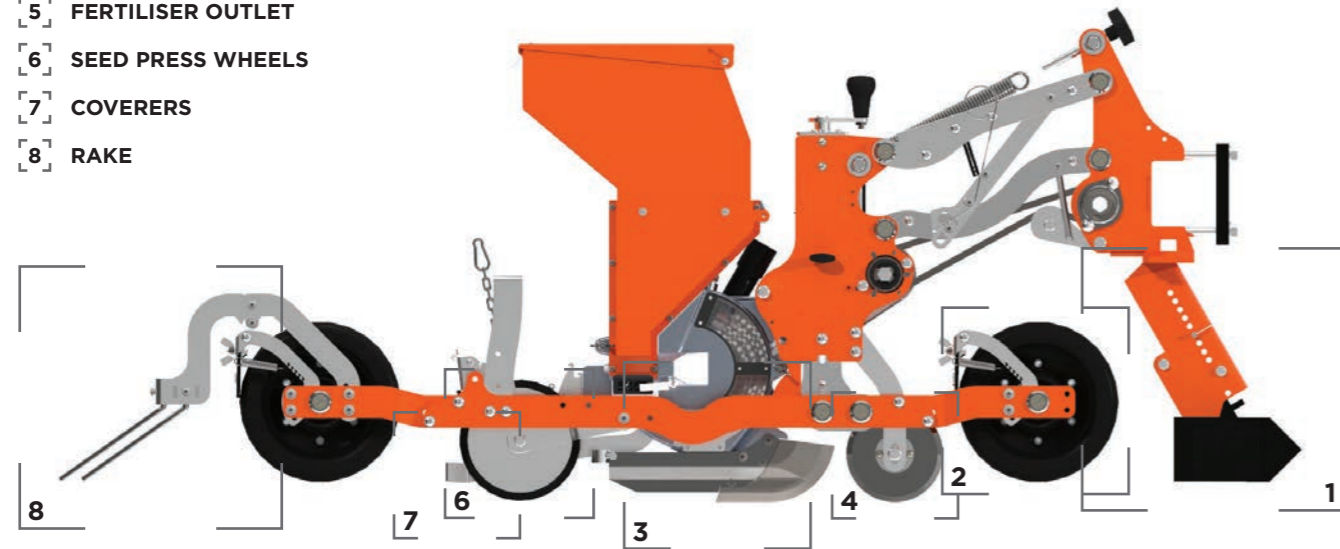


STAGGERED DISCS
Allow seeds to be placed into the ground in a staggered pattern rather than in-line

X10 ROW UNIT OPTIONS

Coulter options can be found on pages 16 & 17.

- 1 CLOD DEFLECTOR
- 2 ROW UNIT WHEELS
- 3 COULTERS
- 4 OPENER DISC
- 5 FERTILISER OUTLET
- 6 SEED PRESS WHEELS
- 7 COVERERS
- 8 RAKE



CLOD DEFLECTORS		Description	Width (mm)
1.1	Standard	Floating clod deflector to clear row ahead of front wheel.	150 160

ROW UNIT WHEELS		Description	Width (mm)
2.1	Cage Wheel	For use on soil prone to capping. Leaves a broken surface on the seed bed. Rubber scraper kit included.	120
2.2	Stainless Steel	Recommended for general purpose drilling work, leaves a flat surface. Plastic scraper kit included.	120
2.3	FZP	Flat square edged zero pressure wheel suitable for most conditions. Rubber scraper kit included.	80 145

OPENER DISC		Description	Width (mm)
4.1	Single Line	Pre coulter opener disc to cut through trash/clods on surface prior to the coulter.	-

FERTILISER OUTLET		Description	Width (mm)
5.1	Fishtail	Fishtail fertiliser outlet behind coulter	65 100

SEED PRESS WHEELS		Description	Width (mm)
6.1	Large diameter Single Line	Large diameter zero pressure wheel for reduced rolling resistance. Includes rubber scraper kit.	20
6.2	Single Line	Small zero pressure or stainless wheel that follows the coulter furrow. Includes scraper kit on each wheel.	20

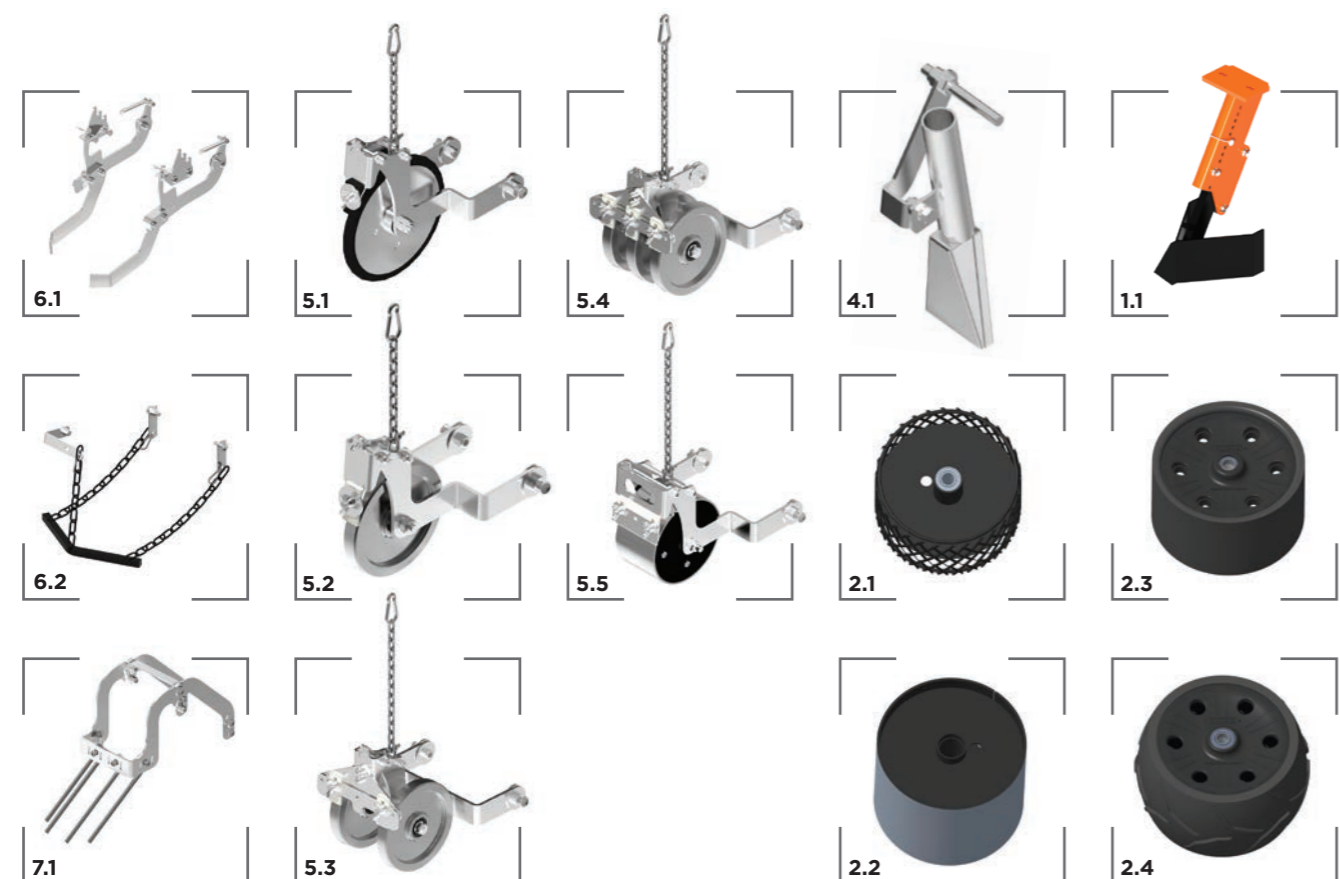
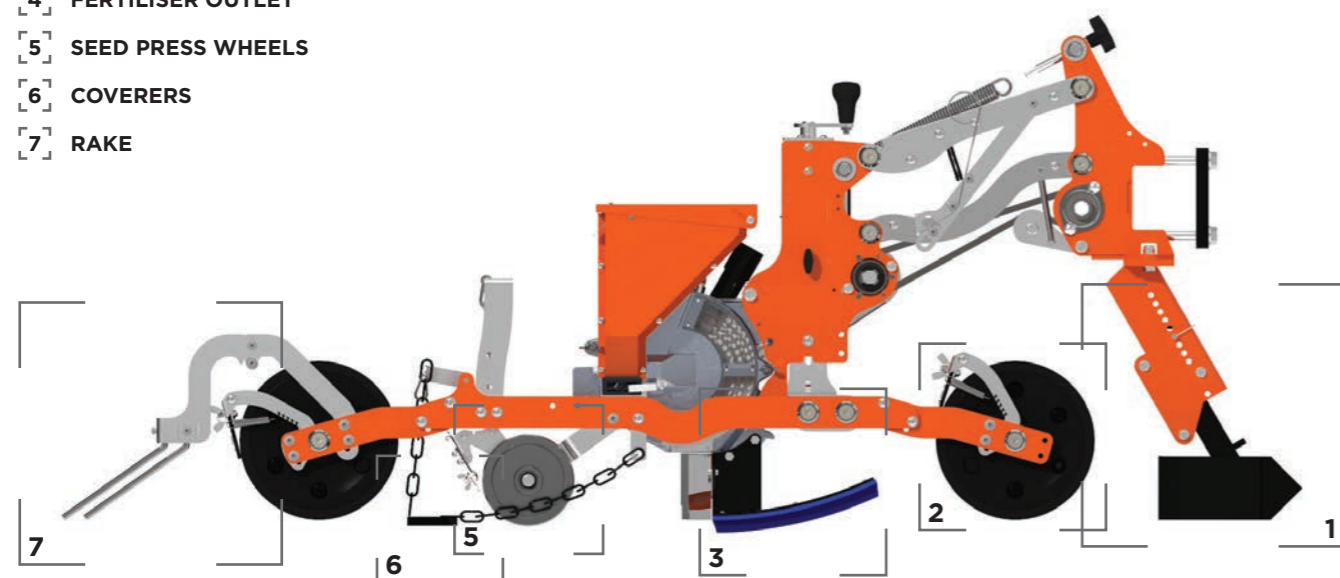
COVERER TYPES		Description	Width (mm)
7.1	Arm	1 or 2 adjustable sprung loaded arms to fill furrow.	-
7.2	Drag	Simple chain and V shaped profile to drag over soil and fill furrow.	-

RAKES		Description	Width (mm)
8.1	Foldable Rake	Finger rake system to leave a broken rather than flat surface behind machine. Easily rotated out of work when not required.	-

X30 ROW UNIT OPTIONS

Coulter options can be found on pages 16 & 17.

- [1] CLOD DEFLECTOR
- [2] ROW UNIT WHEELS
- [3] COULTERS
- [4] FERTILISER OUTLET
- [5] SEED PRESS WHEELS
- [6] COVERERS
- [7] RAKE



CLOD DEFLECTORS	Description	Width (mm)
-----------------	-------------	------------

1.1	Standard	Floating clod deflector to clear row ahead of front wheel.	150 160
-----	-----------------	--	------------

ROW UNIT WHEELS	Description	Width (mm)
-----------------	-------------	------------

2.1	Cage Wheel	For use on soil prone to capping. Leaves a broken surface on the seed bed. Rubber scraper kit included.	120 160 200
2.2	Stainless Steel	Recommended for general purpose drilling work, leaves a flat surface. Plastic scraper kit included.	120 160 200
2.3	FZP	Flat square edged zero pressure wheel suitable for most conditions. Rubber scraper kit included.	80 145 170 200
2.4	TZP	Treaded Zero Pressure wheel to leave tyre pattern in soil after row, self cleaning.	165

FERTILISER OUTLET	Description	Width (mm)
-------------------	-------------	------------

4.1	Fishtail	Fishtail fertiliser outlet behind coulter.	65 100
-----	-----------------	--	-----------

SEED PRESS WHEELS	Description	Width (mm)
-------------------	-------------	------------

5.1	Large diameter Single Line	Large diameter zero pressure wheel for reduced rolling resistance. Includes rubber scraper kit.	20
5.2	Single Line		
5.3	Double Line	Small zero pressure or stainless wheel that follows the coulter furrow. Includes a scraper kit of each individual press wheel.	20
5.4	Triple Line		
5.5	Wide	Single wider stainless steel press wheel with plastic scraper kit.	65 80

COVERER TYPES	Description	Width (mm)
---------------	-------------	------------

6.1	Arm	1 or 2 adjustable sprung loaded arms to fill furrow.	-
6.2	Drag	Simple chain and V shaped profile to drag over soil and fill furrow.	-

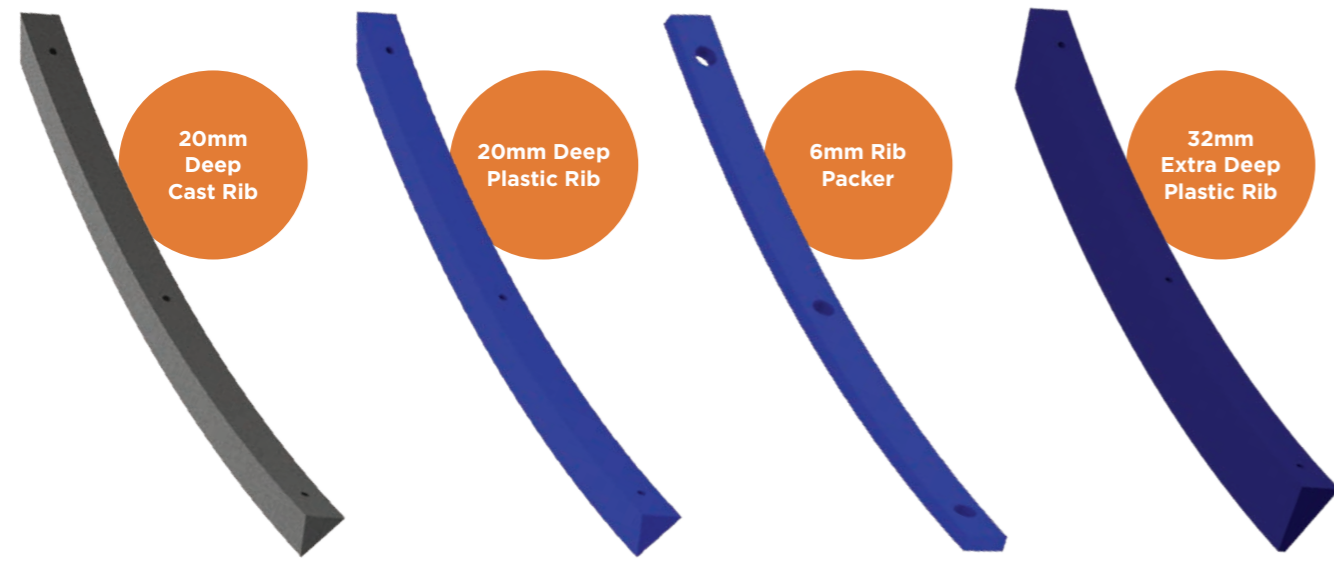
RAKES	Description	Width (mm)
-------	-------------	------------

7.1	Foldable Rake	Finger rake system to leave a broken rather than flat surface behind machine. Easily rotated out of work when not required.	-
-----	----------------------	---	---

ROW UNIT COULTERS

SINGLE LINE	Description	
3.1 Single Line Universal Cast Tip	Replaceable cast tip. Stainless steel side plates. Recommended for general purpose work.	
3.2 Single Line Universal Ceramic Tip	Replaceable ceramic tip. Stainless steel side plates. Hard wearing. Recommended for sticky and/or abrasive soils.	
3.3 Single Line Hyline Ski	Replaceable polymer base with replaceable polymer or cast rib. Polymer rib is best suited to sticky and/or trashy non-abrasive soils while the cast rib is better suited where the soil is more abrasive. Ribs are 20mm deep as standard but up to two optional 6mm packing ribs can be fitted to increase seeding depth.	
3.4 Single Line Loline Ski	Replaceable polymer base with replaceable polymer or cast rib. Polymer rib is best suited to sticky and/or trashy non-abrasive soils while the cast rib is better suited where the soil is more abrasive. Ribs are 20mm deep as standard but up to two optional 6mm packing ribs can be fitted to increase seeding depth.	

NOTE: Single line coulters can be fitted to chassis in Hyline configuration using Hyline Adaptor for single line shoes.



MULTILINE	Description	Width (mm)	
3.5 Loline Shallow Fin	Replaceable cast base. Recommended for fine, cloddy or stony seedbeds: (for use where hyline chassis configuration is not achievable).	2 Line: 65/75mm 3 Line: 65/75mm	
3.6 Hyline Deep Fin	Replaceable cast base. Recommended for fine clean seedbeds: (deep fin shoes produce minimum soil disturbance).	2 Line: 75/100/125mm 3 Line: 75/100/125/150mm	
3.7 Hyline Shallow Fin	Replaceable cast base. Recommended for cloddy and/or stony seedbeds: (shallow fin shoes can handle stones and clods without blocking).	2 Line: 65/75mm 3 Line: 65/75/100mm	
3.8 Multiline Hyline Ski	Replaceable polymer base with replaceable polymer or cast rib. Polymer rib is best suited to sticky and/or trashy non-abrasive soils while the cast rib is better suited where the soil is more abrasive. Ribs are 20mm deep as standard but up to two optional 6mm packing ribs can be fitted to increase seeding depth.	2 Line: 65/75/100/125/150mm 3 Line: 65/75/100/125/150mm 4 Line: 100/125/150mm	
3.9 Multiline Loline Ski	Replaceable polymer base with replaceable polymer or cast rib. Polymer rib is best suited to sticky and/or trashy non-abrasive soils while the cast rib is better suited where the soil is more abrasive. Ribs are 20mm deep as standard but up to two optional 6mm packing ribs can be fitted to increase seeding depth.	2 Line: 75mm 3 Line: 75mm	
3.10 Knife Coulter	Single furrow scatter coulter	50mm 70mm	

Many of our coulters are offered in a "Hyline" or "Loline" configuration but which is best for you?

- **Loline** - For use in conditions in which fine soil particles do not (for the most part), become airborne and risk clogging the unit and the seed is regular and heavier.
- **Hyline** - Lifts the metering unit slightly higher thereby avoiding the airborne dust. This is also the coulter for lighter seed such as carrot that require a steeper drop for accuracy.

RIGID TOOLBARS

A variety of rigid toolbar systems are available to suit machines from 2m upto 9m+ with any number of rows. Versions capable of being fitted behind other cultivation equipment are also available. All toolbars can be completed with road lighting kits as required.



HD RIGID TOOLBAR

A double toolbar rigid frame suitable for larger drills up to 9m in width. This frame can be customised to suit bespoke machines and is capable of being fitted with multiple fans if required.



COMPACT RIGID TOOLBAR

Available with a hydraulic fan drive only this frame provides the smallest possible distance between the coulters and the machine pickup point, particularly suited for mounting behind cultivation equipment.



EXTENDED HEADSTOCK

Extended headstock system suitable for use when machines are used in combination with bed forming machinery.

Rigid toolbar systems are available for small, medium and large machine layouts.



STANDARD RIGID TOOLBAR

The standard rigid frame design which is highly customisable to a range of machine configurations allowing the use of both styles of fan.



FOLDING TOOLBARS

Two styles of folding toolbar are available to suit machines 6m and over with any number of rows. Hydraulically operated with mechanical locking systems for safe operation. All toolbars can be completed with road lighting kits for road transport.



COMPACT FOLDING TOOLBAR

The smaller of the two folding frames this is suitable for layouts with wider row spacings and allows a shorter folded height to be achieved in a lighter frame. With bolt on toolbars it can be adapted to work with a number of different machine layouts. Up to 6.5m working width can be folded to within 3.5m for road transport.



Folding toolbars all achieve a transport width of under 3.5m and can be equipped with full road lighting.



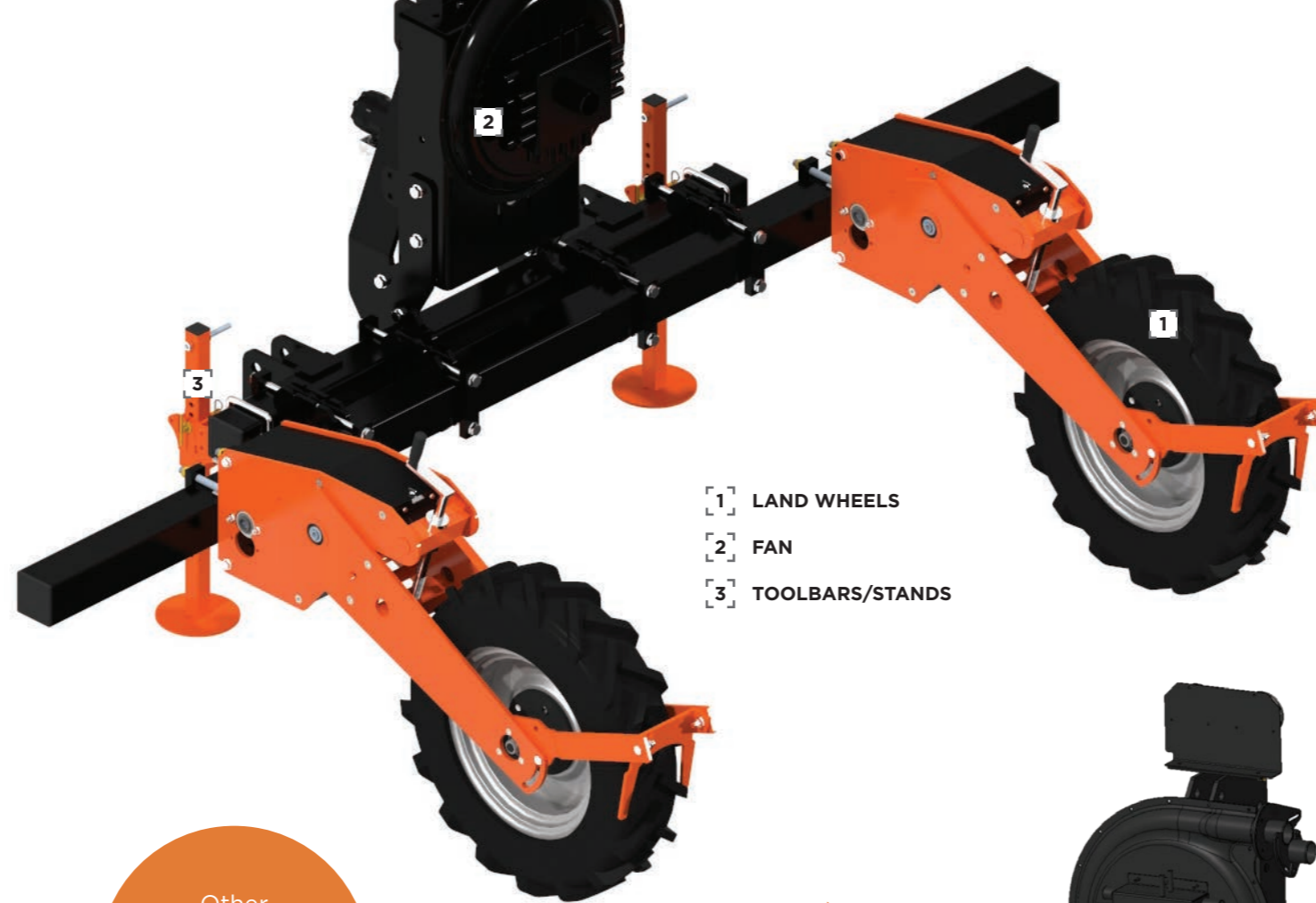
HIGH DENSITY FOLDING TOOLBAR

Designed with optimal geometry and increased load carrying capacity to allow machines with the tightest achievable row spacings to be folded from a 6.5m working width to under 3.5m for road transport. Bolt on toolbars make it easy to customise for every application and frames can be specified with or without float in the wings to allow for greater ground contour following ability.



DRILL COMPONENTS

Stanhay seed drills can be configured to suit almost any planting layout and crop. From the metering units and seed discs to the row units and frames, everything is uniquely configurable to the customers' requirements. This section details the options available for land wheels and fans together with accessories including road lighting kits and ridge wheels.



- [1] LAND WHEELS
- [2] FAN
- [3] TOOLBARS/STANDS

Other options could also be designed and fitted on request.



SPRING LOADED DRIVE WHEEL

STANDARD DRIVE WHEEL

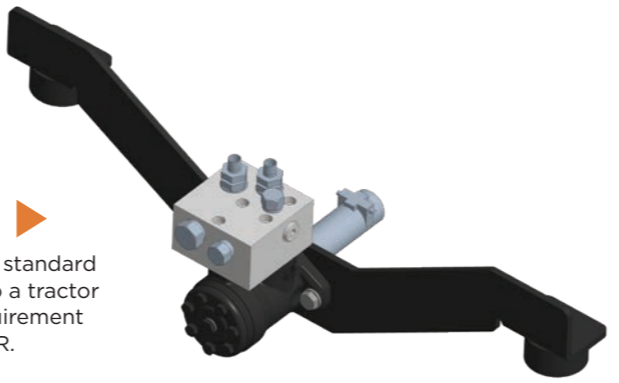
STANDARD DRIVE WHEEL
Supports the chassis of the drill and houses a 64 speed gearbox that is used to set the spacing of the seeds. Suitable for beds up to 300mm height. Wheel scraper kit included.
The standard support wheel is used in conjunction with the drive wheel to support the chassis. It cannot be used to drive metering units. Suitable for bed heights up to 300mm. Wheel scraper kit included.

SPRING LOADED DRIVE WHEEL
Used with triple bed drill configurations or uneven ground. Spring loaded to ensure a constant downforce to reduce wheel slip. Suitable for bed heights up to 300mm. Includes wheel scraper kit.
The spring loaded support wheel is used in conjunction with the drive wheel. Suitable for bed heights up to 300mm. Wheel scraper kit included.



VACUUM EMPTIER
Connects to the fan and uses the vacuum to empty the seed from the metering unit helping to reduce seed losses.

HYDRAULIC DRIVE
Retrofittable onto a standard fan and couples into a tractor spool valve. Oil requirement is 30 lpm @ 180 BAR.



17 RIB FAN
Standard fan for most configurations drilling small seed up to 12 rows. Available in 540rpm only.



26 RIB FAN
Offers increased vacuum and pressure for larger drill configurations or large seed capabilities. Available in either 540 or 1000rpm.

TRACK ERADICATOR TINES
Track eradicator tines can be fitted to remove tractor wheel marks prior to the drill. 1, 2 or 3 tines can be fitted which are adjustable in height and available with a chisel point or A-share. They can easily be fixed out of work when not required.

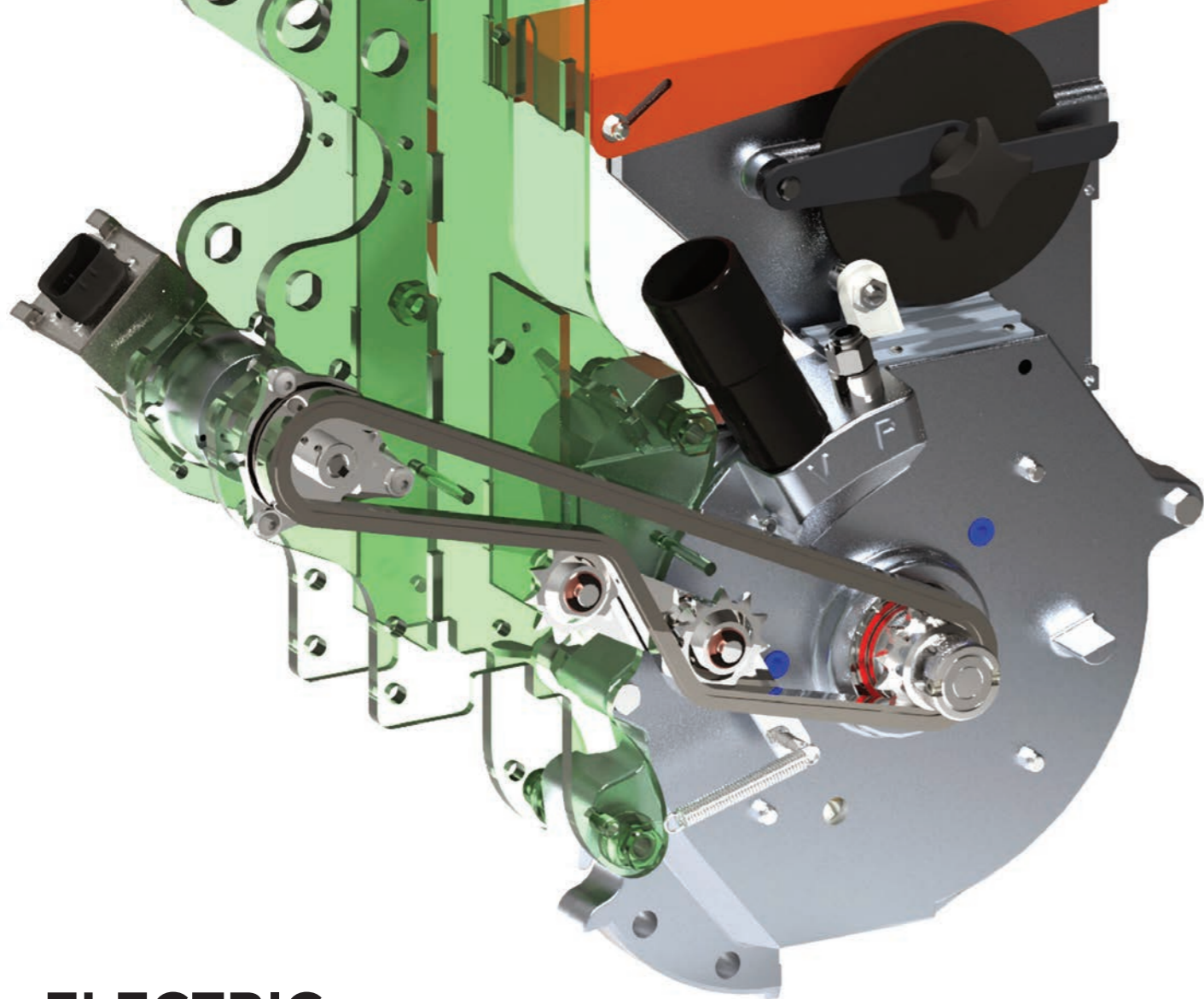


RIDGE WHEELS
For use when drilling on ridges. Guides the drill and ensures the row units follow the top of the ridges.



ROAD LIGHTING
LED road lighting kit can be fitted to rigid or folding toolbars. Reflective marker boards make the drill visible to other road users.

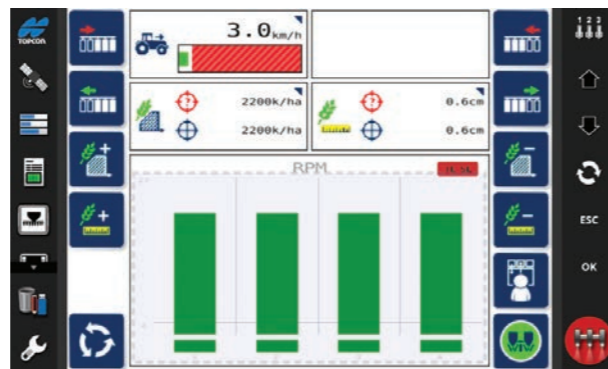




ELECTRIC DRIVE SYSTEM

Electric drive has been designed into this row unit from the outset and the motor is well protected and fitted centrally within the chassis meaning a 200mm minimum row width is still achievable. A fully ISOBUS compliant* electric drive system is available for 4-12 rows. This allows the drill to have section control and changes in seeding rate on the go.

The machine can be controlled from the ISOBUS terminal in the tractor cab where target seed rate, speed and individual row operation information will be displayed. From here the machine can be set and adjusted in minutes and combined with other implements, guidance systems and section control.

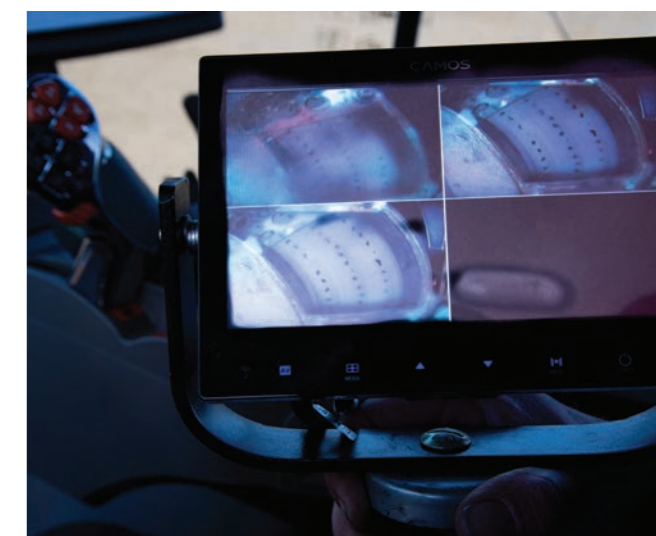
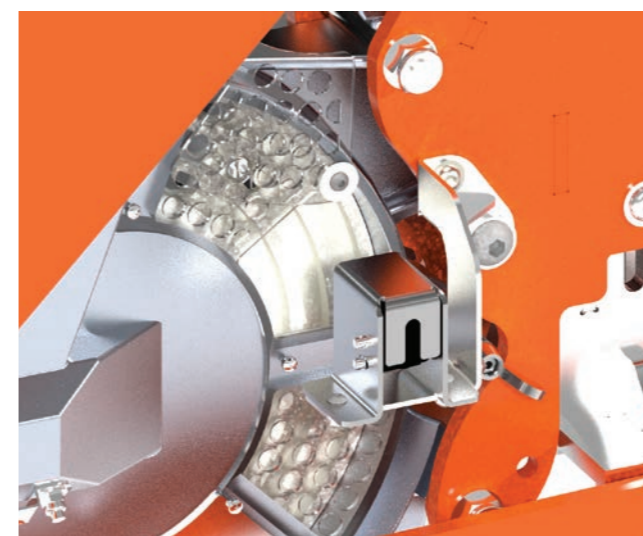


*Check with your Stanhay dealer or via the AEF website to confirm compatibility between specific implement and terminal combination

DISC EYE - CAMERA MONITORING SYSTEM

S XSERIES

Monitor every seed disc from the tractor with optional cameras fitted to each row. The live stream is fed back to the in tractor monitor allowing you to check seeding performance without the need to leave the seat giving that extra level of confidence that the machine is performing as desired when working with valuable seed types.

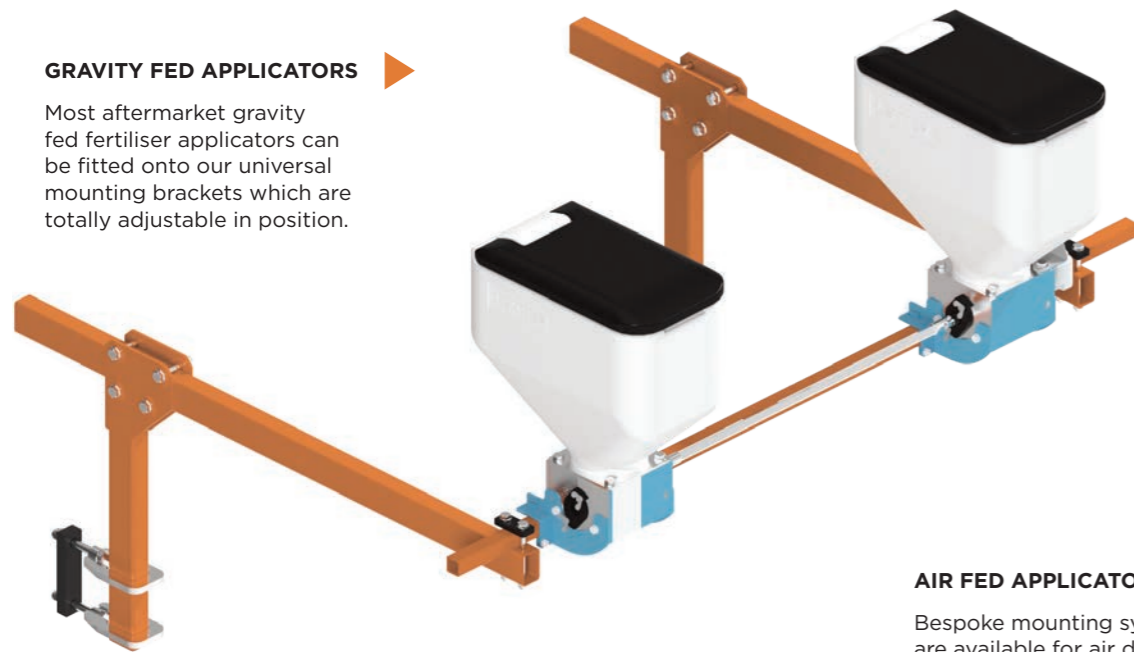


APPLICATOR SOLUTIONS

Stanhay can make provision to fit most aftermarket chemical or fertiliser applicator systems with different mounting brackets. Placement of the product can be achieved with our own fishtail or straight fertiliser outlets at the coulter or mounting systems can be added to suit most other aftermarket systems.

GRAVITY FED APPLICATORS

Most aftermarket gravity fed fertiliser applicators can be fitted onto our universal mounting brackets which are totally adjustable in position.



AIR FED APPLICATORS

Bespoke mounting system are available for air driven applicators including access platforms for safe filling.



GRAVITY FED APPLICATOR



AIR FED APPLICATOR





 XSERIES




TECHNICAL SPECIFICATION

	X10	X10 E-DRIVE	X30	X30 E-DRIVE
PLANTER TYPE	AIR	AIR	AIR	AIR
SEED TYPE	NATURAL + PELETED	NATURAL + PELETED	NATURAL + PELETED	NATURAL + PELETED
MULTILINE CAPACITY	Single Line only	Single Line only	Upto 4 lines per row	Upto 4 lines per row
HOPPER CAPACITY (L)	1/2/6/8	1/2/6/8	1/2/6/8	1/2/6/8
MIN/MAX SEED SIZE (mm)	1-10	1-10	1-10	1-10
MIN/MAX NUMBER OF ROWS PER MACHINE	2-18+	2-18+	2-18+	2-18+
MINIMUM ROW SPACING	180	200	250	250
APPROX ROW UNIT WEIGHT (kg)	60-65	60-65	72-85	72-85
ROW UNIT LENGTH	1480	1480	1490	1490
DEPTH CONTROL RANGE	90mm	90mm	90mm	90mm
COVERER OPTIONS	Arm or Drag	Arm or Drag	Arm or Drag	Arm or Drag
SEED PRESS WHEELS AVAILABLE	YES	YES	YES	YES
ROW UNIT DOWN FORCE ADJUSTMENT	YES	YES	YES	YES
DRIVE SYSTEM	28 SPEED CHAIN DRIVE	ELECTRIC MOTOR DRIVE	28 SPEED CHAIN DRIVE	ELECTRIC MOTOR DRIVE
LANDWHEEL TYRES	6.00-16	6.00-16	6.00-16	6.00-16
PTO FAN	540RPM or 1000RPM	540RPM or 1000RPM	540RPM or 1000RPM	540RPM or 1000RPM
LINKAGE CATEGORY	CAT 2/3	CAT 2/3	CAT 2/3	CAT 2/3
CLUTCH	Manual	Electric	Manual	Electric


SPECIAL PROJECTS TEAM

The X-Series has been designed to be highly modular and adaptable to suit a huge range of planting setups.

Options outside the standard offering are possible and engineers within our 'special projects team' can create bespoke modifications to suit almost any scenario. This can include different wheels, covering solutions, chemical and fertiliser application system and pre couler clod or trash clearance. You can even use the row unit in conjunction with other applicator technology to benefit from precise depth control for application of other products and seed types.



96 Line 3 bed air drill with front mounted foldable roller drilling spinach for a UK grower in the West Midlands.



Bespoke hydraulically driven bed drill with tandem metering unit system. Developed for high density salad cropping in California, USA.

Stanhay leads the world in the design and manufacture of precision seed drills for every kind of crop. Our reputation is built on innovation, quality and performance that delivers the results growers expect.



BCS House, Pinfold Road, Bourne, PE10 9HT, UK
T: +44 (0)1778 392 303 E: info@stanhay.com
www.stanhay.com